

## User Instruction Manual

Hoyer® Advance

To avoid injury, read user manual prior to use.

## Manuel de l'utilisateur

Hoyer® Advance

Afin d'éviter tout accident, veuillez lire attentivement la notice avant utilisation.

## Manual de Instrucciones

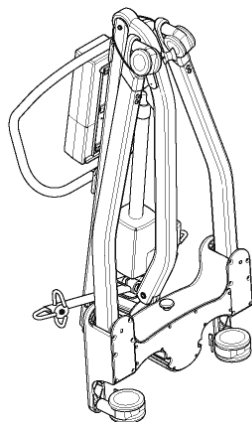
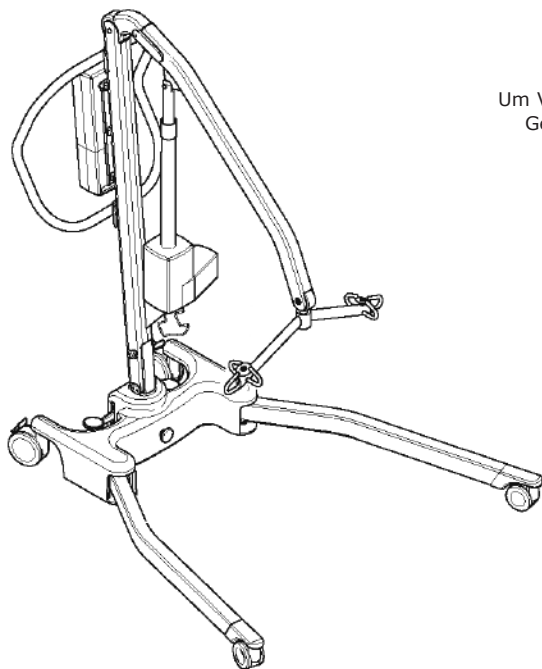
Hoyer® Advance

Para evitar posibles daños, lea previamente el manual de usuario.

## Benutzerhandbuch

Hoyer® Advance

Um Verletzungen zu vermeiden, lesen Sie bitte die Gebrauchsanweisung vor der ersten Benutzung.

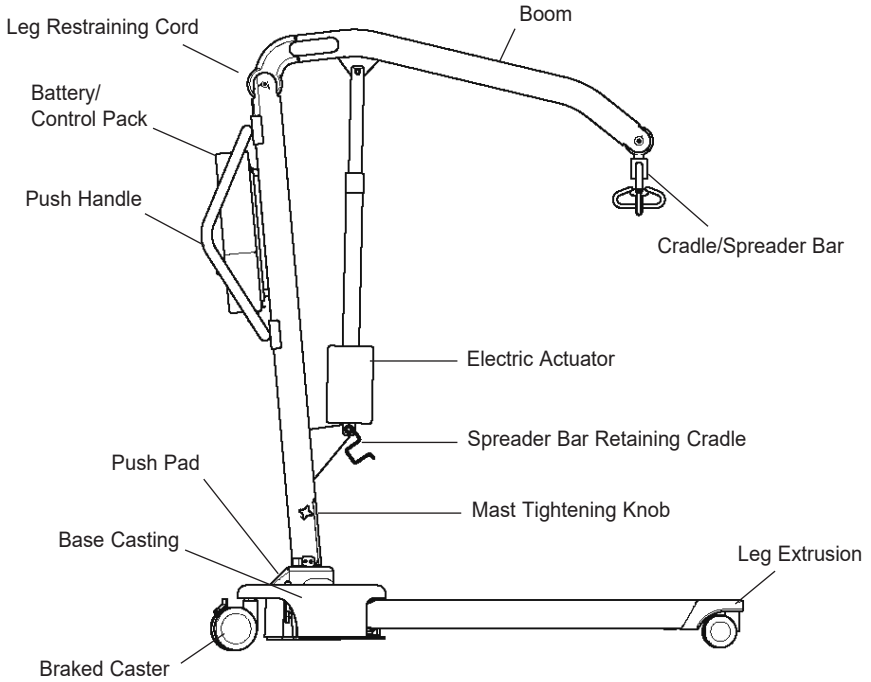


## Contents

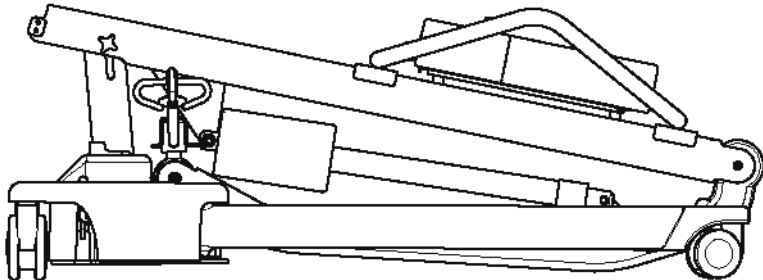
1. Hoyer Advance Patient Lift .....	3
2. Introduction: The Hoyer Advance Patient Lift .....	4
3. Assembly and Commissioning Instructions .....	5
4. Disassembly .....	7
5. Safety Precautions .....	10
6. Control Box & Handset .....	12
7. Operating Instructions .....	13
8. Maintenance Schedule.....	16
9. Technical Specifications.....	18
10. Warranty.....	21

# 1. The Hoyer Advance Patient Lift

## Hoyer Advance lift (ready for use)



## Hoyer Advance lift (storage position)



## 2. Introduction: The Hoyer Advance Patient Lift

The Hoyer Advance is available in two versions, hydraulically operated and electrically operated. This manual covers both Advance models. Each lift is fully assembled, load tested and certified before being packed/shipped.

The packing consists of a strong, purpose built carton and is used for both export and domestic markets to ensure the safe arrival of the lift. A number of documents are supplied in a wallet packed with each lift and should be kept safely for future reference.

- TEST CERTIFICATE
- DEALER GUARANTEE CARD
- USER MANUAL
- CUSTOMER SATISFACTION CARD

The TEST CERTIFICATE is an important document and should be kept for reference purposes. To properly maintain your lift please refer to the maintenance schedule included in this document. If you are at all unsure what your country's servicing requirements are, please check with your dealer and/or a local government agency.

**The CE mark:** The Hoyer Advance carries the CE mark and complies with the following EC directives:



- Medical Device Directive (93/42/EEC)
- EMC Directive (89/336/EEC)
- Low Voltage Directive (73/23/EEC)

### Statement of Intended Use

The intended use of this lifting device is for the safe lifting and transfer of an individual from one resting surface to another (such as a bed to a wheelchair). Joerns Healthcare recommends that the transfer of a patient is fully risk assessed and conducted safely over a short distance only.

The Hoyer Advance is suitable for patients in the SITTING, SITTING/RECUMBENT and RECUMBENT positions.

The Hoyer Advance is designed to support and promote safe patient handling and transfer for both the patient and carer. It can be folded without the use of tools enabling it to be easily stored in environments where space is limited. The Hoyer Advance can also be separated into two sections to facilitate onward transportation in a vehicle with a suitably sized boot.

The Hoyer Advance patient lift incorporates a 6-point spreader bar and is designed to be used in conjunction with the Hoyer range of slings. The examples of slings suitable for use with this device are listed as follows:

- Hoyer Quickfit
- Hoyer Full Back
- Hoyer Quickfit Deluxe
- Hoyer Long Seat
- Hoyer Access sling
- Hoyer Silkfit

### Expected Service Life

Hoyer Professional lifts are designed and tested for a minimum service life of ten (10) years, subject to the use and maintenance procedures stated in this manual. Use, other than in accordance with these instructions, may compromise service life.

## 3. Assembly and Commissioning Instructions

### Carton Contents

Place the carton in a clear working area and open carefully. The carton contains:

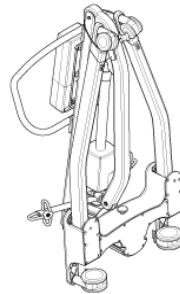
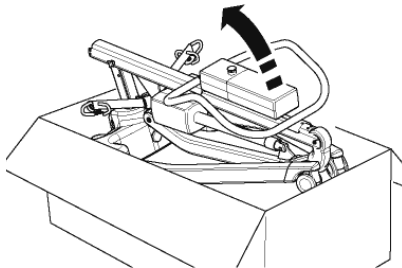
- HOYER ADVANCE
- WALLET CONTAINING DOCUMENTS
- HAND CONTROL (ELECTRIC ONLY)
- BATTERY PACK (ELECTRIC ONLY)
- BATTERY CHARGING LEAD (ELECTRIC ONLY)
- HYDRAULIC UNIT (HYDRAULIC ONLY)

**SAFETY NOTE:** The Hoyer Advance is heavy and will need to be lifted with care. You may need assistance to lift the Hoyer Advance from the carton.

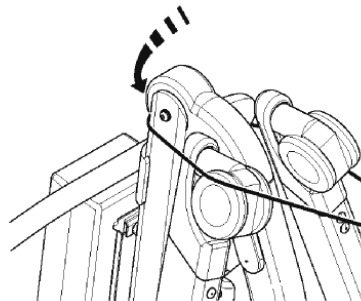
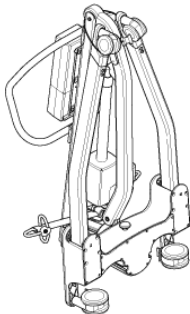
### Assembly Instructions

1. Remove all the parts from the carton and place on the floor, taking care to protect the finish from damage.

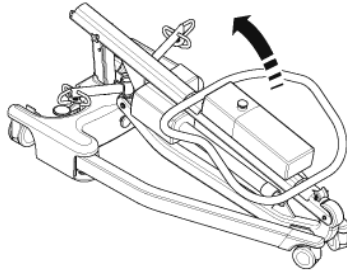
Lift the Advance carefully from the carton. Stand the lift in the upright position (in a triangular stance).



2. Release the leg and mast assembly by unfastening the restraining strap from the wheels. This strap will retract neatly into the top of the mast section.

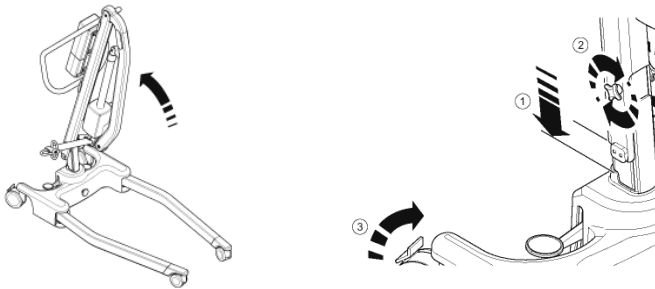


3. Lay the Advance flat on the floor (ensure rear casters are securely locked).



4. Lift the mast assembly upright (using the top of the push handle), and drop the mast into the slot (1), tighten mast lock knobs (2), release braked casters (3).

**SAFETY NOTE:** Avoid trapping fingers. Keep fingers away from the end of the mast when inserting into the mast slot. Ensure the mast is fully engaged before tightening the mast locking device.



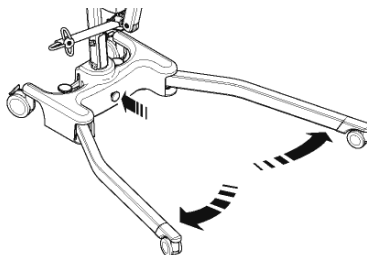
5. Open legs fully. ENSURE leg-locking knob engages flush against the base casting and the legs will no longer move freely. The legs will then only operate by the use of the foot pedal mechanism located at the rear of the base.

### **⚠ WARNING**

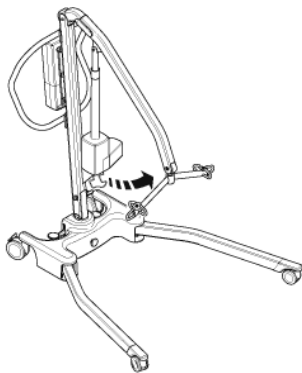
If operation of the foot pedal **DOES NOT** adjust the legs, **DO NOT** use the lift.

Check the leg locking knob is fully engaged.

If the leg locking knob will not fully engage and operating the foot pedal does not adjust the legs, **DO NOT** use the lift and contact your authorised Joerns Healthcare service provider for examination and repair.

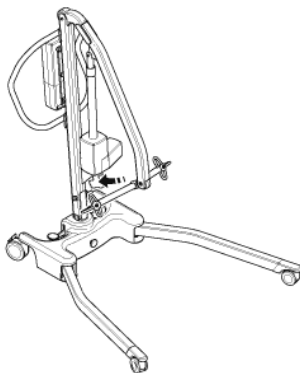


6. Release the spreader bar from the retaining cradle. The lift is now ready for operation.

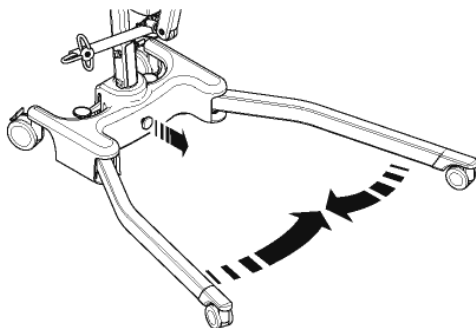


## 4. Disassembly

1. Lower the mast to the lowest possible position, then insert spreader bar into retaining cradle.



2. Release leg-locking device (pulling it away from the cast base), close legs tightly together.

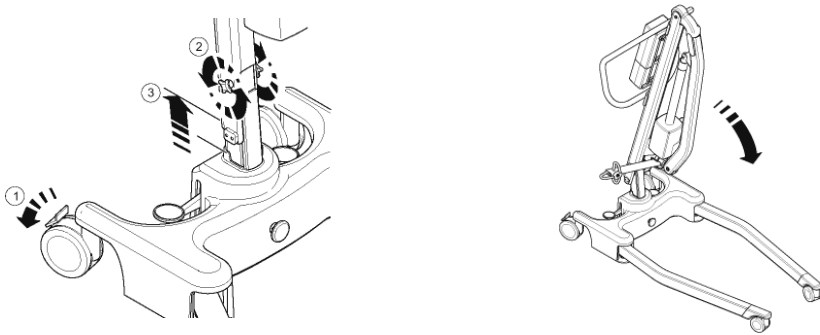


3. Loosen the mast locking device sufficiently to allow the mast to be lifted upwards. Lift the mast fully until the upper stop is reached. Carefully fold the mast towards the legs. Use the push handle to assist this action.

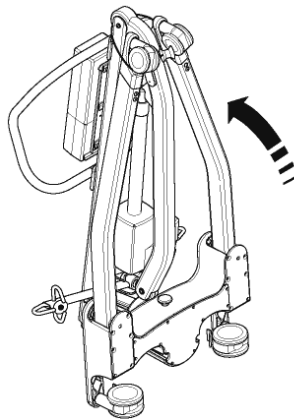
**⚠ CAUTION**

**When commencing folding of the mast, if resistance is felt, DO NOT force the mast; lift the mast upwards again until the upper stop is reached and attempt the fold operation again.**

**NOTE:** If you wish to separate the mast and boom completely from the base and legs, undo the mast locking device fully (remove) and lift the mast and boom completely free from the base. Be careful not to lose the mast lock device's knob and location spindle.



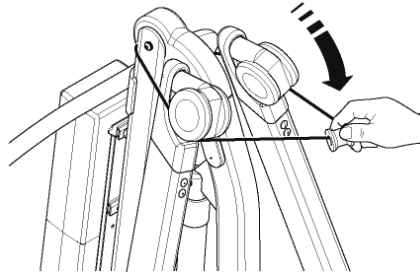
4. Lift the folded Advance upright (using the legs and push handle as a guide) being careful that the mast and boom stay together as you tilt upright.





5. Pull the restraining strap sharply upwards and extend over the wheels. (This will keep the legs, mast and boom neatly together during transit and storage).

**NOTE:** Care should be exercised when folding/unfolding an Advance as there is a possible danger of pinching the fingers etc. Please follow the instructions carefully and ask for assistance if you are unsure of the correct procedure.



#### **ALWAYS CHECK THE FOLLOWING BEFORE OPERATION:**

- The legs are fully engaged from the stowed position (see assembly instructions, step 5)
- The mast is fully locked into position (see assembly instructions, step 4).
- The legs open and close satisfactorily when the foot pedal is operated.
- Fit the power pack to the bracket on the mast and ensure the retaining latch is fully engaged and 'clicks' into place.
- The red emergency stop button, located on the control box, is in the OUT position.
- Depress the RAISE and LOWER buttons on the hand control and confirm the boom operates correctly.

#### **HYDRAULIC MODELS ONLY:**

- Close the hydraulic unit release valve by turning the knob clockwise on the unit.  
**NOTE:** The release valve requires only minimal tightening to operate and should only be closed finger tight. DO NOT apply excessive force to the valve knob as this will result in damage to the valve.
- Pump the handle of the hydraulic unit and confirm the ram raises the boom.
- Open the release valve fully anti-clockwise and check the boom descends. An unloaded boom will not come down under its own weight. It may be necessary to apply some pressure to the boom before it will descend.

**NOTE:** The release valve is fully open and encounters a positive end stop in less than two full turns of the knob.

### **⚠ WARNING**

**When lowering a patient, open the valve very slowly. Rapidly opening the valve may cause the boom to lower quickly which may cause injury to the patient.**

## 5. Safety Precautions

Please read and follow the safety precautions listed below. The operation and use of Hoyer patient lifts is simple and straightforward. Following these few basic safety precautions will make lifting operations easy and trouble free.

### **READ AND UNDERSTAND THE USER INSTRUCTION MANUAL BEFORE USING YOUR “ADVANCE” LIFT**

**WARNING:** Important safety information for hazards that might cause serious injury.

**CAUTION:** Information for preventing damage to the product.

**NOTE:** Information to which you should pay special attention.

### **WARNING**

- **ALWAYS** plan your lifting operations before commencing.
- **ALWAYS** carry out the **DAILY CHECK LIST** (page 16) before using the lift.
- **ALWAYS** familiarise yourself with the operating control and safety features of a lift before lifting a patient.
- **DO NOT** use a sling unless it is recommended for use with the lift.
- **ALWAYS** check the sling is suitable for the particular patient and is of the correct size and capacity.
- **NEVER** use a sling, which is frayed or damaged.
- **ALWAYS** fit the sling according to the instructions provided (user instructions).
- **ALWAYS** check the safe working load of the lift is suitable for the weight of the patient.
- **ALWAYS** carry out lifting operations according to the instructions in the user manual.
- **NEVER** disconnect or bypass a control or safety feature because it seems easier to operate the lift.
- **DO NOT** lift a patient with the caster brakes on. Always let the lift find the correct center of gravity.
- **DO NOT** attempt to maneuver the lift by pushing on the mast, boom or patient.
- **ALWAYS** maneuver the lift with the handle provided.
- **ALWAYS** lower the patient to the lowest comfortable position before transfers.
- **DO NOT** push a loaded lift at speeds, which exceed a slow walking pace (3 Kilometers/hour 0.8 meters/second).
- **DO NOT** push the lift over uneven or rough ground, particularly when loaded.
- **DO NOT** attempt to push/pull a loaded lift over a floor obstruction, which the casters are unable to ride over.
- **NEVER** force an operating/safety control. All controls are easy to use and do not require excessive force.
- The **MINIMUM** load required to manually lower the hoist using the mechanical emergency down function is 30 kg.
- **DO NOT** park a loaded lift on **ANY** sloping surface.
- **DO NOT** use electric lifts in a shower.

- **DO NOT** charge an electric lift in a bathroom or shower room.
- **DO NOT** lift a patient unless you are trained and competent to do so.
- **YOUR** lift is for patient lifting. **DO NOT** use it, or allow it to be used, for any other purpose.
- **DO NOT** bump the lift down steps, loaded or unloaded.
- **DO NOT** attempt to negotiate a loaded lift on a slope, which exceeds 1:12 (approximately 5 degrees).
- **DO NOT** attempt to negotiate a slope without a second helper being present.
- **ALWAYS** check the hoist is not charging before moving as the electrical connection may be damaged.



## 7. Operating Instructions

### 1. Leg adjustment

The legs on the Hoyer Advance are adjustable for width. The legs can be opened to enable access around armchairs or wheelchairs. For transferring and negotiating doorways and passages, the lift legs should be securely locked in the closed position.

To operate adjustment, the leg adjustment pedal, located at the rear of the base, is pressed down on the right hand side to open the legs outwards and is pressed down on the left hand side to close the legs. The adjustment can be carried out whilst the patient is in the lift.

### WARNING

**Never perform a lift/transfer with the legs in the closed/transport position (front casters touching). The closed/transport position is for storage and transport only.**

### 2. Casters and braking

The lift has two braked casters, which can be applied for parking. When lifting, the casters should be left free and un-braked, so that the lift will then be able to move to the center of gravity of the lift. DO NOT apply the brakes. If the brakes are applied, the patient may swing to the center of gravity and this may prove distressing and uncomfortable.

### 3. Raising and lowering the boom

The movement of the boom is achieved by a powerful electric actuator, which is controlled by a simple hand control unit. The hand control has two buttons with directional arrows RAISE and LOWER. The actuator stops automatically at the limit of travel in both directions. The hand control plugs into a socket at the base of the control box. There is a hook on the rear of the hand control, which allows it to be “parked” on the mast or boom when not in use.

### 4. Emergency stop

The red Emergency Stop Button is located on the rear of the control box and is activated by pressing in. This will cut all power to the lift and only be reset by twisting the button counterclockwise and releasing.

### 5. Redundant controls

The standard control box is fitted with emergency LOWER/RAISE buttons located underneath the emergency stop button. They can be operated by inserting the tip of a ball point pen into the buttons highlighted “lower/raise”. This will raise or lower the boom should the hand control fail.

### 6. Mechanical Emergency Down

In the case of a complete electrical failure, the electric actuator is fitted with a mechanical lowering device (RED BOSS). This will only operate when the lift is under load. The device must be pulled upwards to activate and a slow decent will commence.

**NOTE:** The MINIMUM load required to manually lower the hoist using the mechanical emergency down function is 30 kg.

### 7. Batteries

The batteries are protected from deep discharge by a LOW VOLTAGE ALARM. This will sound when the batteries need recharging and the hand control is being operated. It will not sound independently of the hand control being operated. CAUTION: DO NOT IGNORE THIS WARNING ALARM. Complete the lifting operation and place the lift on charge (see charging instructions).

## 8. Raising and lowering the boom (hydraulic models)

### **WARNING**

Never loosen or unscrew the retaining bolt of the hydraulic jack unless you are an authorized competent engineer. Never load whilst user needs to rotate hydraulic jack. If the user intends to rotate the jack strongly, it may impact the patient or cause unforeseen danger to patient and/or caregiver.

The raising and lowering of the boom is achieved by a powerful hydraulic ram, which is operated by two simple controls. The release valve, which is identified by a silver star shaped knob, and the pump handle which is a long lever on the side of the hydraulic unit to raise the boom. The valve is closed by gently turning the knob fully clockwise. When closed, pump the long handle with smooth even strokes for maximum effect. The handle strokes from an upright position through an arc of 90 degrees. Leave the handle in the upright position when not in use.

DO NOT force the handle beyond the upper or lower stops. The hydraulic unit can be rotated to allow the handle to be used from either side of the lift. To lower the boom, turn the release valve anti-clockwise. The release valve is progressive, the more it is opened the faster the descent. The valve is restricted so even when fully open the descent is controlled. This facility allows for a “hands free” descent. If the release valve is opened a fraction (a quarter turn) a very slow speed of descent will allow the caregiver to work “hands free” while assisting or comforting the patient. REMEMBER to close the release valve before commencing lifting operations. The release valve only requires gentle pressure to open or close. DO NOT apply excessive force to the release valve, either to close or to open. It is not necessary and will only damage the valve.

### **WARNING**

**When lowering a patient, open the valve very slowly. Rapidly opening the valve may cause the boom to lower quickly which may cause injury to the patient.**

## 9. Slings

The selected sling is attached to the spreader bar hooks. Each sling is supplied with instructions. Please study the instruction guide for the lift and sling before using. Once the correct sling has been selected for the patient, attach it to the spreader bar hooks.

**NOTE: For detailed fitting instructions, please refer to the user guide supplied with each sling.**

### **WARNING**

Joerns Healthcare recommends slings are checked regularly and before use for fraying or damage. DO NOT use slings that are worn or damaged.

### **WARNING**

**HOYER RECOMMENDS THE USE OF GENUINE HOYER PARTS. Hoyer slings and lifters are not designed to be interchangeable with other manufacturer’s products. Using other manufacturer’s products on Hoyer products is potentially unsafe and could result in serious injury to patient and/or caregiver.**

### **WARNING**

**Refer to maximum weight capacity of lift. Sling capacity is limited by the maximum capacity of the lift.**

## Charging Instructions

The batteries are located in the power pack and are charged through a socket at the base of the control box.

1. Insert the power supply plug into the charge point at the base of the control box. The plug is inserted with a straight push. **DO NOT** twist the plug in the socket.
2. Plug the charger mains lead/cord into a suitable mains/power outlet.
3. Charging is fully automatic. The LCD indicator indicates the status of the charging.

**NOTE:** Even if the charger is left plugged in for extended periods it will not allow the batteries to overcharge.

- a) Green Light - Indicates main power is on.
- b) Yellow Light - Indicates battery is charging.
- c) Battery will be fully charged when yellow light goes off.

**NOTE:** Charging will take up to 4 hours.

It is recommended that the battery be charged immediately up on receipt.

4. To return the lift to service, pull the charger socket out and disengage from the mains supply.

### **WARNING**

- **The battery, charger, hand control & control box are NOT to be opened by unauthorized personnel. (Contact your distributor for warranty and repairs).**
- **DO NOT touch battery/charger terminals.**
- **KEEP the batteries fully charged. Place the battery on charge whenever it is not in use. If it is more convenient to do so, place on charge every night. The charger will not allow the batteries to overcharge.**
- **NEVER run the batteries completely flat. As soon as the audible warning sounds, complete the lifting operation in hand and place on charge.**
- **To avoid possible permanent damage to the battery, the battery should be placed on charge as soon as the display indicates the half empty battery symbol.**
- **NEVER store the battery for long periods without regular charging throughout the storage period.**
- **ALWAYS make sure the mains power to the charger is switched off before connecting or disconnecting the battery pack.**
- **NEVER leave the battery pack connected with the charger mains power switched off.**
- **DO NOT leave the charger switched on with the battery disconnected.**
- **DO NOT use the lift while charging is taking place.**
- **CHECK the lift is not charging before moving as the electrical connection may be damaged.**
- **NEVER disconnect the charger plug by pulling on the cable.**
- **BE CAREFUL not to trip over the charge lead.**
- **DO NOT charge an electric lift in a bathroom or shower room.**

## 8. Maintenance Schedule

All Hoyer products are designed for minimum maintenance, however some safety checks and procedures are required. A schedule of DAILY tasks is detailed below. A list of replacement parts is available upon request.

### DAILY CHECK LIST

Joerns Healthcare strongly recommends the following checks be carried out on a daily basis and before using lift.

- MAKE sure the lift moves freely on its casters.
- MAKE sure the spreader bar is free to rotate and swing. Check the spreader bar is firmly attached to the boom.
- ENSURE the mast is fully engaged into the mast slot and the mast locking device is securely tightened.
- EXAMINE the sling hooks on the spreader bar and side suspenders for excessive wear. If in doubt - do not use.
- EXAMINE slings for fraying or other damage. DO NOT use any sling if damaged or if the sling shows signs of wear.
- MAKE sure the legs open and close correctly.
- OPERATE the hand control or the hydraulic unit to confirm the boom raises and lowers satisfactorily.
- CONFIRM the lift is not giving a low battery alarm when the hand control is operated. If the alarm sounds DO NOT use and place on charge immediately.
- ON electric powered lifts check the operation of the emergency stop button.
- ON hydraulically operated lifts check for hydraulic fluid leakage. Any leakage should be reported to a service engineer immediately and the lift should not be used until it has been repaired.

### MAINTENANCE, INSPECTION AND TEST

Joerns Healthcare recommends a thorough inspection and test of the Hoyer Advance lift and lifting accessories; slings, etc. are carried out on a regular basis. Inspection frequency varies depending on locality, so you must check with your dealer or local government agency as appropriate regarding how often an inspection is required. The examination and test should be conducted according to the recommendations and procedures provided in this manual. Whenever possible Joerns Healthcare recommends maintenance, inspection and certified testing is carried out by authorized service agent / dealers only.

**NOTE:** These recommendations are in compliance with the requirements of 1998 No2307 Health and Safety: The Lifting Operations and Lifting Equipment Regulations 1998. This is a UK regulation. Outside the UK please check your local country requirements.



**\*THESE CHECKS SHOULD INCLUDE:**

✓ = Required      X = Recommended

\* 6 months in North America

	Initially	Before Use	Service Intervals *
1. <b>SPREADER BAR:</b> Check the spreader bar for freedom of rotation and swing. Check for wear on the central pivot. Check for firm attachment to the boom.	✓	✓	✓
2. <b>BOOM:</b> Check the attachment of the boom to the mast. Make sure there is only minimal side movement of the boom and the boom is free to rotate on the boom bearing.	✓	✓	✓
3. <b>MAST:</b> Check the operation of the mast-locking device. Make sure the mast fully engages into the socket. Check the bottom actuator or hydraulic unit mounting.	✓	✓	✓
4. <b>ACTUATOR:</b> (electric only): The actuator should require no maintenance other than checking for correct operation and listening for unusual noise.		X	✓
5. <b>CONTROL BOX</b> (electric only): Check the function of the emergency stop button. Inspect the hand control socket for correct fitting. Check functioning of the hand control. Check the redundant controls and confirm they operate as intended. <b>Note:</b> The MINIMUM load required to manually lower the hoist using the emergency lower function is 30 kg.	✓	✓	✓
6. <b>BATTERIES:</b> (electric only): The batteries are housed in the power pack and should not require maintenance other than the regular charging as detailed in the charging instructions. Check that the connections remain clean.			✓
7. <b>HYDRAULIC UNIT:</b> The hydraulic unit should require no maintenance other than checking for correct operation and leakage of hydraulic fluid.		✓	✓
8. <b>LEG ADJUSTMENT:</b> Check the legs operate in both full extensions (inward/outward).	✓	✓	✓
9. <b>CASTERS:</b> Check all casters for firm attachment to the legs. Check for free rotation of the caster and the wheels.	✓	✓	✓
10. <b>CLEANING:</b> Clean with ordinary soap and water and/or any hard surface disinfectant. Harsh chemical cleaners or abrasives should be avoided as these may damage the surface finish of the lift. Avoid wetting any of the electrical parts.		X	✓
11. <b>LOAD TEST:</b> The load test should be carried out in accordance with the manufacturer's test procedures.			X
12. <b>BASE AND WHEELS:</b> Ensure base is even and level (all four wheels are on the floor).	✓	✓	✓
13. <b>SLINGS:</b> Check for wear and fraying.	✓	✓	✓
14. <b>LUBRICATION:</b> Oil pivot joints, including mast and boom connections, pedal assembly, spreader bar joint (only if required).			✓
15. <b>FIXINGS:</b> Check all nuts, bolts, screws and fasteners for excessive wear and for tightness. Replace as required.			✓

## 9. Technical Specifications

Specification	Electric	Hydraulic
Safe Working Load.....	341 lbs..... 155Kgs .....	341 lbs ..... 155Kgs
Maximum Overall Length .....	51 inches..... 1300mm .....	49.2 inches ..... 1250mm
Minimum Overall Length .....	49 inches..... 1250mm .....	47.2 inches ..... 1200mm
Maximum Overall Height.....	73 inches..... 1860mm .....	72.6 inches ..... 1845mm
Minimum Overall Height.....	53.5 inches..... 1360mm .....	53.1 inches ..... 1350mm

### Folded Dimensions

Height .....	17.1 inches..... 450mm .....	16.9 inches ..... 470mm
Depth.....	46.4 inches..... 1180mm .....	46.5 inches ..... 1230mm
Width .....	21.6 inches..... 550mm .....	23.0 inches ..... 550mm

Spreader Bar Max. Height.....	66.5 inches..... 1690mm .....	64.6 inches ..... 1640mm
Spreader Bar Min. Height (usable).....	15.3 inches..... 390mm .....	15.4 inches ..... 390mm
Height at Maximum Reach.....	46 inches..... 1170mm .....	33.5 inches ..... 850mm
Reach at Maximum Height.....	25.6 inches..... 650mm .....	28.0 inches ..... 710mm
Reach at Minimum Height.....	13.7 inches..... 350mm .....	15.4 inches ..... 390mm
Maximum Reach* .....	32.8 inches..... 835mm .....	33.5 inches ..... 850mm
Turning Radius .....	55.9 inches..... 1420mm .....	41.0 inches ..... 1040mm
Legs Open - External Width .....	42.5 inches..... 1080mm .....	43.7 inches ..... 1110mm
Legs Open - Internal Width .....	39.3 inches..... 1000mm .....	45.7 inches ..... 1160mm
Legs Closed - External Width.....	26.3 inches..... 670mm .....	25.2 inches ..... 640mm
Legs Closed - Internal Width.....	22.4 inches..... 570mm .....	21.7 inches ..... 550mm
Overall Height of Legs.....	4.5 inches..... 115mm .....	4.7 inches ..... 120mm
Ground Clearance .....	1.1 inches..... 30mm .....	1.2 inches ..... 30mm
Front Twin Casters .....	3.0 inches..... 75mm .....	3 inches ..... 75mm
Rear Braked Casters.....	3.9 inches..... 100mm .....	4 inches ..... 100mm

\*Reach = center of spreader bar to the front of the mast

### Weights

Mast, Base & Boom Assembly.....	63.1 lbs..... 28.9kgs .....	63.7 lbs ..... 26.8kgs
Power Pack .....	6.2 lbs..... 2.8kgs .....	N/A ..... N/A
Total.....	69.9 lbs..... 31.7kgs .....	59 lbs ..... 26.8kgs
Base Assembly (not incl. battery).....	32.8 lbs..... 14.9kgs .....	32.9 lbs ..... 14.9kgs
Mast & Boom (not incl. battery).....	30.9 lbs..... 14.0kgs .....	26.3 lbs ..... 11.9kgs

All measurements are within a +5/-5 degree of tolerance.

**ELECTRICAL SPECIFICATIONS:**

BATTERIES.....	24 volt Rechargeable sealed lead acid type
BATTERY CAPACITY .....	3.2 Ampere hours
CHARGER RATED INPUT .....	100 - 240 V AC/ 50/60 Hz
CHARGER RATED OUTPUT .....	29.5 VDC, Max. 19 W

**ELECTRIC SHOCK PROTECTION**

CHARGER.....	CLASS II (EN 60601-1)
LIFT .....	INTERNAL POWER SOURCE

**DEGREE OF SHOCK PROTECTION**

CHARGER.....	TYPE B (EN 60601-1)
LIFT .....	TYPE B (EN 60601-1)

**ENVIRONMENTAL CONDITIONS:**

Outside this environment functionality and safety may be compromised.

**OPERATING:**

TEMPERATURE .....	5°C to 40°C
RELATIVE HUMIDITY.....	20% to 90% @ 30°C - not condensing
ATMOSPHERIC PRESSURE.....	700 to 1060 hPa

**STORAGE:**

TEMPERATURE.....	-10°C to +50°C
RELATIVE HUMIDITY.....	20% to 90% @ 30°C - not condensing
ATMOSPHERIC PRESSURE.....	700 to 1060 hPa

**IP RATINGS**

CONTROL BOX .....	IPX4
ACTUATOR.....	IPX4
OFF BOARD CHARGER .....	IPX5
BATTERY .....	IPX5
HANDSET .....	IPX5

**DUTY CYCLES**

ACTUATOR.....	10% (2 min./18 min.)
CHARGER.....	Approx. 4 hrs.

**ACOUSTICS**

A-Weighted sound power level .....	60 dB (A)
------------------------------------	-----------

## KEY SYMBOLS:

The following symbols are used on the charger, control unit and battery:



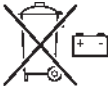
Type B equipment, as per EN 60601-1



Class 2 equipment



The disposal of the charging and control unit should not be mixed with general household waste.



The disposal of batteries should not be mixed with general household waste.



The disposal of electronics should not be mixed with general household waste.



For indoor use



ATTENTION, consult accompanying documents.

WEEE Producers registration number WEE/GG0464RZ

## 10. Warranty

This warranty covers HoyerPro lifts only. Lifts not covered under this warranty include, but are not limited to HML400, HPL600WB, HPL600WBSC, HPL402, C-HLA (and variations).

HoyerPro lifts are guaranteed for a period of two years from the date of delivery against defects in materials and workmanship under normal use and service. This warranty includes all mechanical and electrical components.

Aluminium structural components and mechanical components on lifts are covered under warranty for a period of five (5) years from the date of delivery.

Damage caused by use in unsuitable environmental conditions or failure to maintain the product in accordance with user and service instructions is not covered. Any alteration, modification or repair unless performed by or authorized in writing by Joerns Healthcare will void this warranty.

### Parts:

HoyerPro lifts contain various parts that wear from normal use. These parts, such as DC batteries and casters are not covered under the two-year warranty but are covered for 90 days after date of delivery.

Joerns Healthcare's obligation under this warranty is limited to supplying replacement parts, servicing or replacing, at its option, any product which is found by Joerns Healthcare to be defective.

Warranty replacement parts are covered by the terms of this warranty until the product's original warranty period expires.

When requested by Joerns Healthcare, parts must be returned for inspection at the customer's expense. Credit will be issued only after inspection.

### Service:

Most service requests handled by the facility Maintenance Department with assistance from the Joerns Healthcare Product Service Department.

Most parts requested can be shipped next day air at the customer's expense.

Should a technician be required, one will be provided by Joerns Healthcare, at our discretion. Only the Joerns Healthcare Product Service Department can dispatch authorized technicians.

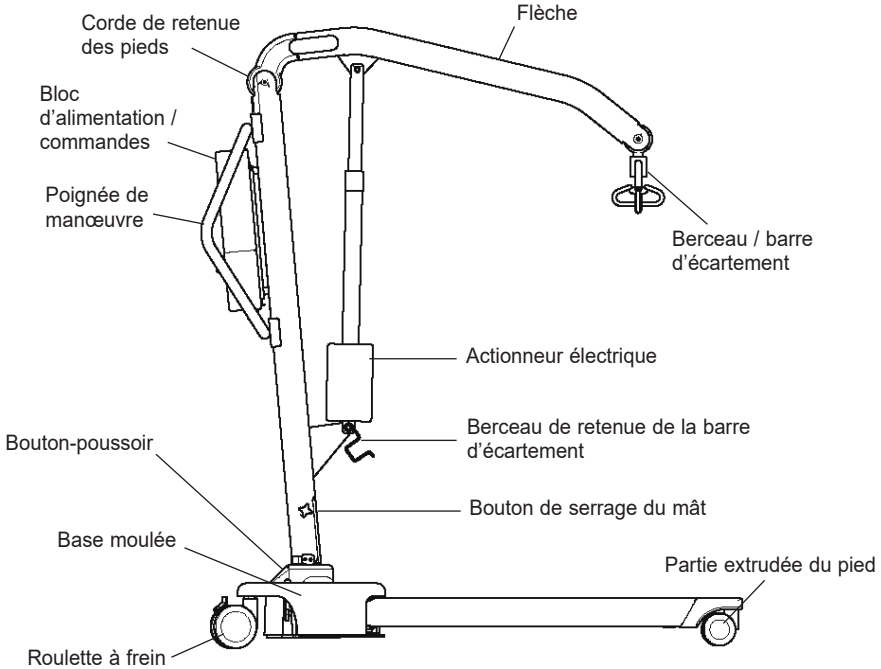
This warranty is extended to the original purchaser of the equipment.

## Table des matières

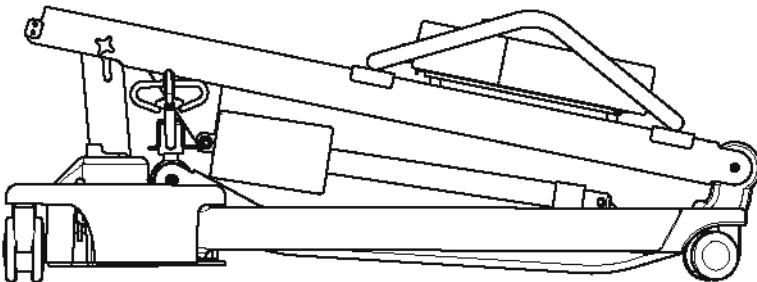
1. Le lève-personne Hoyer Advance.....	23
2. Introduction: Le lève-personne Hoyer Advance.....	24
3. Instructions de montage et de mise en service .....	25
4. Démontage.....	27
5. Consignes de sécurité.....	30
6. Boîtier de commande et commande manuelle .....	32
7. Instructions de fonctionnement .....	33
8. Périodicité d'entretien de l'appareil Hoyer Advance .....	36
9. Spécifications techniques.....	38
10. Garantie.....	41

# 1. Le lève-personne Hoyer Advance

## Lève-personne Hoyer Advance (prêt à l'emploi)



## Lève-personne Hoyer Advance (en position de rangement)



## 2. Introduction: Le lève-personne Hoyer Advance

Le modèle Hoyer Advance est offert en version hydraulique et en version électrique. Le présent manuel couvre les deux modèles Advance. Chaque lève-personne est entièrement monté, soumis à un essai de charge et certifié avant d'être emballé / expédié

L'emballage se compose d'une boîte en carton robuste construite spécialement pour les expéditions intérieures et les exportations qui permet de garantir l'arrivée de l'appareil intact à destination. L'emballage de chaque lève-personne comprend une pochette contenant un certain nombre de documents qui doivent être conservés en lieu sûr pour référence future.

- CERTIFICAT D'ESSAI
- MANUEL D'UTILISATION
- CARTE DE GARANTIE DU REVENDEUR
- CARTE DE SATISFACTION

Le CERTIFICAT D'ESSAI est un document important qui doit être conservé à titre de référence. Pour entretenir correctement votre lève-personne, veuillez vous référer au tableau de périodicité d'entretien dans ce document. En cas d'incertitude concernant les normes d'entretien locales, veuillez vous renseigner auprès de votre revendeur et / ou d'un organisme gouvernemental local.

**Marque CE :** L'appareil Hoyer Advance porte la marque CE et il est conforme aux directives CE suivantes :



- Medical Device Directive (appareils médicaux) 93/42/CEE
- Directive EMC (89/336/CEE)
- Directive relative aux basses tensions (73/23/CEE)

### Déclaration d'utilisation prévue

L'usage prévu de cet appareil de levage consiste à lever et à transférer en toute sécurité un patient depuis un point à un autre (par ex. depuis un lit vers un fauteuil roulant). Joerns Healthcare recommande de toujours procéder à une évaluation des risques avant d'entreprendre le transfert d'un patient, et de limiter le transfert à de courtes distances.

Le lève-personne Hoyer Advance est prévu pour les patients en position ASSISE, en position ASSISE/ALLONGÉE et en position ALLONGÉE.

Le lève-personne Hoyer Advance est prévu pour assurer et promouvoir la sécurité à la fois du patient et de l'aide-soignant. Il se plie sans outil, ce qui permet de le ranger en toute simplicité même dans des endroits où l'espace est limité. Le lève-personne Hoyer Advance peut également se démonter en deux parties, facilitant le transport à bord d'un véhicule doté d'un coffre suffisamment grand.

Le lève-personne Hoyer Advance intègre une barre d'écartement à 6 points et est conçu pour être utilisé conjointement avec les différentes sangles Hoyer. Les exemples de sangles compatibles avec ce matériel sont énumérés ci-dessous :

- Hoyer Quickfit
- Hoyer Long Seat
- Hoyer Full Back
- Hoyer Access sling
- Hoyer Quickfit Deluxe
- Hoyer Silkfit

### Durée de vie prévue

Les lève-personnes Hoyer Professional sont conçus et testés pour une durée de vie minimum de dix (10) ans, si les consignes d'utilisation et d'entretien énoncées dans le présent manuel sont respectées. Toute utilisation non conforme aux consignes peut compromettre la durée de vie du matériel.



### 3. Instructions de montage et de mise en service

#### Contenu de la boîte

Placez la boîte sur une surface bien dégagée et ouvrez-la avec précaution. Elle contient :

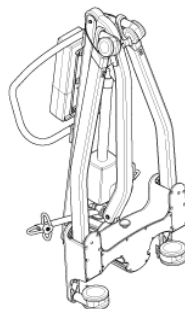
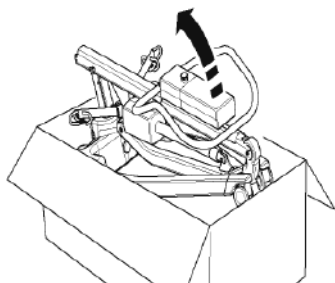
- L'APPAREIL HOYER ADVANCE
- UNE POCLETTE CONTENANT DES DOCUMENTS
- UNE COMMANDE MANUELLE (MODÈLE ÉLECTRIQUE UNIQUEMENT)
- BATTERIES (MODÈLE ÉLECTRIQUE UNIQUEMENT)
- CHARGEUR DE BATTERIES AU PLOMB (MODÈLE ÉLECTRIQUE UNIQUEMENT)
- UNE UNITÉ HYDRAULIQUE (MODÈLE HYDRAULIQUE UNIQUEMENT)

**REMARQUE CONCERNANT LA SÉCURITÉ:** L'appareil Hoyer Advance est lourd et devra être soulevé avec précaution. Il est possible que vous soyez obligé(e) de vous faire aider pour soulever l'appareil Hoyer Advance et le sortir de la boîte.

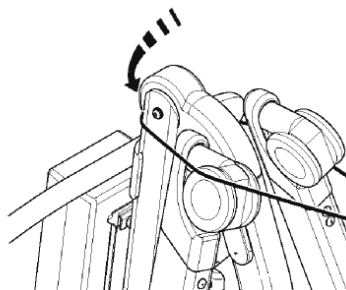
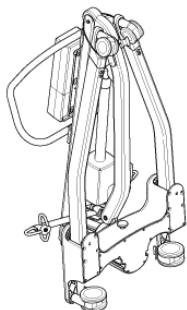
#### Instructions de montage

1. Retirez toutes les pièces de la boîte et placez-les par terre, en prenant soin de protéger le fini.

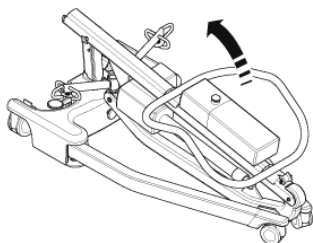
Avec précaution, soulevez l'appareil Advance de l'emballage. Mettez le lève-personne à la verticale (de manière à former un triangle).



2. Dégagez le pied et le mât en détachant la sangle de retenue des roues. Cette sangle rentrera dans le haut de la section du mât.

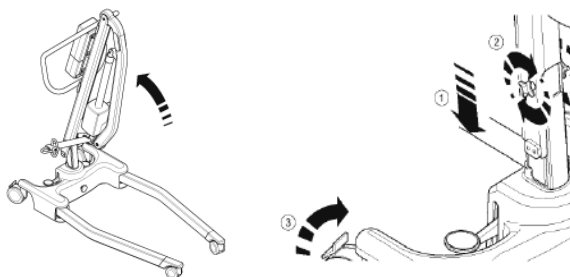


3. Mettez l'appareil Advance à plat sur le sol (assurez-vous que les roulettes arrière sont bien verrouillées).



4. En l'attrapant par le haut de la poignée, redressez le mât en position verticale de sorte à l'insérer dans la fente (1). Serrez les molettes de verrouillage du mât (2) et déverrouillez les roulettes (3).

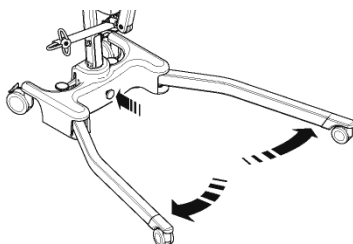
**REMARQUE CONCERNANT LA SÉCURITÉ:** Évitez de vous coincer les doigts. Lorsque vous insérez le mât dans la fente, gardez vos doigts à l'écart de l'extrémité du mât. Serrez le dispositif de verrouillage du mât, puis desserrez les freins des roulettes à l'arrière.



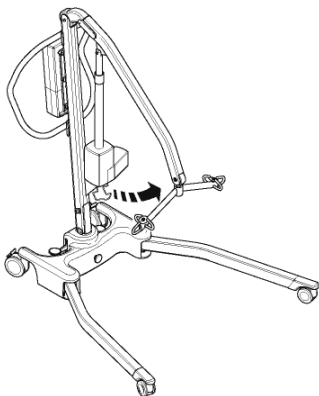
5. Écartez les pieds au maximum. ASSUREZ-VOUS que le bouton de verrouillage des pieds arrive à ras de la base et que les pieds ne puissent plus bouger. Les pieds ne fonctionneront alors qu'au moyen du mécanisme à pédale situé à l'arrière de la base.

### ⚠ AVERTISSEMENT

Si l'activation de la pédale NE permet PAS de régler les pieds, n'utilisez PAS le lève-personne. Vérifiez que le bouton de verrouillage des pieds est entièrement enfoncé. Si le bouton de verrouillage des pieds ne s'enfonce pas entièrement et si l'activation de la pédale ne permet pas de régler les pieds, N'UTILISEZ PAS le lève-personne et contactez votre revendeur Joerns Healthcare agréé afin de le faire inspecter, voire réparer.

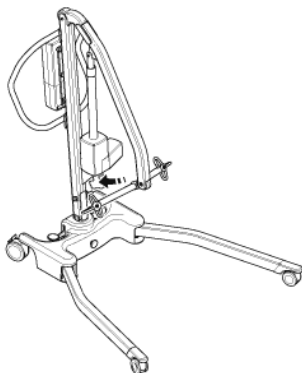


6. Libérez le fléau de son support de retenue. Le lève-personne est maintenant prêt à l'emploi.



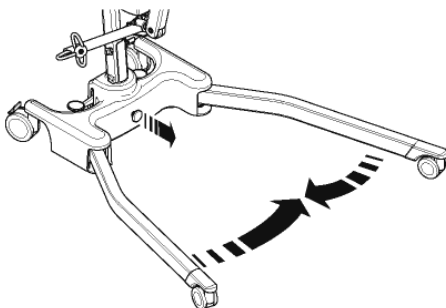
## 4. Démontage

1. Amenez le mât à la position la plus basse, puis insérez la barre d'écartement dans le berceau



de retenue.

2. Relâchez le dispositif de verrouillage des pieds (en l'éloignant de la base moulée), rapprochez les pieds l'un de l'autre.

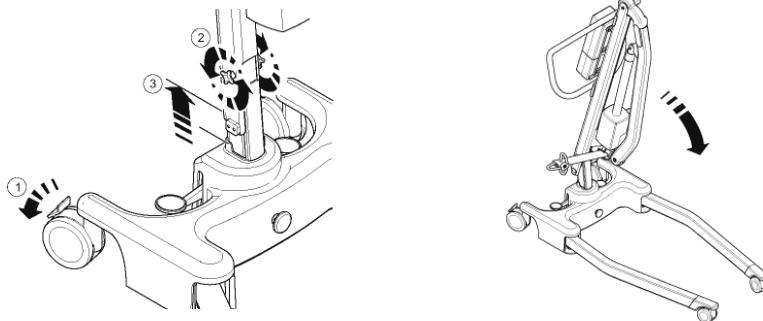


3. Desserrez suffisamment le dispositif de blocage du mât afin de pouvoir lever le mât. Levez le mât entièrement jusqu'à ce qu'il atteigne la butée d'arrêt. Pliez délicatement le mât en direction des pieds. Aidez-vous de la poignée pour faciliter cette action.

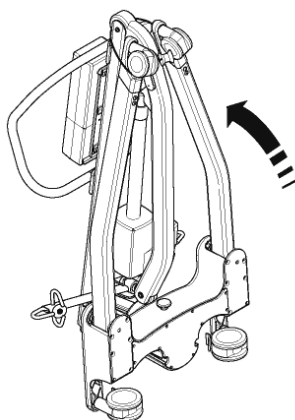
### ⚠ ATTENTION

Si, lorsque vous pliez le mât, vous sentez une résistance, **NE FORCEZ PAS**, relevez le mât jusqu'à la butée d'arrêt, puis réessayez de le plier.

**REMARQUE:** Si vous souhaitez séparer complètement le mât et la flèche de la base et des pieds, détachez le dispositif de verrouillage du mât (retirez-le) et soulevez le mât et la flèche pour les sortir complètement de la base. Prenez garde à ne pas desserrer le dispositif de verrouillage, le bouton et la fusée de centrage du mât.

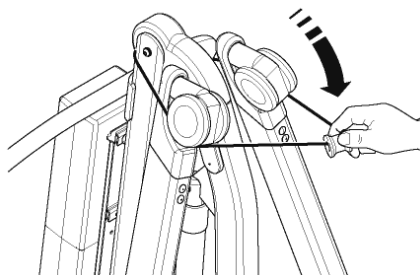


4. Soulevez l'appareil Advance verticalement (utilisez les pieds et la poignée de manœuvre comme guides) en veillant à ce que le mât et la flèche ne se séparent pas lorsque vous mettez l'appareil à la verticale.



5. D'un coup sec, tirez la sangle de retenue vers le haut et étendez-la au-dessus des roues. (Cela empêche les pieds, le mât et la flèche de se séparer durant le transport et l'entreposage).

**REMARQUE:** Prenez des précautions pour plier et déplier un appareil Advance, car vous risquez de vous pincer les doigts, etc. Veuillez suivre les instructions à la lettre et vous faire aider si vous n'êtes par certain(e) de la procédure correcte.



#### EFFECTUEZ TOUJOURS LES VÉRIFICATIONS SUIVANTES AVANT D'UTILISER L'APPAREIL :

- Les pieds sont complètement engagés depuis la position d'arrimage (voir les instructions de montage, 5).
- Le mât est complètement verrouillé en position (voir les instructions de montage, 4).
- Les pieds s'ouvrent et se ferment sans résistance lorsque la pédale est actionnée.
- Installez le bloc d'alimentation sur son support sur le mât et vérifiez que le loquet de retenue est entièrement enfoncé et émet un clic.
- Le bouton rouge d'arrêt d'urgence, situé sur le boîtier de commande, est en position sortie (OUT).
- Appuyez sur les boutons ÉLEVER et ABAISSER de la commande manuelle et vérifiez que le bras se déplace correctement.

#### MODÈLES HYDRAULIQUES UNIQUEMENT

- Fermez la valve de l'unité hydraulique en tournant le bouton dans le sens horaire.  
**REMARQUE:** La valve n'exige qu'un serrage minimal pour fonctionner et elle ne doit être fermée qu'à la main. N'EXERCEZ PAS de force excessive sur le bouton, car cela risque d'endommager la valve.
- Appuyez sur la poignée de l'unité hydraulique et confirmez que le vérin relève la flèche.
- Ouvrez complètement la valve en tournant dans le sens antihoraire et assurez-vous que la flèche descend. Si une flèche n'est pas chargée, son poids seul ne suffira pas à la faire descendre. Il peut parfois s'avérer nécessaire d'appuyer sur la flèche pour la faire descendre.  
**REMARQUE:** La valve est complètement ouverte et arrive à une butée de fin de course en moins de deux tours complets du bouton.

### **▲ AVERTISSEMENT**

**Lorsque vous abaissez un patient, ouvrez la valve très lentement, à défaut de quoi, la flèche risquerait de s'abaisser rapidement et de blesser le patient.**

## 5. Consignes de sécurité

Veillez lire et suivre les consignes de sécurité ci-dessous. Le fonctionnement et l'utilisation des lève-personnes Hoyer sont simples et clairs. Si vous suivez ces quelques consignes de sécurité fondamentales, vous serez en mesure d'utiliser ce lève-personne facilement et sans problèmes.

### **AVANT D'UTILISER VOTRE LÈVE-PERSONNE « ADVANCE », LISEZ LES INSTRUCTIONS DU MANUEL D'UTILISATION ET VEILLEZ À BIEN LES COMPRENDRE**

**AVERTISSEMENT:** Consigne de sécurité importante sur un danger pouvant entraîner des blessures graves.

**ATTENTION:** Consigne de précaution pour éviter d'endommager le produit.

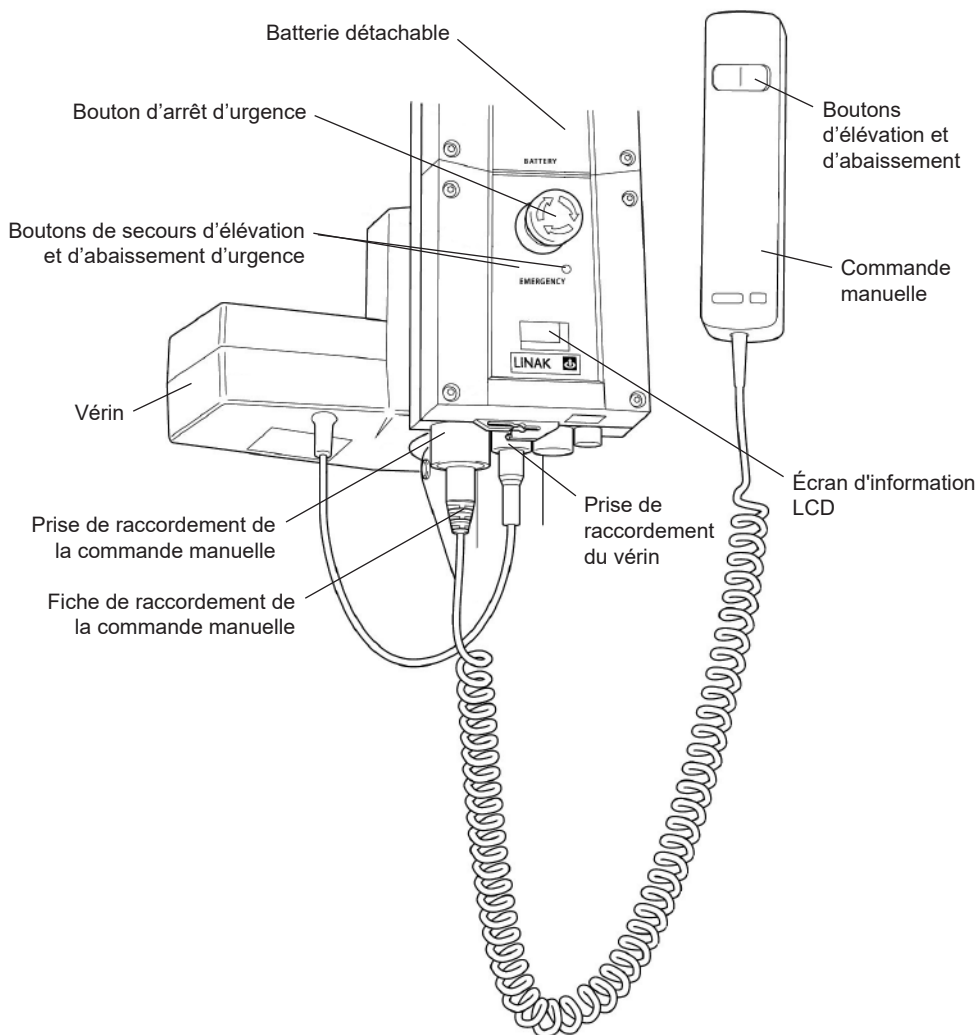
**REMARQUE:** Informations auxquelles il convient de prêter une attention particulière.

### **AVERTISSEMENT**

- Planifiez **TOUJOURS** vos opérations de levage avant de commencer.
- Effectuez **TOUJOURS** les **VÉRIFICATIONS QUOTIDIENNES** (page 36) avant d'utiliser le lève-personne.
- Familiarisez-vous **TOUJOURS** avec les commandes de fonctionnement et les dispositifs de sécurité d'un lève-personne avant de soulever un patient.
- **N'UTILISEZ PAS** de courroie, à moins que cela ne soit recommandé.
- Vérifiez **TOUJOURS** que la courroie convient au patient et qu'elle est de taille et de capacité appropriées.
- N'utilisez **JAMAIS** une courroie effilochée ou montrant des signes de détérioration.
- Ajustez **TOUJOURS** la courroie suivant les instructions fournies (consignes d'utilisation).
- Vérifiez **TOUJOURS** que la charge maximale d'utilisation du lève-personne est compatible avec le poids du patient.
- Effectuez **TOUJOURS** le levage suivant les instructions du manuel d'utilisation.
- **Ne débranchez ni ne contournez JAMAIS** une commande ou un dispositif de sécurité sous prétexte que cela semble plus facile pour utiliser le lève-personne.
- **NE SOULEVEZ PAS** un patient si les freins des roulettes sont serrés. Laissez toujours le lève-personne trouver le centre de gravité correct.
- **N'ESSAYEZ PAS** de manœuvrer le lève-personne en poussant le mât, la flèche ou le patient.
- Manœuvrez **TOUJOURS** le lève-personne à l'aide de la poignée fournie.
- Amenez **TOUJOURS** le patient à la position la plus basse et la plus confortable avant un transfert.
- **NE PUSSEZ PAS** un lève-personne chargé à des vitesses dépassant une allure de marche lente (3 kilomètres / heure, soit 0,8 mètres / seconde).
- **NE PUSSEZ PAS** le lève-personne sur un terrain accidenté, particulièrement si le lève-personne est chargé.

- **N'ESSAYEZ PAS**, si les roulettes ne peuvent pas surmonter un obstacle au sol, de pousser / tirer un lève-personne chargé. .
- **NE FORCEZ JAMAIS** une commande de fonctionnement / de sécurité. Toutes les commandes sont faciles à utiliser et ne nécessitent pas une force excessive.
- La charge **MINIMALE** requise pour abaisser manuellement le lève-personne à l'aide de la fonction d'abaissement mécanique d'urgence est de 30 kg.
- **NE déplacez PAS** le lève-personne sur un terrain irrégulier ou accidenté, surtout en présence d'un patient.
- **N'UTILISEZ PAS** les lève-personnes électriques dans la douche.
- **NE CHARGEZ PAS** un lève-personne électrique dans une salle de bains ou une salle de douche.
- **NE SOULEVEZ PAS** un patient si vous n'avez ni l'expérience ni la compétence.
- **VOTRE** lève-personne est prévu pour soulever des patients. **NE L'UTILISEZ PAS**, et n'autorisez personne à s'en servir à d'autres fins.
- **NE HEURTEZ PAS** le lève-personnes en descendant des marches, qu'il soit chargé ou non.
- **N'ESSAYEZ PAS** de déplacer un lève-personne chargé sur une pente de plus de 1:12 (environ 5 degrés).
- **N'ESSAYEZ PAS** de monter ou de descendre une côte sans une autre personne à vos côtés.
- Vérifiez **TOUJOURS**, avant de bouger, que le lève-personne ne charge pas, car la connexion électrique peut être endommagée.

## 6. Boîtier de commande et commande manuelle





## 7. Instructions de fonctionnement

### 1. Réglage des pieds

Sur l'appareil Hoyer Advance, la largeur des pieds est réglable. Ils peuvent être ouverts pour faciliter l'accès autour des fauteuils ou des chaises roulantes. Lors des transferts et pour permettre le passage du lève-personne par des embrasures de porte, les pieds doivent être ramenés en position fermée.

Le réglage des pieds se fait au moyen de la pédale d'ajustement située à l'arrière de la base. Enfoncez la pédale de droite pour augmenter l'écartement des pieds et enfoncez la pédale de gauche pour réduire l'écartement des pieds. Le réglage peut être effectué même pendant le transport d'un patient.

### AVERTISSEMENT

**Ne procédez jamais au levage/transfert d'un patient avec les pieds en position fermée/de transport (les roulettes avant se touchent). La position fermée/de transport est prévue uniquement pour le stockage et le transport.**

### 2. Roulettes et freinage

Le lève-personne comporte deux roulettes à frein, qui permettent d'immobiliser l'appareil. Durant le levage, les roulettes doivent rester libres et non freinées, afin que le lève-personne puisse se diriger vers son centre de gravité. **NE SERREZ PAS** les freins, car dans ce cas, le patient pourrait basculer vers le centre de gravité, ce qui pourrait s'avérer déconcertant et inconfortable.

### 3. Levage et abaissement de la flèche (modèles électriques)

Le mouvement de la flèche est transmis par un puissant actionneur électrique, qui est lui-même contrôlé par une simple unité de commande manuelle. La commande manuelle est munie de deux boutons sur lesquels se trouvent les flèches MONTER (vers le haut) et ABAISSER (vers le bas). L'actionneur s'arrête automatiquement en fin de course dans les deux sens. La commande manuelle se branche sur une prise située à la base du boîtier de commande. Un crochet situé à l'arrière de la commande manuelle permet de la « garer » sur le mât ou la flèche lorsqu'elle n'est pas en usage.

### 4. Arrêt d'urgence (modèles électriques)

Le bouton rouge d'arrêt d'urgence, situé à l'arrière du boîtier de commande, est activé lorsqu'on appuie dessus. Cela coupe l'alimentation du lève-personne, laquelle n'est rétablie que lorsque le bouton est tourné dans le sens antihoraire, puis relâché.

### 5. Commandes de secours (modèles électriques)

Le bouton de descente d'urgence se trouve à l'arrière du boîtier de commande. Pour l'activer, il faut insérer la pointe d'un stylo à bille dans le bouton portant l'inscription « lower » (descente). Cela permet de faire descendre la flèche en cas de défaillance de la commande.

### 6. Descente mécanique d'urgence (modèles électriques)

En cas de coupure totale d'alimentation, le vérin électrique est doté d'un dispositif d'abaissement mécanique (RED BOSS). Celui-ci ne fonctionne que lorsque le lève-personne est chargé. Ce dispositif doit être tiré vers le haut pour s'activer après quoi une descente lente va commencer.

**Remarque:** La charge MINIMALE requise pour abaisser manuellement le lève-personne à l'aide de la fonction d'abaissement mécanique d'urgence est de 30 kg.

### 7. Batteries

Les batteries sont protégées contre les décharges poussées par une ALARME DE BASSE TENSION. Celle-ci retentit lorsque les batteries demandent à être rechargées et que la commande manuelle est en usage. Elle ne retentit pas si la commande manuelle n'est pas en usage.

**ATTENTION: NE NÉGLIGEZ PAS CETTE ALARME.** Achevez le levage et mettez l'appareil sous charge (voir instructions de charge).

## 8. Levage et abaissement de la flèche (modèles hydrauliques)

### **AVERTISSEMENT**

**Il vous est conseillé de ne pas desserrer ou dévisser le boulon de retenue du vérin hydraulique si vous n'êtes pas un ingénieur qualifié et agréé. Ne chargez jamais pendant que l'utilisateur tourne le vérin hydraulique. Si l'utilisateur tourne le vérin avec force, cela peut heurter le patient ou causer un danger imprévu pour le patient et/ou l'intervenant.**

Le levage et l'abaissement de la flèche sont réalisés grâce à un puissant vérin hydraulique, actionné par deux simples commandes : la valve, qui est identifiée par un bouton argent en forme d'étoile, et la poignée de la pompe, un long levier situé sur le côté de l'unité hydraulique, qui permet de relever la flèche. Pour fermer la valve, tournez doucement le bouton à fond dans le sens horaire. Lorsqu'elle est fermée, actionnez la longue poignée par mouvements réguliers pour obtenir un effet maximal. La poignée décrit un arc de 90 degrés à partir de la position verticale. Laissez la poignée à la verticale lorsqu'elle n'est pas en usage.

NE FORCEZ PAS la poignée au-delà des butées supérieure ou inférieure. L'unité hydraulique peut être tournée pour permettre l'utilisation de la poignée de l'un ou l'autre côté du lève-personne. Pour abaisser la flèche, tournez la valve dans le sens antihoraire. Cette valve a un effet progressif, plus elle est ouverte, plus la descente est rapide. Elle a une action limitée, de sorte que même lorsqu'elle est complètement ouverte, la descente est contrôlée. Cela permet une descente « mains libres ». Si la valve est ouverte d'une fraction (un quart de tour), la vitesse de descente très lente laisse les « mains libres » à l'intervenant(e) et lui permet d'aider ou de réconforter le patient. N'OUBLIEZ PAS de fermer la valve avant de commencer à soulever le patient. Pour s'ouvrir ou se fermer, la valve ne nécessite qu'une légère pression. N'EXERCEZ PAS une force excessive sur la valve, que ce soit pour la fermer ou pour l'ouvrir. Cela n'est pas nécessaire et n'aurait pour effet que d'endommager la valve.

## 9. Courroies

La sangle sélectionnée est accrochée aux crochets de la barre d'écartement. Chaque sangle est livrée avec des instructions. Prenez le temps de lire attentivement les instructions avant d'utiliser le lève-personne. Une fois la courroie correcte sélectionnée pour le patient, attachez-la aux crochets de la barre d'écartement.

**REMARQUE : Pour toute instruction détaillée sur la mise en place, reportez-vous au guide d'utilisation fourni avec chaque courroie.**

### **AVERTISSEMENT**

Joerns Healthcare vous conseille de vérifier, régulièrement et avant toute utilisation, que vos courroies ne sont ni effilochées, ni endommagées. N'utilisez JAMAIS une courroie usagée ou endommagée.

### **AVERTISSEMENT**

**HOYER RECOMMANDE TOUJOURS D'UTILISER DES PIECES HOYER AUTHENTIQUES. Les sangles et appareils de levage Hoyer ne sont pas conçus pour être interchangeables avec les produits d'autres fabricants. L'utilisation de produits d'autres fabricants avec les produits Hoyer est potentiellement dangereuse et peut engendrer des blessures graves au patient et/ou à l'aide soignant(e).**

### **AVERTISSEMENT**

**Respectez la charge maximale du lève-personne. La charge de la courroie est limitée par la charge maximale du lève-personne.**

## Instructions de charge

Les batteries sont situées dans le bloc d'alimentation et elles sont rechargées au moyen d'une prise qui se trouve à la base du boîtier de commande.

1. Insérez la fiche d'alimentation dans le point du chargeur à la base du boîtier de commande. Pour l'insérer, poussez la fiche en ligne droite. **NE TOURNEZ PAS** la fiche dans la prise.
2. Branchez le fil / le cordon du chargeur sur une prise de courant appropriée et **ACTIVEZ** l'alimentation principale.
3. La charge est entièrement automatique. L'affichage à cristaux liquides indique l'état de la charge. **REMARQUE** : Même si le chargeur reste branché pendant très longtemps, cela n'entraînera pas la surcharge des batteries.
  - a) Voyant vert - Indique que l'appareil est sous tension.
  - b) Voyant jaune - Indique que la batterie est en cours de recharge.
  - c) La batterie est complètement rechargée une fois que le voyant jaune s'est éteint.**REMARQUE** : La charge de la batterie prend 4 heures.  
Il est conseillé de charger la batterie dès réception.
4. Pour remettre le lève-personne en service, **COUPEZ** l'alimentation principale, retirez la prise du chargeur et débranchez-la de l'alimentation principale.

### **AVERTISSEMENT**

- La batterie, le chargeur, la commande manuelle et la boîte de commande **NE** doivent **PAS** être ouverts par du personnel non autorisé. (Contactez votre distributeur pour toute information sur la garantie et les réparations).
- **NE** touchez **PAS** les bornes de la batterie/du chargeur.
- **VEILLEZ** à ce que les batteries restent en permanence complètement chargées. Pendant les périodes de non-utilisation du lève-personne, mettez la batterie en charge. Vous pouvez également mettre la batterie en charge la nuit. Le chargeur interrompt automatiquement la recharge dès que les batteries sont pleines. Il n'y a pas de risque de surcharge.
- **NE** laissez **JAMAIS** les batteries se décharger complètement. Dès que l'avertisseur sonore retentit, terminez le levage en cours, puis mettez-les batteries en charge.
- Pour éviter tout endommagement irréversible de la batterie, il convient de mettre celle-ci en charge dès que l'écran affiche le symbole de la batterie à moitié pleine.
- N'entrez **JAMAIS** la batterie pendant une longue période sans le recharger régulièrement.
- Veillez à **TOUJOURS** mettre le chargeur hors tension avant de brancher ou de débrancher le bloc d'alimentation.
- **Ne** laissez **JAMAIS** le bloc d'alimentation branché au chargeur si ce dernier est hors tension.
- **NE LAISSEZ PAS** le chargeur sous tension si la batterie est débranchée.
- **N'UTILISEZ PAS** le lève-personne pendant qu'il est en charge.
- **VÉRIFIEZ** que le lève-personne n'est pas en charge avant de le déplacer afin d'éviter tout endommagement électrique.
- **NE DÉBRANCHEZ JAMAIS** le chargeur en tirant sur le câble.
- **VEILLEZ** à ne pas trébucher sur le câble du chargeur.
- **NE RECHARGEZ PAS** un lève-personne électrique dans une salle de bains ou une salle d'eau.

## 8. Périodicité d'entretien de l'appareil Hoyer Advance

Tous les produits Hoyer sont conçus de manière à ne nécessiter qu'un entretien minimal; toutefois, certaines vérifications et procédures de sécurité sont nécessaires. Un tableau des tâches QUOTIDIENNES est présenté ci-après. Une liste de pièces détachées est disponible sur demande.

### LISTE DE VÉRIFICATIONS QUOTIDIENNES

Joerns Healthcare conseille fortement d'effectuer les vérifications suivantes chaque jour et avant d'utiliser le lève-personne.

- ASSUREZ-VOUS que le lève-personne se déplace facilement sur ses roulettes.
- ASSUREZ-VOUS que la barre d'écartement tourne et pivote facilement. Vérifiez qu'elle est bien fixée sur la flèche.
- RECHERCHEZ les signes d'usure sur les crochets des courroies de la barre d'écartement et sur les dispositifs de suspension latéraux. Dans le doute, ne les utilisez pas.
- INSPECTEZ les courroies afin de détecter tout éventuel signe d'effilochage ou d'usure. N'UTILISEZ PAS de courroie endommagée.
- ASSUREZ-VOUS que les pieds s'ouvrent et se referment correctement.
- ACTIONNEZ la commande manuelle ou l'unité hydraulique pour confirmer que la flèche se lève et s'abaisse normalement.
- ASSUREZ-VOUS que l'alarme de batterie faible ne se déclenche pas lorsque la commande manuelle est actionnée (lève-personne électrique uniquement). Si l'alarme retentit, N'UTILISEZ PAS l'appareil et mettez-le sous charge immédiatement.
- Les appareils électriques ACTIVÉS permettent de vérifier le fonctionnement du bouton d'arrêt d'urgence.
- Les appareils hydrauliques EN MARCHÉ permettent de vérifier l'absence de fuites de fluide hydraulique. Toute fuite doit être signalée immédiatement à un ingénieur services et l'appareil ne doit pas être utilisé avant d'avoir été révisé.

### ENTRETIEN, INSPECTION ET ESSAIS

Joerns Healthcare recommande d'effectuer régulièrement une inspection et des essais poussés du lève-personne Hoyer Advance et des accessoires, courroies, etc. La fréquence des inspections varie selon l'endroit. Veillez vous renseigner auprès de votre revendeur et / ou d'un organisme gouvernemental local sur la périodicité requise des inspections. Les examens et les essais doivent être effectués suivant les recommandations et les procédures énoncées dans le présent manuel. Dans la mesure du possible, Joerns Healthcare recommande que l'entretien, les inspections et les essais certifiés soient effectués uniquement par un agent d'entretien ou un revendeur agréé.

**REMARQUE:** Ces recommandations sont conformes aux normes d'Hygiène et de Sécurité No2307 de 1998. Réglementations sur les opérations et l'équipement de levage 1998. Il s'agit d'une réglementation du Royaume-Uni. En dehors du Royaume-Uni, veuillez vous renseigner sur les règlements de votre pays.

**\*CES VÉRIFICATIONS DOIVENT PORTER SUR:**

✓ = Nécessaire    X = Recommandé

\* 6 mois en Amérique de Nord

	Initialement	Avant utilisation	Intervalles d'entretien *
1. <b>BARRE D'ÉCARTEMENT</b> : Vérifiez que la barre d'écartement tourne et pivote librement. Vérifiez l'absence d'usure sur le pivot central. Assurez-vous qu'elle est solidement fixée sur la flèche.	✓	✓	✓
2. <b>FLÈCHE</b> : Vérifiez que la flèche est fixée sur le mât. Assurez-vous que le mouvement latéral de la flèche est minimal et qu'elle tourne librement sur son roulement.	✓	✓	✓
3. <b>MÂT</b> : Vérifiez le fonctionnement du dispositif de verrouillage du mât. Assurez-vous que le mât s'engage entièrement dans la douille. Vérifiez le montage de l'actionneur inférieur ou de l'unité hydraulique.	✓	✓	✓
4. <b>ACTIONNEUR : (modèle électrique uniquement)</b> : Hormis la vérification du bon fonctionnement et la recherche de bruits inhabituels, l'actionneur ne nécessite en principe aucun entretien.		X	✓
5. <b>BOÎTIER DE COMMANDE : (modèle électrique uniquement)</b> : Vérifiez le bon fonctionnement du bouton d'arrêt d'urgence. Vérifiez le branchement de la prise de la commande manuelle. Vérifiez le fonctionnement de la commande manuelle. Vérifiez que les commandes de secours fonctionnent correctement. <b>ATTENTION:</b> La charge MINIMALE requise pour abaisser manuellement le lève-personne à l'aide de la fonction d'abaissement mécanique d'urgence est de 30 kg	✓	✓	✓
6. <b>BATTERIES (modèle électrique uniquement)</b> : Les batteries sont logées dans le bloc d'alimentation et, à l'exception de recharges régulières effectuées conformément aux instructions de charge, elles ne nécessitent en principe aucun entretien. Veillez à ce que les connexions restent propres.			✓
7. <b>UNITÉ HYDRAULIQUE</b> : À l'exception de la vérification du bon fonctionnement et de la détection de fuites de fluide hydraulique, l'unité hydraulique ne nécessite en principe aucun entretien.		✓	✓
8. <b>RÉGLAGE DES PIEDS</b> : Vérifiez que les pieds s'étendent complètement dans les deux sens (vers l'intérieur et vers l'extérieur).	✓	✓	✓
9. <b>ROULETTES</b> : Vérifiez que toutes les roulettes sont solidement fixées sur les pieds. Vérifiez que les roulettes et les roues tournent librement.	✓	✓	✓
10. <b>NETTOYAGE</b> : Nettoyez au savon ordinaire et à l'eau et /ou avec un désinfectant pour surfaces dures. Les produits de nettoyage chimiques corrosifs ou les abrasifs doivent être évités, car ils peuvent endommager le fini du lève-personne. Évitez de mouiller les pièces électriques.		X	✓
11. <b>ESSAI DE CHARGE</b> : L'essai de charge doit être effectué conformément aux procédures d'essai préconisées par le fabricant.			X
12. <b>BASE ET ROUES</b> : Assurez-vous que la base est régulière et nivelée (les quatre roues reposent sur le sol).	✓	✓	✓
13. <b>COURROIES</b> : Vérifiez qu'elles ne sont pas usées, ni effilochées.	✓	✓	✓
14. <b>LUBRIFICATION</b> : Huilez les joints pivotants, y compris les pièces reliant le mât et la flèche, l'ensemble de la pédale, la barre d'écartement et le joint (seulement si nécessaire).			✓
15. <b>FIXATIONS</b> : Vérifiez que les écrous, boulons, vis et fixations ne présentent pas de signe d'usure et sont correctement serrés. Remplacez-les si nécessaire.			✓

## 9. Spécifications Techniques

Spécification	Électrique	Hydraulique
Charge maximale d'utilisation.....	341 livres..... 155Kgs .....	342 livres..... 155Kgs
Longueur maximale hors tout .....	51 pouces..... 1300mm .....	49,2 pouces..... 1250mm
Longueur minimale hors tout.....	49 pouces..... 1250mm .....	47,2 pouces..... 1200mm
Hauteur maximale hors tout.....	73 pouces..... 1860mm .....	72,6 pouces..... 1845mm
Hauteur minimale hors tout.....	53,5 pouces..... 1360mm .....	53,1 pouces..... 1350mm

### Dimensions de l'appareil replié

Hauteur .....	17,1 pouces..... 450mm .....	16,9 pouces..... 470mm
Profondeur .....	46,4 pouces..... 1180mm .....	46,5 pouces..... 1230mm
Largeur.....	21,6 pouces..... 550mm .....	23,0 pouces..... 550mm

Hauteur maximale de la barre d'écartement ..	66,5 pouces..... 1690mm .....	64,6 pouces..... 1640mm
Hauteur minimale de la barre d'écartement (utilisable) .....	15,3 pouces..... 390mm .....	15,4 pouces..... 390mm
Hauteur à portée maximaleum .....	46 pouces..... 1170mm .....	33,5 pouces..... 850mm
Portée à hauteur maximaleum .....	25,6 pouces..... 650mm .....	28,0 pouces..... 710mm
Portée à hauteur minimaleum .....	13,7 pouces..... 350mm .....	15,4 pouces..... 390mm
Portée maximaleum* .....	32,8 pouces..... 835mm .....	33,5 pouces..... 850mm
Rayon de braquage.....	55,9 pouces..... 1420mm .....	41,0 pouces..... 1040mm
Pieds ouverts - largeur extérieure .....	42,5 pouces..... 1080mm .....	43,7 pouces..... 1110mm
Pieds ouverts - largeur intérieure .....	39,3 pouces..... 1000mm .....	45,7 pouces..... 1160mm
Pieds fermés - largeur extérieure .....	26,3 pouces..... 670mm .....	25,2 pouces..... 640mm
Pieds fermés - largeur intérieure .....	22,4 pouces..... 570mm .....	21,7 pouces..... 550mm
Hauteur des pieds, hors tout.....	4,5 pouces..... 115mm .....	4,7 pouces..... 120mm
Garde au sol.....	1,1 pouces..... 30mm .....	1,2 pouces..... 30mm
Roulettes jumelées avant.....	3,0 pouces..... 75mm .....	3 pouces..... 75mm
Roulettes arrière à freins.....	3,9 pouces..... 100mm .....	4 pouces..... 100mm

\*Portée = distance entre le centre de la barre d'écartement et l'avant du mât

### Poids

Ensemble mât, base et flèche .....	63,1 livres.....28,9kgs .....	63,7 livres.....26,8kgs
Bloc d'alimentation .....	6,2 livres.....2,8kgs .....	N/A..... N/A
Total .....	69,9 livres.....31,7kgs .....	59 livres.....26,8kgs
Base (sans la batterie).....	32,8 livres.....14,9kgs .....	32,9 livres.....14,9kgs
Mât et flèche (sans la batterie) .....	30,9 livres.....14,0kgs .....	26,3 livres.....11,9kgs

Toutes les mesures sont indiquées avec une tolérance de +5 / -5.

**SPÉCIFICATIONS ÉLECTRIQUES :**

BATTERIES.....	24 volts, type plomb-acide, scellées rechargeables
CAPACITÉ DES BATTERIES.....	3,2 A/h
VALEURS NOMINALES D'ENTRÉE DU CHARGEUR ....	100 - 240 V CA/ 50/60 Hz
VALEURS NOMINALES DE SORTIE DU CHARGEUR ...	29,5 V CC, à Max. 19 W

**PROTECTION CONTRE LES DÉCHARGES ÉLECTRIQUES**

CHARGEUR.....	CLASSE II (EN 60601-1)
LÈVE-PERSONNE.....	SOURCE D'ALIMENTATION INTERNE

**DEGRÉ DE PROTECTION CONTRE LES DÉCHARGES**

CHARGEUR.....	TYPE B (EN 60601-1)
LÈVE-PERSONNE.....	TYPE B (EN 60601-1)

**CONDITIONS ENVIRONNEMENTALES :**

En dehors de ce type d'environnement le fonctionnement et la sécurité de l'appareil peuvent être compromis.

**FONCTIONNEMENT :**

TEMPÉRATURE .....	5°C à 40°C
HUMIDITÉ RELATIVE.....	20% à 90% @ 30°C - sans condensation
PRESSION ATMOSPHÉRIQUE.....	700 à 1060 hPa

**ENTREPOSAGE :**

TEMPÉRATURE .....	-10°C à +50°C
HUMIDITÉ RELATIVE.....	20% à 90% @ 30°C - sans condensation
PRESSION ATMOSPHÉRIQUE.....	700 à 1060 hPa

**PROTECTION D'ENTRÉE**

BOÎTIER DE COMMANDE .....	IPX4
ACTIONNEUR .....	IPX4
CHARGEUR NON TRANSPORTÉ .....	IPX5
BATTERIE .....	IPX5
COMBINÉ .....	IPX5

**CYCLES DE SERVICE**

ACTIONNEUR .....	10% (2 min./18 min.)
CHARGEUR .....	Environ 4 heures

**ACOUSTIQUE**

Niveau sonore pondéré A .....	60 dB (A)
-------------------------------	-----------

## PRINCIPAUX SYMBOLES :

Vous trouverez les symboles suivants sur le chargeur, l'unité de commande et la batterie :



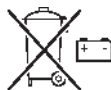
Equipement de type B, conformément à EN 60601-1



Equipement de Classe 2



Ne pas jeter le chargeur et l'unité de commande avec les déchets ménagers.



Ne pas jeter la batterie avec les déchets ménagers.



Ne pas jeter les composants électroniques avec les déchets ménagers.



Utilisation à l'intérieur



ATTENTION, consultez les documents fournis.

Numéro DEEE : WEE/GG0464RZ



## 10. Garantie

Cette garantie couvre uniquement les lève-personnes HoyerPro. Les lève-personnes non couverts par cette garantie sont, sans s'y limiter: HML400, HPL600WB, HPL600WBSC, HPL402, C-HLA (et variations).

Le lève-personne HoyerPro est garanti pour une période de deux ans à compter de la date de livraison contre tout vice de matériau et de fabrication dans des conditions normales d'utilisation et d'entretien. La garantie couvre tous les composants mécaniques et électriques.

Les composants structurels en aluminium et les pièces mécaniques du lève-personne sont couverts par une garantie de cinq (5) ans à compter de la date de livraison.

Tout endommagement dû à des conditions d'utilisation inadaptées ou à l'absence d'entretien conformément aux consignes d'utilisation et d'entretien n'est pas couvert par la garantie. Toute transformation, modification ou réparation, à moins d'avoir été effectuée par ou approuvée par écrit par Joerns Healthcare, a pour effet d'annuler la garantie.

### Pièces:

Le lève-personne HoyerPro contient des pièces susceptibles de s'user au cours de l'utilisation normale. Ces pièces, telles que les batteries cc et les roulettes, n'entrent pas dans la garantie de deux ans, mais sont couvertes pendant 90 jours à compter de la date de livraison.

En vertu de cette garantie, l'obligation de Joerns Healthcare se limite à la fourniture des pièces de rechange, à la réparation ou au remplacement, à son entière discrétion, de tout produit déterminé comme étant défectueux par Joerns Healthcare.

Les pièces de rechange sont couvertes par la garantie jusqu'à expiration de la période de garantie initiale du produit.

À la demande de Joerns Healthcare, les pièces doivent être renvoyées pour inspection aux frais du client. Un avoir sera remis après l'inspection uniquement.

### Révision:

La plupart des révisions sont effectuées par le service d'entretien, en collaboration avec le service après-vente de Joerns Healthcare.

La majorité des pièces peuvent être expédiées par avion dès le lendemain, aux frais du client.

En cas de nécessité, un technicien, pourra, à la discrétion de Joerns Healthcare, être envoyé sur place. Seul le service après-vente de Joerns Healthcare est habilité à envoyer des techniciens agréés sur place.

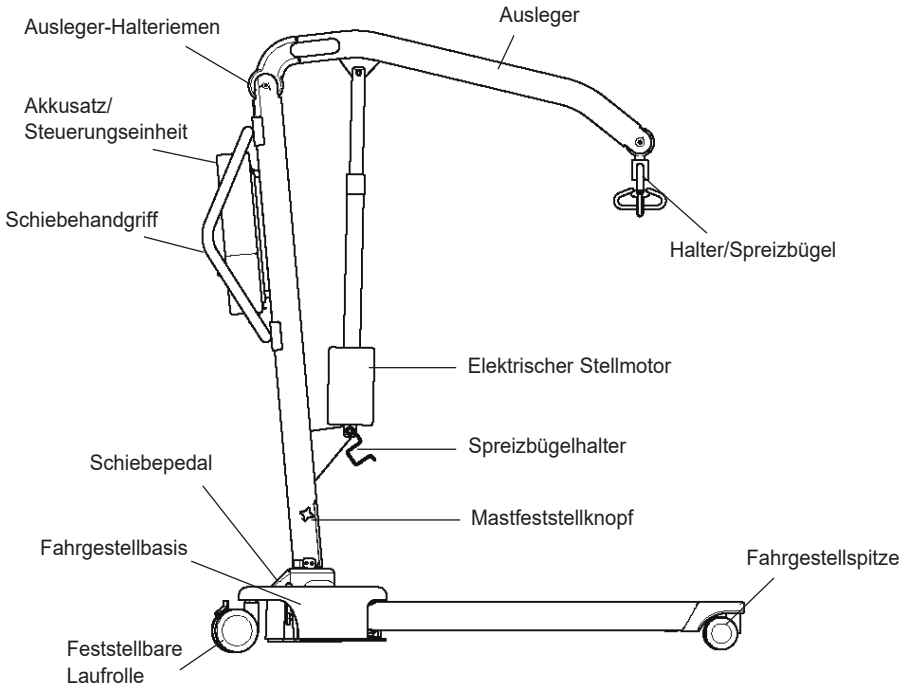
Cette garantie est étendue à l'acheteur original du produit.

## Inhalt

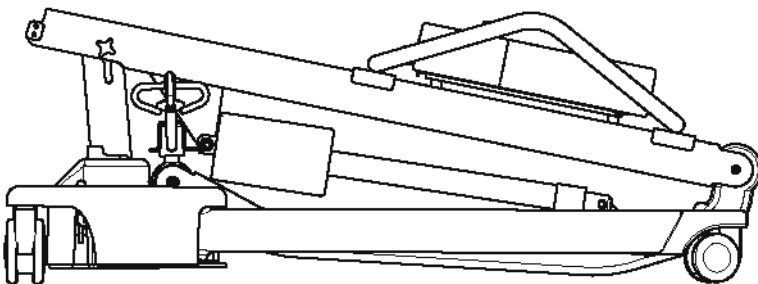
1. Hoyer Advance Patientenlifter.....	43
2. Einführung: Hoyer Advance Patientenlifter.....	44
3. Montage und Inbetriebnahme.....	45
4. Demontage.....	47
5. Sicherheitshinweise.....	50
6. Steuerkasten und Handbedienung.....	52
7. Bedienungshinweise.....	53
8. Wartungsplan.....	56
9. Technische Daten.....	58
10. Prüfung.....	61

# 1. Hoyer Advance Patientenlifter

## Hoyer Advance Lifter (betriebsbereit)



## Hoyer Advance Lifter (zusammengeklappt)



## 2. Einführung: Hoyer Advance Patientenlifter

Der Hoyer Advance ist in zwei Ausführungen lieferbar: für hydraulischen oder elektrischen Betrieb. In diesem Handbuch sind beide Advance-Ausführungen beschrieben. Der Lifter wird vor der Auslieferung vollständig montiert, unter Last getestet und zertifiziert.

Die Verpackung besteht aus einem festen, zweckmäßig geformten Versandkarton für den sicheren Transport des Lifters und wird sowohl für den heimischen Markt als auch für den Export verwendet. Mit jedem Lifter werden die zugehörigen Dokumente in einer beiliegenden Tasche geliefert, die für die spätere Verwendung sicher aufbewahrt werden müssen.

- PRÜFZERTIFIKAT
- HÄNDLER-GARANTIEKARTE
- BENUTZERHANDBUCH
- CUSTOMER SATISFACTION CARD

Das PRÜFZERTIFIKAT ist ein wichtiges Dokument und sollte für Referenzzwecke aufbewahrt werden. Für die ordnungsgemäße Wartung Ihres Lifters befolgen Sie bitte den Wartungsplan, der in diesem Dokument enthalten ist. Wenn Sie unsicher sind, welche Wartungsanforderungen für Ihren lokalen Markt gelten, erkundigen Sie sich bei Ihrem Händler und/oder bei der zuständigen Behörde.

### Sachgemäße Anwendung des Lifters

Die bestimmungsgemäße Verwendung dieser Hebevorrichtung ist das sichere Heben und Umlagern einer Person von einer Ruhefläche zu einer anderen (wie etwa von einem Bett in einen Rollstuhl). Joerns Healthcare empfiehlt, für die Umlagerung von Patienten eine vollständige Risikoanalyse durchzuführen und nur über kurze Entfernung umzulagern.

Der Hoyer Advance ist für Patienten in SITZENDER, SITZENDER/LIEGENDER und LIEGENDER Position geeignet.

Der Hoyer Advance ist dafür ausgelegt, die sichere Handhabung und das sichere Umlagern von Patienten sowohl für den Patienten als auch für die Pflegeperson zu unterstützen und zu fördern. Zum Falten ist kein Werkzeug erforderlich und er kann damit auch in beengten Platzverhältnissen einfach eingelagert werden. Der Hoyer Advance kann auch in zwei Teile zerlegt werden, um den Transport in Fahrzeugen mit einem geeigneten Kofferraum zu ermöglichen.

Der Hoyer Advance Patientenlifter verfügt über einen 6-Punkt-Spreizbügel und ist für die Verwendung mit Hoyer Gurten ausgelegt. Beispiele für Gurte, die für dieses Gerät geeignet sind, werden wie folgt angegeben:

- Hoyer Quickfit
- Hoyer Gurt mit hohem Rücken
- Hoyer Quickfit Deluxe
- Hoyer Langer Sitz
- Hoyer Access Gurt
- Hoyer Silkfit

### Erwartete Lebensdauer

Hoyer Professional Patientenlifter sind für eine Lebensdauer von mindestens zehn (10) Jahren ausgelegt und geprüft, vorausgesetzt, die in diesem Handbuch beschriebenen Verfahren für Gebrauch und Wartung werden eingehalten. Bei einer Verwendung, die nicht den Angaben in dieser Anleitung entspricht, kann die Lebensdauer beeinträchtigt werden.

### 3. Montage und Inbetriebnahme

#### Kartoninhalt

Stellen Sie den Versandkarton in einem freien Arbeitsbereich auf, und öffnen Sie ihn vorsichtig. Der Karton enthält folgende Teile:

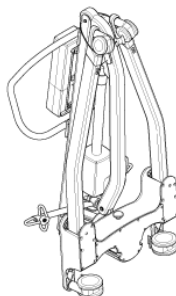
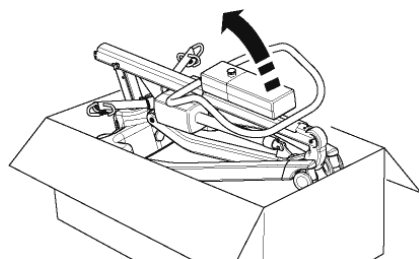
- HOYER ADVANCE
- TASCHE MIT DOKUMENTEN
- HANDBEDIENUNG (NUR ELEKTRO-AUSFÜHRUNG)
- AKKUEINHEIT (NUR ELEKTRO-AUSFÜHRUNG)
- AKKULADEKABEL (NUR ELEKTRO-AUSFÜHRUNG)
- HYDRAULIKEINHEIT (NUR HYDRAULIK-AUSFÜHRUNG)

**SICHERHEITSHINWEIS:** Der Hoyer Advance ist schwer und muss vorsichtig gehoben werden. Holen Sie sich Hilfe, um den Hoyer Advance aus dem Karton zu heben.

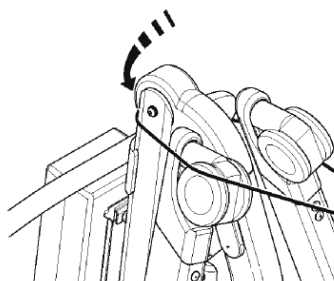
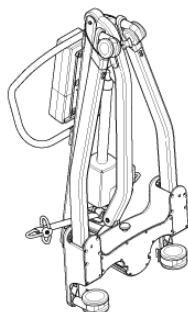
#### Montageanweisungen

1. Nehmen Sie alle Teile aus dem Karton heraus, legen Sie sie auf den Boden und achten Sie darauf, dass die Oberfläche des Geräts nicht beschädigt wird.

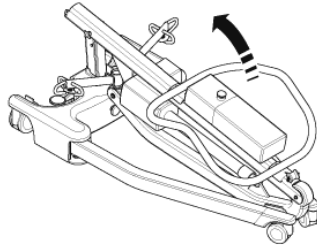
Heben Sie den Advance vorsichtig aus dem Karton heraus. Stellen Sie den Lifter hochkant (Dreiecksstellung).



2. Lösen Sie Fahrgestell und Mast-Baugruppe, indem Sie den Halteriem von den Rädern entfernen. Der Riemen wird im oberen Bereich des Mastes eingezogen.

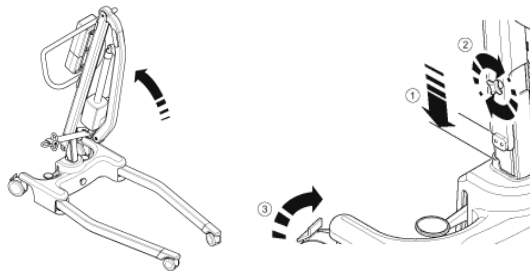


3. Legen Sie den Advance flach auf den Boden (vergewissern Sie sich, dass die hinteren Laufrollen festgestellt sind).

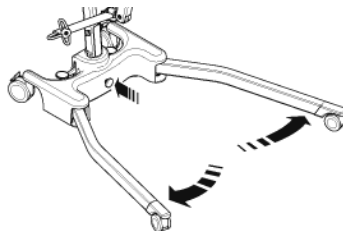


4. Heben Sie den kompletten Mast aufrecht an (mit der Oberseite des Schiebegriffs) und senken Sie den Mast so in die Aussparung ab, dass die Schilder mit den Einrastmarkierungen des Masts (1) ausgerichtet sind, ziehen Sie die Einrastknöpfe für den Mast (2) fest und lösen Sie die Bremse an den Lenkrädern (3).

**SICHERHEITSHINWEIS:** Quetschgefahr: Halten Sie die Finger vom Mastende fern, wenn Sie den Mast in die Mastaufnahme einsetzen. Ziehen Sie den Mast-Feststellknopf fest, und lösen Sie die festgestellten hinteren Laufrollen.



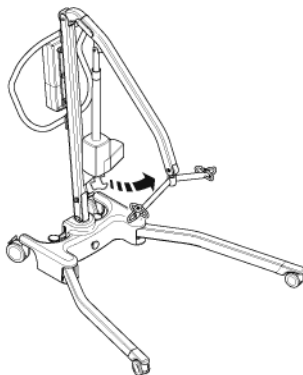
5. Spreizen Sie die Träger des Fahrgestells vollständig auf. VERGEWISSERN SIE SICH, dass die Fahrgestellsicherung ganz in das Gussteil hineingedrückt ist und das Fahrgestell sich nicht mehr frei bewegen lässt. Die Träger lassen sich dann nur noch mit dem Fußpedal auf der Rückseite der Basis verstellen.



### ⚠ WARNUNG

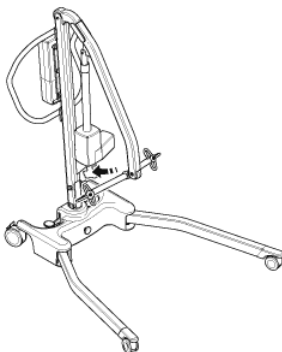
Wenn das Fahrgestell durch die Betätigung des Fußpedals NICHT verstellt wird, benutzen Sie den Patientenlifter NICHT. Überprüfen Sie, dass die Fahrgestellsicherung ganz hineingedrückt ist. Wenn die Fahrgestellsicherung nicht ganz hineingedrückt werden kann und das Fahrgestell durch die Betätigung des Fußpedals NICHT verstellt wird, wenden Sie sich an Ihren autorisierten Joerns Healthcare Fachhändler für eine Überprüfung und Reparatur.

6. Lösen Sie den Spreizbügel von der Halterung. Der Patientenlifter ist jetzt betriebsbereit.

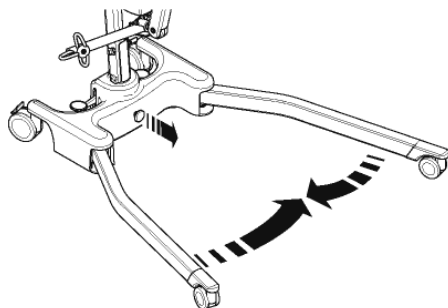


## 4. Demontage

1. Senken Sie den Mast in die niedrigste Position, und setzen Sie dann den Spreizbügel in den Spreizbügelhalter.



2. Lösen Sie die Fahrgestellsicherung (aus der Fahrgestellbasis ziehen) und führen Sie die Fahrgestellträger eng zusammen.

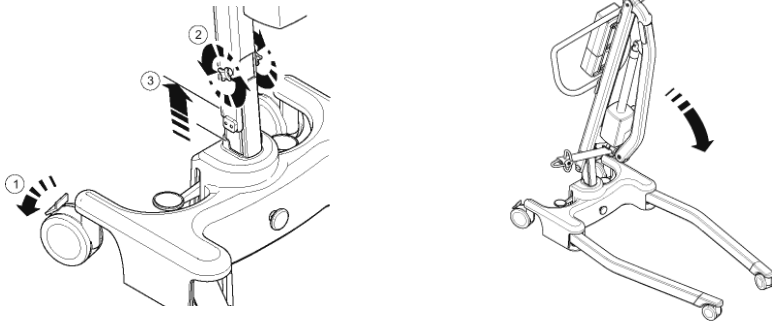


3. Lösen Sie den Mastfeststellknopf so weit, dass der Mast nach oben angehoben werden kann. Heben Sie den Mast ganz an, d.h., bis der obere Anschlag erreicht ist. Falten Sie den Mast vorsichtig zum Fahrgestell hin. Verwenden Sie dazu den Schiebegriff.

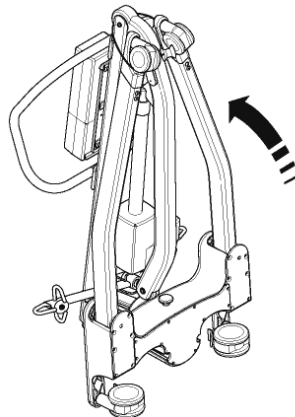
### ▲ HINWEIS

Wenn Sie beim Falten des Masts einen Widerstand feststellen, wenden Sie **KEINE** Gewalt an. Heben Sie den Mast wieder an, bis der obere Anschlag erreicht ist und versuchen Sie dann erneut, ihn zu falten.

**HINWEIS:** Wenn Sie Mast und Ausleger von Fahrgestellbasis und -trägern trennen möchten, drehen Sie die Mast-Feststellknöpfe vollständig heraus (entfernen), und heben Sie Mast und Ausleger vollständig aus der Basis. Achten Sie darauf, dass Knopf und Positionszapfen der Mastsicherung nicht gelöst werden.



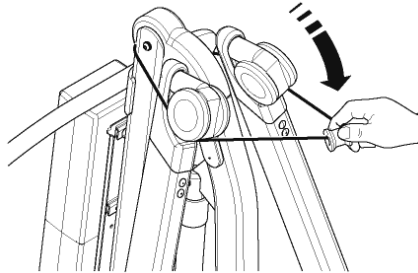
4. Stellen Sie den zusammengeklappten Advance hochkant (mit Fahrgestellträgern und Schiebegriff führen), und achten Sie darauf, dass Mast und Ausleger beim Hochstellen zusammen bleiben.





5. Ziehen Sie den Halteriem steil nach oben, und legen Sie ihn über die Laufrollen. (Mit dem Riemen werden Fahrgestell, Mast und Ausleger für Transport und Lagerung arretiert).

**HINWEIS:** Das Zerlegen bzw. Aufstellen des Advance ist mit Vorsicht auszuführen, da die Gefahr besteht, dass Finger oder andere Körperteile beteiligter Personen gequetscht werden. Befolgen Sie strikt die Anweisungen, und holen Sie sich Hilfe, wenn Ihnen die korrekte Vorgehensweise nicht klar ist.



### PRÜFEN SIE VOR DEM BETRIEB STETS DIE FOLGENDEN PUNKTE

- Die Fahrgestellträger sind vollständig gespreizt und gesichert (siehe Montageanweisungen, 5).
- Der Mast ist ordnungsgemäß in seiner Lage gesichert (siehe Montageanweisungen, 4)
- Das Fahrgestell lässt sich ordnungsgemäß öffnen und schließen, wenn das Fußpedal betätigt wird.
- Bringen Sie die Akkueinheit an der Halterung am Mast an und vergewissern Sie sich, dass die Sicherungsverriegelung ganz arretiert ist und hörbar einrastet (Klickgeräusch).
- Der rote Not-Halt-Knopf hinten am Steuerkasten befindet sich in der HERAUSGEZOGENEN Stellung
- Drücken Sie die Tasten ANHEBEN und ABSENKEN an der Handbedienung und überprüfen Sie, dass der Ausleger richtig funktioniert.

### NUR HYDRAULIK-AUSFÜHRUNGEN

- Schließen Sie das Stellventil der Hydraulik, indem Sie die Ventilschraube an der Hydraulikeinheit im Uhrzeigersinn drehen.  
**HINWEIS:** Das Stellventil funktioniert mit geringem Kraftaufwand und sollte daher nur per Hand geschlossen werden. Der Ventilknopf darf NICHT mit Gewalt betätigt werden, da sonst das Ventil beschädigt wird.
- Pumpen Sie mit dem Hebel der Hydraulikeinheit, und vergewissern Sie sich, dass der Druck den Ausleger hebt.
- Öffnen Sie das Stellventil vollständig (gegen den Uhrzeigersinn), und überprüfen Sie, ob sich der Ausleger senkt. Ein unbelasteter Ausleger wird nicht vom eigenen Gewicht gesenkt. Unter Umständen muss auf den Ausleger etwas Druck ausgeübt werden, bevor er sich absenken lässt.  
**HINWEIS:** Das Stellventil ist nach weniger als zwei Umdrehungen des Ventilknopfes vollständig geöffnet (Anschlag).

### **⚠** WARNUNG

Beim Absenken von Patienten das Ventil immer sehr langsam öffnen. Wenn das Ventil schnell geöffnet wird, kann sich der Ausleger schnell absenken, dies stellt eine Verletzungsgefahr für den Patienten dar.

## 5. Sicherheitshinweise

Lesen und befolgen Sie die nachfolgend aufgeführten Sicherheitshinweise. Betrieb und Funktionsweise des Hoyer Patientenlifters sind einfach und direkt. Wenn Sie diese grundlegenden Sicherheitsvorkehrungen beachten, ist der Hebebetrieb leicht und problemlos.

**DER "ADVANCE" LIFTER DARF NUR VON PERSONEN VERWENDET WERDEN, DIE DIESES BENUTZERHANDBUCH GELESEN UND VERSTANDEN HABEN.**

**WARNUNG:** Wichtige Sicherheitsinformationen über Gefahren, die schwere Verletzungen zur Folge haben können.

**VORSICHT:** Informationen zur Vermeidung von Beschädigungen am Produkt.

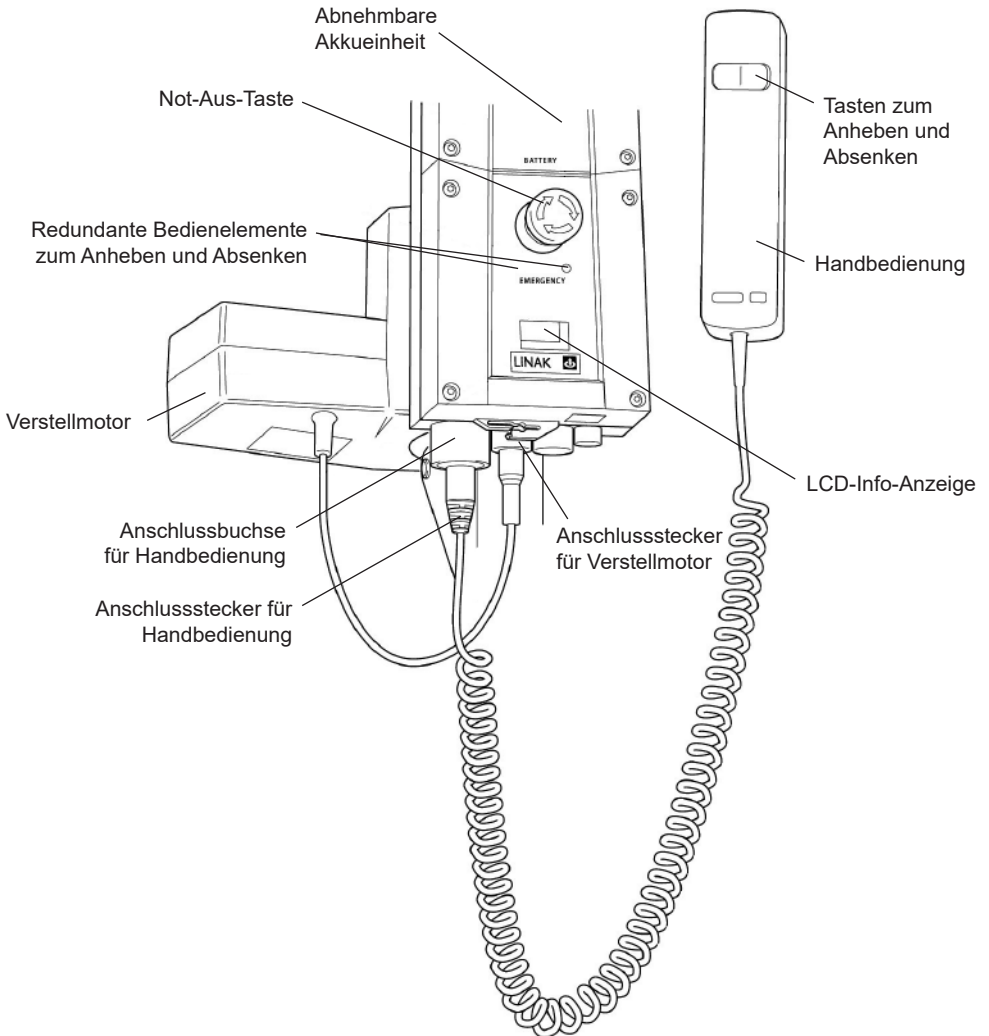
**HINWEIS:** Informationen, auf die Sie besonders achten sollten.

### **WARNUNG**

- Planen Sie die mit dem Lifter auszuführenden Aufgaben **STETS** bevor Sie beginnen.
- Gehen Sie vor jedem Einsatz des Lifters die **TÄGLICHE PRÜFLISTE** (Seite 76) durch.
- Machen Sie sich vor jedem Heben von Patienten mit den Bedienungselementen und Sicherheitseinrichtungen des verwendeten Lifters vertraut.
- Verwenden Sie **KEINE** Gurte, die nicht ausdrücklich zur Verwendung mit diesem Lifter empfohlen werden.
- Prüfen Sie **STETS**, ob der Gurt für den speziellen Patienten geeignet ist und die korrekte Größe und Tragfähigkeit besitzt.
- Verwenden Sie **NIEMALS** Gurte, die ausgefranst oder beschädigt sind.
- Passen Sie die Gurte **STETS** gemäß den Anweisungen (Benutzerhandbuch) an.
- Vergewissern Sie sich, dass die zulässige Arbeitsbelastung des Lifters für das Gewicht des Patienten ausreicht.
- Bedienen Sie den Lifter **STETS** gemäß den Anweisungen im Betriebshandbuch.
- Bedienungs- oder Sicherheitselemente dürfen **AUF KEINEM FALL** entfernt oder außer Kraft gesetzt werden, um den Lifter-Betrieb zu vereinfachen.
- Heben Sie Patienten **NIEMALS** mit festgestellten Laufrollen an. Der Lifter muss sich stets auf den richtigen Schwerpunkt positionieren können.
- Manövrieren Sie den Lifter **NIEMALS** durch Schieben am Mast, Ausleger oder am Patienten.
- Manövrieren Sie den Lifter **STETS** mit dem vorhandenen Handgriff.
- Senken Sie den Patienten vor Beginn des Transfers **STETS** auf die niedrigste bequeme Position.
- Schieben Sie den beladenen Lifter **NICHT** bei Geschwindigkeiten, die über der Schrittgeschwindigkeit liegen (3 km/h, 0,8 m/s).
- Schieben Sie den Patientenlifter **NICHT** über unebenen oder rauen Untergrund, vor allem nicht, wenn er beladen ist.

- Schieben/ziehen Sie den beladenen Lifter NICHT über Hindernisse am Boden, die von den Laufrollen nicht überfahren werden können.
- Betätigen Sie die Bedienungs-/Sicherheitselemente NIEMALS mit Gewalt. Alle Elemente sind leichtgängig und ohne Gewalt zu betätigen.
- Die MINDESTLAST zum manuellen Absenken des Patientenlifters mit der mechanischen Notabsenkung beträgt 30 kg.
- Parken Sie den beladenen Lifter NICHT auf schiefen Ebenen.
- Verwenden Sie elektrische Lifter NICHT in Duschbädern.
- Laden Sie elektrische Lifter NICHT in Bädern oder Duschräumen auf.
- Heben Sie KEINE Patienten, wenn Sie nicht dafür ausgebildet und kompetent sind.
- Der Lifter ist zum Heben von Patienten konzipiert worden. Er darf für KEINE anderen Zwecke verwendet werden.
- Der Lifter darf weder in beladenem noch in unbeladenem Zustand Stufen heruntergeschoben werden.
- Führen Sie den beladenen Lifter NICHT über schiefe Ebenen mit mehr als 1:12 (ca. 5 Grad) Gefälle.
- Führen Sie den Lifter NICHT ohne zweiten Helfer über schiefe Ebenen.
- Achten Sie vor dem Bewegen STETS darauf, dass der Lifter nicht gerade aufgeladen wird, da der elektrische Anschluss beschädigt werden kann.

## 6. Steuerkasten und Handbedienung



## 7. Bedienungshinweise

### 1. Einstellen der Fahrgestellbreite

Die Breite des Fahrgestells am Hoyer Advance ist einstellbar. Die Fahrgestellträger können gespreizt werden, um Sessel oder Rollstühle zu umschließen. Zum Transfer und zum Schieben durch Türen und Durchgänge muss das Fahrgestell immer in der geschlossenen Stellung verriegelt sein.

Zum Verstellen wird das Pedal zum Verstellen des Fahrgestells, das sich an der Rückseite der Basis befindet, auf der rechten Seite nach unten gedrückt, um das Fahrgestell zu öffnen und auf der linken Seite nach unten gedrückt, um das Fahrgestell zu schließen. Das Fahrgestell kann verstellt werden, während sich der Patient im Patientenlifter befindet.

### **WARNUNG**

**Führen Sie keine Hebe-/Transfervorgänge durch, wenn sich das Fahrgestell in der geschlossenen Stellung bzw. Transportstellung befindet (vordere Lenkrollen berühren sich). Die Stellung Geschlossen//Transport ist nur für die Lagerung und den Transport bestimmt.**

### 2. Laufrollen und Feststellbremsen

Der Lifter besitzt zwei feststellbare Laufrollen, die beim Abstellen benutzt werden. Während des Hebevorgangs müssen die Laufrollen frei und ungebremst sein, sodass sich der Lifter stets zum richtigen Schwerpunkt hin bewegen kann. Die Bremse NICHT betätigen. Wenn Sie die Bremse betätigen, kann der Patient zum Schwerpunkt geschwenkt werden und dies als beunruhigend oder unangenehm empfinden.

### 3. Heben und Senken des Auslegers

Die Hubbewegung des Auslegers erfolgt durch einen leistungsstarken elektrischen Stellmotor, der mit einer einfachen Handbedienung gesteuert wird. Auf der Handbedienung befinden sich zwei Taster mit den Richtungspfeilen AUFWÄRTS und ABWÄRTS. Der Stellmotor stoppt automatisch in der oberen bzw. unteren Endlage. Die Handbedienung ist an einer Buchse unten an der Steuereinheit angeschlossen. Auf der Rückseite der Handbedienung befindet sich ein Haken, mit dem man die Handbedienung bei Nichtbenutzung am Mast oder Ausleger aufhängen kann.

### 4. Not-Aus

Der rote Not-Aus-Taster befindet sich auf der Rückseite der Steuereinheit und wird durch Drücken ausgelöst. In diesem Fall wird die gesamte Stromzufuhr zum Lifter unterbrochen. Um den Not-Aus-Zustand aufzuheben, wird der Taster gegen den Uhrzeigersinn gedreht, bis er herauspringt.

### 5. Redundante Steuerung:

Der Taster für die Notabsenkung befindet sich auf der Rückseite der Steuereinheit. Er wird ausgelöst, indem Sie eine Kugelschreiberspitze auf den mit „lower“ gekennzeichneten Taster drücken. Mit dieser Funktion kann der Ausleger jederzeit gesenkt werden, wenn die Handbedienung ausfällt.

### 6. Mechanische Notabsenkung

Für den Fall eines kompletten Stromausfalls ist der elektrische Verstellmotor mit einem mechanischen Absenkmekanismus (ROTHER KNOFF) ausgestattet. Der Mechanismus funktioniert nur, wenn sich der Lifter unter Last befindet. Zum Auslösen ziehen Sie den Mechanismus nach oben. Die Vorrichtung senkt sich langsam ab.

**HINWEIS:** Die MINDESTLAST zum manuellen Absenken des Patientenlifters mit der mechanischen Notabsenkung beträgt 30 kg.

## 7. Akkus

Die Akkus werden durch einen LADEZUSTANDSALARM vor zu starker Entladung geschützt. Dieser Alarm ertönt bei Betätigung der Handbedienung, wenn die Batterien aufgeladen werden müssen. Der Alarmton wird nur dann ausgelöst, wenn die Handbedienung betätigt wird. **VORSICHT: DIESER ALARM IST UNBEDINGT ZU BEACHTEN.** Führen Sie den Hebevorgang zu Ende, und laden Sie die Akkus der Lifters auf (siehe „Aufladen der Akkueinheit“).

## 8. Heben und Senken des Auslegers (Hydraulik-Ausführung)

### **WARNUNG**

**Die Festhalteschraube des Hydraulikhebers darf nur von entsprechend autorisierten und befähigten Ingenieuren gelockert oder losgeschraubt werden. Niemals belasten, während der Benutzer den Hydrauliklifter drehen muss. Wenn der Benutzer beabsichtigt, den Heber stark zu drehen, kann dieser u.U. mit dem Patienten kollidieren oder unvorhergesehene Gefahren für den Patienten bzw. das Pflegepersonal verursachen.**

Das Heben und Senken des Auslegers erfolgt mit einer leistungsstarken Hydraulik, die mit zwei einfachen Bedienungselementen betätigt wird: dem Stellventil, das an dem silbernen Sterngriff erkennbar ist, und dem Pumpgriff, einem langen Hebel seitlich der Hydraulikeinheit zum Heben des Auslegers. Das Ventil wird durch eine sanfte, vollständige Drehung des Sterngriffs im Uhrzeigersinn geschlossen. Wenn das Ventil geschlossen ist, pumpen Sie mit dem langen Hebel. Die beste Wirkung wird mit sanften, gleichmäßigen Pumpbewegungen erzielt. Der Hebel wird aus der senkrechten Lage in einem 90-Grad-Bogen bewegt. Wenn Sie nicht pumpen, lassen Sie den Hebel in senkrechter Lage.

Bewegen Sie den Hebel NICHT mit Gewalt über die oberen und unteren Anschläge hinaus. Die Hydraulikeinheit lässt sich drehen, sodass der Hebel von beiden Seiten des Lifters betätigt werden kann. Um den Ausleger zu senken, drehen Sie das Stellventil gegen den Uhrzeigersinn. Die Senkgeschwindigkeit wird größer, je mehr Sie das Ventil öffnen. Allerdings ist das Ventil begrenzt, sodass der Absenkvorgang auch bei vollständig geöffnetem Ventil kontrolliert abläuft. Diese Einrichtung ermöglicht ein „freihändiges“ Absenken. Wenn das Ventil nur teilweise (Vierteldrehung) geöffnet ist, kann das Pflegepersonal bei geringer Absenkgeschwindigkeit freihändig arbeiten, um dem Patienten behilflich zu sein. Vor dem Beginn der Hebevorgänge MUSS das Stellventil geschlossen werden. Zum Schließen oder Öffnen des Stellventils ist nur wenig Kraft erforderlich. Wenden Sie KEINE Gewalt an, um das Stellventil zu schließen oder zu öffnen. Dies ist unnötig und führt nur zu Schäden am Ventil.

## 9. Gurte

Der gewünschte Gurt wird an den Haken des Spreizbügels befestigt. Alle Gurte werden mit Gebrauchsanweisungen geliefert. Bitte lesen Sie die Bedienungsanleitung für den Patientenlifter und den Gurt vor der Benutzung durch. Wenn der passende Gurt für den Patienten ausgewählt ist, hängen Sie den Gurt an den Haken des Spreizbügels ein.

**HINWEIS: Für detaillierte Anleitungen zur Befestigung siehe die Bedienungsanleitung für die Gurte.**

### **WARNUNG**

Joerns Healthcare empfiehlt, die Gurte regelmäßig und vor dem Gebrauch auf Ausfransen oder andere Schäden zu prüfen. Verwenden Sie KEINE Gurte, die abgenutzt oder beschädigt sind.

### **WARNUNG**

**HOYER EMPFIEHLT DIE VERWENDUNG VON HOYER-ORIGINALTEILEN.** Hoyer-Sitze und -Lifts sind nicht mit den Produkten anderer Hersteller kompatibel und können nicht durch andere Produkte ausgetauscht werden. Der Einsatz der Produkte anderer Hersteller in Kombination mit Hoyer-Produkten birgt ein Gefahrenpotential und kann zu ernsthaften Verletzungen des Patienten und/oder des Betreuers führen.

### **WARNUNG**

Bitte beachten Sie die maximale Tragfähigkeit des Lifters. Die Kapazität der Gurte ist durch die maximale Tragfähigkeit des Lifters begrenzt.

## Aufladen der Akkueinheit

Die Akkus befinden sich in der Akkueinheit und werden über die Ladebuchse auf der Unterseite der Steuereinheit aufgeladen.

1. Stecken Sie den Stecker des Ladekabels in die Ladebuchse auf der Unterseite der Steuereinheit. Der Stecker wird geradlinig eingesteckt. Der Stecker darf NICHT in der Buchse verdreht werden.
2. Stecken Sie das Netzstromkabel des Ladegeräts in eine geeignete Netzsteckdose, und schalten Sie die Stromversorgung EIN.
3. Der Ladevorgang ist vollautomatisch. Die LCD-Anzeige zeigt den Ladezustand an.  
**HINWEIS:** Auch wenn das Ladegerät längere Zeit angeschlossen bleibt, sind die Akkus vor Überladung geschützt.
  - a) Grünes Licht - Zeigt an, dass es eingeschaltet ist.
  - b) Gelbes Licht - Zeigt an, dass die Batterie geladen wird.
  - c) Batterie ist ganz aufgeladen, wenn das gelbe Licht ausgeht.**HINWEIS:** Der Ladevorgang dauert bis zu 4 Stunden.  
Es wird empfohlen, die Batterie sofort nach dem Empfang aufzuladen.
4. Um den Lifter wieder in Betrieb zu nehmen, schalten Sie die Stromversorgung AUS, ziehen Sie den Stecker des Ladekabels ab, und trennen Sie das Ladegerät von der Netzspannung.

### **WARNUNG**

- **Akku, Ladegerät, Handsteuerung und Steuereinheit dürfen NUR von autorisiertem Personal geöffnet werden. (Wenden Sie sich wegen Garantie und Reparaturen an Ihren Fachhändler).**
- **Die Akkupole/Pole des Ladegeräts NICHT berühren.**
- **Die Akkus IMMER ganz aufladen. Lassen Sie die Akkueinheit immer aufladen, wenn sie nicht benutzt wird. Wenn es für Sie einfacher ist, laden Sie sie jede Nacht auf. Das Ladegerät schützt die Akkueinheit vor dem Überladen.**
- **Die Akkus NIE ganz entladen lassen. Sobald das Alarmsignal ertönt, den Hebevorgang zu Ende führen und die Akkus aufladen.**
- **Um eine mögliche Dauerschädigung des Akkus zu vermeiden, sollte der Akku aufgeladen werden, wenn das halb leere Akkusymbol auf dem Display angezeigt wird.**
- **Den Akku IMMER in regelmäßigen Abständen nachladen, wenn er für längere Zeit nicht verwendet wird.**
- **STETS darauf achten, dass die Netzspannung zum Ladegerät ausgeschaltet ist, bevor das Akkupaket angeschlossen oder abgenommen wird.**
- **Das Akkupaket NIE am Ladegerät angeschlossen lassen, wenn die Netzspannung zum Ladegerät ausgeschaltet ist.**
- **DAS LADEGERÄT NICHT eingeschaltet lassen, wenn der Akku nicht angeschlossen ist.**
- **DEN PATIENTENLIFTER WÄHREND DES LADEVORGANGS NICHT benutzen.**
- **ÜBERPRÜFEN Sie vor dem Verfahren, dass der Patientelifter nicht aufgeladen wird, da der elektrische Anschluss sonst dadurch beschädigt werden kann.**
- **DAS LADEGERÄT KEINESFALLS durch Ziehen am Kabel ausstecken.**
- **ACHTEN SIE DARAUF, dass Sie nicht über das Ladekabel stolpern.**
- **LADEN SIE ELEKTRISCHE PATIENTENLIFTER NICHT in Bädern oder Duschräumen auf.**

## 8. Wartungsplan für den Hoyer Advance

Alle Hoyer Produkte sind so konzipiert, dass sie nur ein Minimum an Wartung benötigen. Einige Sicherheitsprüfungen und -prozeduren sind jedoch unerlässlich. Im Folgenden sind die täglich auszuführenden Prüfungen aufgeführt. Eine Liste der Ersatzteile erhalten Sie auf Anfrage.

### TÄGLICHE PRÜFLISTE

Joerns Healthcare empfiehlt dringend, dass der Lifter täglich vor der Benutzung auf folgende Punkte überprüft wird:

- VERGEWISSERN SIE SICH, dass sich der Lifter frei auf den Laufrollen bewegen kann.
- VERGEWISSERN SIE SICH, dass der Spreizbügel frei drehbar und schwenkbar ist. Der Spreizbügel muss fest am Ausleger angebracht sein.
- PRÜFEN Sie Gurthaken am Spreizbügel und Seitenaufhängungen auf übermäßigen Verschleiß. Im Zweifelsfall nicht verwenden.
- PRÜFEN Sie Gurte auf Ausfransungen und andere Schäden. Beschädigte Gurte dürfen NICHT verwendet werden.
- VERGEWISSERN SIE SICH, dass das Fahrgestell sich einwandfrei öffnet und schließt.
- Betätigen Sie Handbedienung bzw. Hydraulikeinheit, um sicherzustellen, dass sich der Ausleger einwandfrei hebt und senkt.
- PRÜFEN Sie, ob am Lifter ein Ladezustandsalarm vorliegt, wenn die Handbedienung betätigt wird (nur Elektro-Ausführung). Wenn der Alarm ertönt, darf der Lifter NICHT verwendet werden und muss sofort aufgeladen werden.
- Prüfen Sie die Funktionsfähigkeit des Not-Aus-Tasters (nur bei Elektro-Ausführung).
- Prüfen Sie, ob Hydraulikflüssigkeit austritt (nur bei Hydraulik-Ausführung). Auftretende Lecks müssen sofort dem Servicetechniker gemeldet werden. Der Lifter darf bis zur Beseitigung des Fehlers nicht benutzt werden.

### WARTUNG, INSPEKTION UND PRÜFUNG

Joerns Healthcare empfiehlt eine regelmäßige gründliche Inspektion und Prüfung des Hoyer Advance Lifters und der Zubehörteile (Gurte usw.). Die Häufigkeit der Inspektionen ist je nach Einsatzort unterschiedlich, d.h., Sie müssen sich bei Ihrem Händler oder bei der zuständigen Behörde vor Ort erkundigen, wie oft eine Inspektion durchgeführt werden muss. Die Untersuchung und der Test müssen nach den in diesem Handbuch angegebenen Empfehlungen und Verfahrensweisen durchgeführt werden. Joerns Healthcare empfiehlt, dass Wartung, Inspektion und zertifizierte Prüfungen nur von autorisierten Servicevertretern/ Händlern durchgeführt werden.

**HINWEIS:** Diese Empfehlungen entsprechen den Vorschriften für Großbritannien und Nordirland gemäß No2307 Health and Safety: The Lifting Operations and Lifting Equipment Regulations 1998 (Vorschriften zur Arbeitssicherheit für Hebevorgänge und Lifter). Außerhalb von Großbritannien und Nordirland gelten die Vorschriften des jeweiligen Landes.



**\*DIESE PRÜFUNGEN SOLLTEN UMFASSEN:**

✓ = Erforderlich    X = Empfohlen

\* 6 Monate in Nordamerika

	Anfangs	Vor dem Gebrauch	Wartungsintervalle*
1. <b>SPREIZBÜGEL:</b> Vergewissern Sie sich, dass der Spreizbügel frei dreh- und schwenkbar ist. Prüfen Sie den zentralen Stift auf Verschleiß. Prüfen Sie, dass der Stift fest mit dem Ausleger verbunden ist.	✓	✓	✓
2. <b>AUSLEGER:</b> Prüfen Sie die Verbindung von Ausleger und Mast. Stellen Sie sicher, dass der Ausleger sich nur geringfügig seitlich bewegen und sich frei im Lager des Auslegers drehen kann.	✓	✓	✓
3. <b>MAST:</b> Prüfen Sie die Funktion des Mast-Feststellknopfes. Achten Sie darauf, dass der Mast in der entsprechenden Buchse einrastet. Prüfen Sie die Halterung des unteren Stellmotors bzw. der Hydraulikeinheit.	✓	✓	✓
4. <b>STELLMOTOR (nur Elektro-Ausführung):</b> Der Stellmotor muss, abgesehen vom Prüfen auf korrekten Betrieb und außergewöhnliche Geräusche, nicht gewartet werden.		X	✓
5. <b>STUEKASTEN (nur Elektro-Ausführung):</b> Überprüfen Sie die Funktion der Not-Aus-Taste. Überprüfen Sie, dass der richtige Anschluss in die Buchse an der Handbedienung eingesteckt ist. Überprüfen Sie die Funktion der Handbedienung. Überprüfen Sie die redundanten Bedienelemente und dass sie ordnungsgemäß funktionieren. <b>HINWEIS:</b> Die MINDESTLAST zum manuellen Absenken des Patientenlifters mit der mechanischen Notabsenkung beträgt 30 kg.	✓	✓	✓
6. <b>AKKUS (nur Elektro-Ausführung):</b> Die Akkus befinden sich in der Akkueinheit und müssen, abgesehen vom regelmäßigen Aufladen (siehe "Aufladen der Akkueinheit"), nicht gewartet werden. Achten Sie darauf, dass die Anschlüsse sauber bleiben.			✓
7. <b>HYDRAULIKEINHEIT:</b> Die Hydraulikeinheit muss, abgesehen vom Prüfen auf korrekten Betrieb und Prüfen auf Austreten von Hydraulikflüssigkeit, nicht gewartet werden.		✓	✓
8. <b>EINSTELLEN DER FAHRGESTELLBREITE:</b> Prüfen Sie, dass das Fahrgestell nach innen und nach außen verstellt werden kann.	✓	✓	✓
9. <b>LAUFROLLEN:</b> Prüfen Sie, dass die Laufrollen fest mit dem Fahrgestell verbunden sind. Vergewissern Sie sich, dass die Laufrollen frei beweglich sind.	✓	✓	✓
10. <b>REINIGUNG:</b> Verwenden Sie zum Reinigen herkömmliche Seife und Wasser und/oder Desinfektionsmittel für harte Oberflächen. Starke chemische Reinigungsmittel oder Scheuermittel sollten nicht verwendet werden, da diese die Oberfläche des Lifters angreifen. Setzen Sie die elektrischen Teile keiner Feuchtigkeit aus.		X	✓
11. <b>BELASTUNGSPRÜFUNG:</b> Die Belastungsprüfung sollte gemäß den Prüfverfahren vom Hersteller durchgeführt werden.			X
12. <b>FAHRGESTELL UND ROLLEN:</b> Stellen Sie sicher, dass das Fahrgestell auf glattem, ebenem Boden steht (alle vier Rollen haben Bodenkontakt).	✓	✓	✓
13. <b>GURTE:</b> Prüfen Sie auf Verschleiß und Ausfransung.	✓	✓	✓
14. <b>SCHMIERUNG:</b> Schmieren Sie alle Drehgelenke, einschließlich Mast- und Auslegeranschlüsse, Pedal, Spreizbügelgelenk (nach Bedarf).			✓
15. <b>BEFESTIGUNGSTEILE:</b> Überprüfen Sie alle Muttern, Schrauben, Bolzen und Verbindungselemente auf übermäßige Abnutzung und festen Sitz. Bei Bedarf auswechseln.			✓

## 9. Technische Daten

Spezifikation	Elektrisch	Hydraulisch
Zulässige Belastung.....	341 lbs. .... 155Kgs.....	342 lbs ..... 155Kgs
Maximale Gesamtlänge.....	51 inches ..... 1300mm.....	49.2 inches ..... 1250mm
Minimale Gesamtlänge.....	49 inches ..... 1250mm.....	47.2 inches ..... 1200mm
Maximale Gesamthöhe.....	73 inches ..... 1860mm.....	72.6 inches ..... 1845mm
Minimale Gesamthöhe.....	53.5 inches ..... 1360mm.....	53.1 inches ..... 1350mm

### Abmessungen, zusammengeklappt

Höhe.....	17.1 inches ..... 450mm.....	16.9 inches ..... 470mm
Tiefe.....	46.4 inches ..... 1180mm.....	46.5 inches ..... 1230mm
Breite.....	21.6 inches ..... 550mm.....	23.0 inches ..... 550mm

Spreizbügel, maximale Höhe.....	66.5 inches ..... 1690mm.....	64.6 inches ..... 1640mm
Spreizbügel, anwendbare Mindesthöhe.....	15.3 inches ..... 390mm.....	15.4 inches ..... 390mm
Höhe bei maximaler Reichweite.....	46 inches ..... 1170mm.....	33.5 inches ..... 850mm
Reichweite bei maximaler Höhe.....	25.6 inches ..... 650mm.....	28.0 inches ..... 710mm
Reichweite bei minimaler Höhe.....	13.7 inches ..... 350mm.....	15.4 inches ..... 390mm
Maximale Reichweite*.....	32.8 inches ..... 835mm.....	33.5 inches ..... 850mm
Wenderadius.....	55.9 inches ..... 1420mm.....	41.0 inches ..... 1040mm
Fahrgestell, gespreizt - äußere Breite.....	42.5 inches ..... 1080mm.....	43.7 inches ..... 1110mm
Fahrgestell, gespreizt - innere Breite.....	39.3 inches ..... 1000mm.....	45.7 inches ..... 1160mm
Fahrgestell, geschlossen - äußere Breite.....	26.3 inches ..... 670mm.....	25.2 inches ..... 640mm
Fahrgestell, geschlossen - innere Breite.....	22.4 inches ..... 570mm.....	21.7 inches ..... 550mm
Gesamthöhe des Fahrgestells.....	4.5 inches ..... 115mm.....	4.7 inches ..... 120mm
Bodenabstand.....	1.1 inches ..... 30mm.....	1.2 inches ..... 30mm
Doppellaufrollen vorne.....	3.0 inches ..... 75mm.....	3 inches ..... 75mm
Laufrollen mit Feststellbremse hinten.....	3.9 inches ..... 100mm.....	4 inches ..... 100mm

\*Reichweite = Mitte Spreizbügel bis Vorderseite Mast

### Gewicht

Mast, Fahrgestell, Ausleger.....	63.1 lbs ..... 28.9kgs.....	63.7 lbs ..... 26.8kgs
Akkueinheit.....	6.2 lbs ..... 2.8kgs.....	Nicht zutreffend
Gesamt.....	69.9 lbs ..... 31.7kgs.....	59 lbs ..... 26.8kgs
Fahrgestell (ohne Akku).....	32.8 lbs ..... 14.9kgs.....	32.9 lbs ..... 14.9kgs
Mast und Ausleger (ohne Akku).....	30.9 lbs ..... 14.0kgs.....	26.3 lbs ..... 11.9kgs

Alle Maßangaben mit +5/-5 Grad Toleranz.

**ANGABEN ZUR ELEKTRIK:**

AKKUS .....	24 V, aufladbar, geschlossene Blei/Säure-Akkus
AKKUKAPAZITÄT .....	3,2 Ah
EINGANGSSPANNUNG DES LADEGERÄTS (NENNWERT) .....	230VAC 50/60Hz
AUSGANGSSPANNUNG DES LADEGERÄTS (NENNWERT) .....	27,4/29,0 VDC@0,8A

**SCHUTZ GEGEN STROMSCHLAG**

LADEGERÄT .....	KLASSE II
PATIENTENLIFTER .....	INTERNE STROMQUELLE

**STOSSFESTIGKEIT**

LADEGERÄT .....	TYP B
PATIENTENLIFTER .....	TYP B

**UMGEBUNGSBEDINGUNGEN:**

Außerhalb dieser Umgebungsbedingungen können Funktionsfähigkeit und Sicherheit unter Umständen beeinträchtigt werden.

**BETRIEB**

TEMPERATUR .....	>+5°C <+40°C
LUFTFEUCHTIGKEIT .....	20% - 90% @ 30°C (nicht kondensierend)
LUFTDRUCK .....	700 - 1060 hpa

**LAGERUNG**

TEMPERATUR .....	>-10°C <+50°C ExcelDisplayFontMapper
LUFTFEUCHTIGKEIT .....	20% - 90% @ 30°C (nicht kondensierend)
LUFTDRUCK .....	700 - 1060 hpa

**IP SCHUTZKLASSEN**

STUEKASTEN .....	IPX4
VERSTELLMOTOR .....	IPX4
EXTERNER LADEGERÄT .....	IPX5
BATTERIE .....	IPX5
HANDBEDIENUNG .....	IPX5

**EINSCHALTDAUER**

VERSTELLMOTOR .....	10% (2 Min. / 18 Min.)
LADEGERÄT .....	4 Stunden (ca.)

**AKUSTIK**

A-BEWERTETER SCHALLDRUCKPEGEL .....	64dB
-------------------------------------	------

## WICHTIGE SYMBOLE:

Die folgenden Symbole werden am Ladegerät, am Steuerkasten und am Akku verwendet:



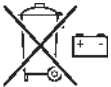
Medizinisches elektrisches Gerät, Typ B, gemäß EN 60601-1



Geräte der Klasse 2



Das Ladegerät und der Steuerkasten dürfen nicht als Hausmüll entsorgt werden



Die Akkus dürfen nicht als Hausmüll entsorgt werden.



Die elektronischen Bauteile dürfen nicht als Hausmüll entsorgt werden.



Für den Gebrauch im Haus



ACHTUNG, siehe die beigelegten Unterlagen

WEEE-Registriernummer der Herstellers: WEE/GG0464RZ

## 10. Prüfung

Diese Garantie gilt nur für HoyerPro Patientenlifter. Diese Garantie gilt nicht für die folgenden Patientenlifter: HML400, HPL600WB, HPL600WBSC, HPL402, C-HLA (und Varianten).

Auf HoyerPro Patientenlifter wird eine Garantie für einen Zeitraum von zwei Jahren ab dem Liefertermin gegen Material- und Herstellungsfehler bei normalem Gebrauch und normaler Wartung gewährt. Diese Garantie gilt für alle mechanischen und elektrischen Bauteile.

Auf die tragenden Bauteile aus Aluminium und die mechanischen Bauteile an den Patientenliftern wird eine Garantie von fünf (5) Jahren ab dem Lieferdatum gewährt.

Schäden, die durch die Benutzung in ungeeigneten Bedingungen oder dadurch, dass das Produkt nicht gemäß der Bedienungs- und Wartungsanleitung gepflegt wurde, sind von der Garantie ausgeschlossen. Alle Änderungen, Modifizierungen oder Reparaturen, die nicht von Joerns Healthcare durchgeführt oder schriftlich genehmigt wurden, machen die Garantie ungültig.

### Teile:

HoyerPro Patientenlifter enthalten verschiedene Teile, die bei normalem Gebrauch Verschleiß unterliegen. Für diese Teile wie etwa die DC-Batterien und Lenkräder gilt die zweijährige Garantiefrist nicht, es gilt eine Garantiefrist von 90 Tagen nach dem Lieferdatum.

Joerns Healthcare ist im Rahmen dieser Garantie nur verpflichtet, nach seinem Ermessen für alle Produkte, die von Joerns Healthcare als defekt befunden wurden, Ersatzteile zu liefern, Wartungsarbeiten durchzuführen oder dieses zu ersetzen.

Die im Rahmen der Garantie gelieferten Ersatzteile stehen bis zum Ablauf der ursprünglichen Garantiefrist weiter unter Garantie.

Wenn von Joerns Healthcare angefordert, müssen Teile auf Kosten des Kunden zur Inspektion zurückgesandt werden. Gutschriften werden nur nach der Inspektion erstellt.

### Wartung:

Die meisten Wartungsaufträge werden von der Wartungsabteilung im Werk mit Unterstützung der Kundendienstabteilung von Joerns Healthcare durchgeführt.

Ersatzteile können in den meisten Fällen unfrei per Luftfracht am nächsten Tag versandt werden.

Wird ein Mechaniker benötigt, wird dieser nach dem Ermessen von Joerns Healthcare zur Verfügung gestellt. Autorisierte Mechaniker können nur von der Kundendienstabteilung von Joerns Healthcare beauftragt werden.

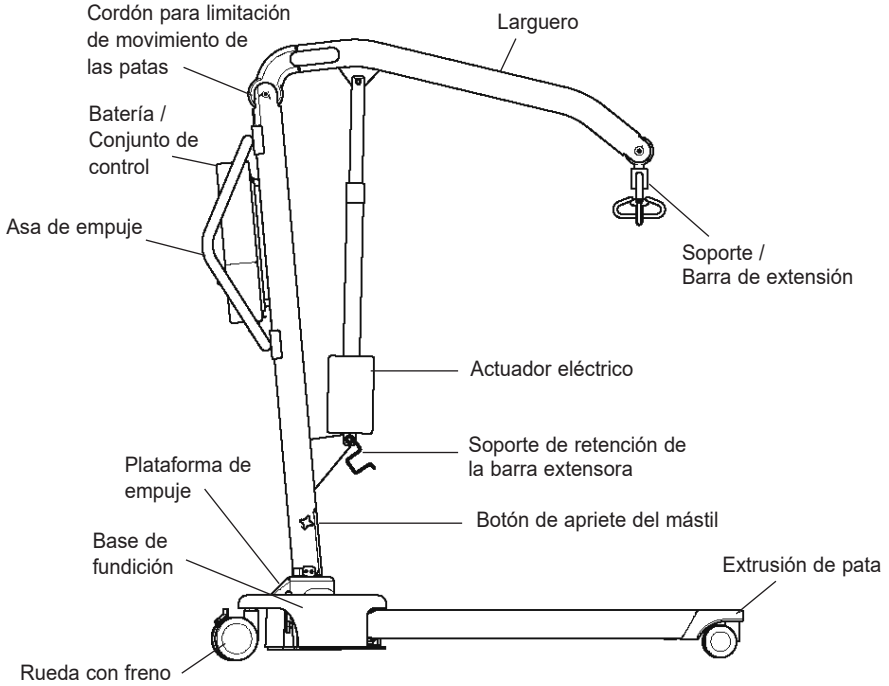
Diese Garantie gilt für den ursprünglichen Käufer des Produkts.

## Índice

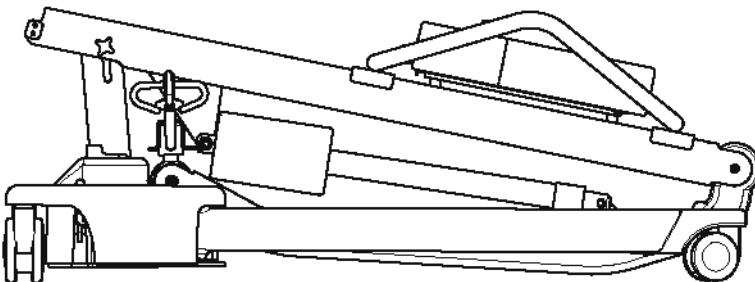
1. Elevador para pacientes Hoyer Advance.....	63
2. Introducción.....	64
3. Instrucciones de montaje y encargo .....	65
4. Desmontaje .....	67
5. Precauciones de seguridad.....	70
6. Caja de control y control de mano.....	72
7. Instrucciones de funcionamiento.....	73
8. Plan de mantenimiento .....	76
9. Especificaciones técnicas .....	78
10. Garantía .....	81

# 1. Elevador para pacientes Hoyer Advance

## Elevador Hoyer Advance (preparado para su uso)



## Elevador Hoyer Advance (posición de almacenamiento)



## 2. Introducción

El Hoyer Advance está disponible en dos versiones, con funcionamiento hidráulico y con funcionamiento eléctrico. Este manual describe ambos modelos Advance. Cada elevador está completamente montado, y ha sido verificado y certificado antes de ser embalado y enviado.

El embalaje consta de una caja de cartón resistente, hecha a medida, y se utiliza tanto para los envíos nacionales como para las exportaciones para asegurar que el equipo llegue intacto a su destino. Con cada elevador se envía una bolsa con varios documentos; esta bolsa debe conservarse para su consulta futura.

- CERTIFICADO DE VERIFICACIÓN
- MANUAL DEL USUARIO
- TARJETA DE GARANTÍA DEL PROVEEDOR
- TARJETA DE SATISFACCIÓN DEL CLIENTE

El CERTIFICADO DE VERIFICACIÓN es un documento importante y debe conservarse para su consulta. Para mantener adecuadamente su elevador, consulte el plan de mantenimiento incluido en este documento. Si no está seguro de cuáles son los requisitos de mantenimiento en su área geográfica, consulte a su proveedor y/o a una oficina de la administración local.

**La marca CE:** El Hoyer Advance lleva la marca CE y cumple con las siguientes directivas de la CE:



- Directiva de Dispositivos Médicos (93/42/EEC)
- Directiva EMC (89/336/EEC) (Sólo componentes eléctricos)
- Directiva de bajo voltaje (73/23/EEC) (Sólo componentes eléctricos)

### Declaración de uso al que está destinado

El uso previsto para este dispositivo es la elevación y transferencia seguras de un individuo de una superficie de descanso a otra (como de una cama a una silla de ruedas, por ejemplo). Joerns Healthcare recomienda que la transferencia de pacientes se lleve a cabo posteriormente a una evaluación de riesgos, y de manera segura, en una breve distancia solamente.

El sistema de elevación Hoyer Advance se adapta a pacientes en posición SENTADA, SENTADA y RECOSTADA Y RECOSTADA.

El sistema Hoyer Advance es un dispositivo de apoyo diseñado para promover la manipulación y transferencia seguras del paciente, tanto para el individuo que está siendo transportado como para la persona a cargo. El elevador se pliega sin necesidad de herramientas, lo que facilita el almacenamiento en entornos donde el espacio es reducido. El sistema Hoyer Advance también puede separarse en dos secciones para facilitar el transporte en un vehículo con un espacio de almacenamiento adecuado.

El elevador de pacientes Hoyer Advance incorpora una barra extensora de seis puntos y está diseñado para ser utilizado con la amplia gama de arneses Hoyer. A continuación citamos ejemplos de arneses adecuados para uso con este dispositivo:

- Hoyer Quickfit
- Hoyer Asiento largo
- Hoyer Full Back
- Hoyer Arnés Access
- Hoyer Quickfit Deluxe
- Hoyer Silkfit

### Vida útil estipulada previa al mantenimiento:

Los elevadores profesionales Hoyer están diseñados y evaluados para durar un período mínimo de diez (10) años previamente a efectuarse algún tipo de mantenimiento, dependiendo del uso y cumplimiento con las tareas de mantenimiento establecidas en este manual. El uso diferente al establecido en estas instrucciones, podría comprometer la vida útil del producto.



### 3. Instrucciones de montaje y encargo

#### Contenido de la caja

Coloque la caja en una zona de trabajo despejada y ábrala con cuidado. La caja contiene:

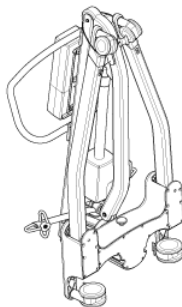
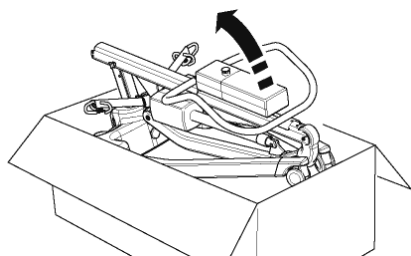
- HOYER ADVANCE
- BOLSA CONTENIENDO DOCUMENTOS
- CONTROL DE MANO (SÓLO ELÉCTRICO)
- CONJUNTO DE BATERÍA (SÓLO ELÉCTRICO)
- TERMINAL DE CARGA DE BATERÍA (SÓLO ELÉCTRICO)
- UNIDAD HIDRÁULICA (SÓLO HIDRÁULICA)

**NOTA DE SEGURIDAD:** El Hoyer Advance es pesado y habrá que tener cuidado al levantarlo. Puede que necesite ayuda para levantar el Hoyer Advance de la caja.

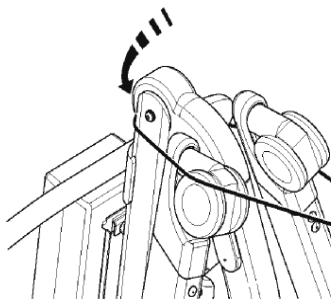
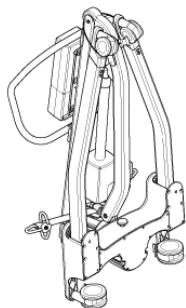
#### Instrucciones de montaje

1. Retire todas las piezas de la caja y colóquelas en el suelo, con cuidado de proteger el equipo de daños en su superficie.

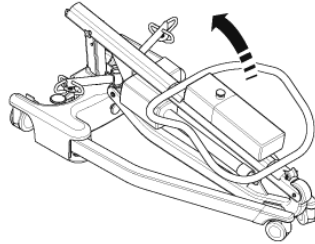
Levante el Advance con cuidado de la caja. Ponga el elevador en posición hacia arriba (en posición triangular).



2. Suelte la pata y el conjunto del mástil aflojando la correa de retención de las ruedas. Esta correa se retrae completamente en la parte superior de la sección del mástil.

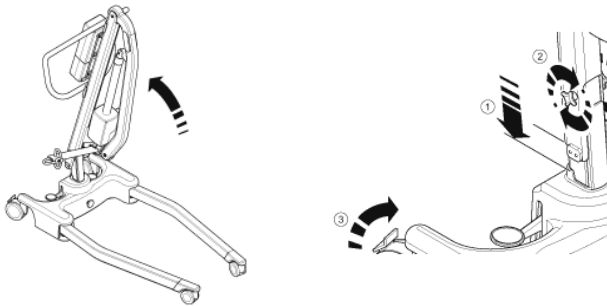


3. Ponga el Advance plano sobre el suelo (asegúrese de que las ruedas traseras estén bloqueadas).



4. Levante el conjunto de piezas del mástil en posición vertical (utilizando la parte superior de la empuñadura) y coloque el mástil en la ranura (1). Ajuste los pomos de fijación del mástil (2) y destrabe las rueditas (3).

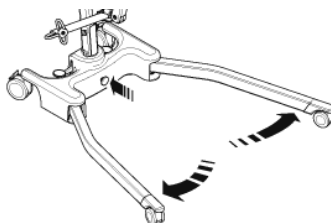
**NOTA DE SEGURIDAD:** Evite que los dedos queden atrapados. Mantenga los dedos alejados del extremo del mástil al insertarlo en la ranura del mástil. Apriete el dispositivo de bloqueo del mástil y libere las ruedas con freno en la parte posterior.



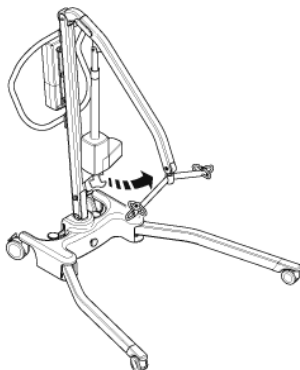
5. Abra las patas completamente. Asegúrese de que el botón de bloqueo de las piernas se enganche a ras de la base, así las patas ya no se moverán libremente. Las patas solamente funcionarán mediante el uso del mecanismo de pedal situado en la parte posterior de la base.

### ⚠ ADVERTENCIA

Si el funcionamiento del pedal NO ajusta las patas, NO use el elevador. Compruebe que el pomo de bloqueo de las patas esté completamente encajado. Si el pomo de bloqueo de las patas no encaja completamente y el funcionamiento del pedal no ajusta las piernas, NO utilice el elevador y póngase en contacto con su proveedor de servicios sanitarios autorizado de Joerns Healthcare para que lo examine y repare.

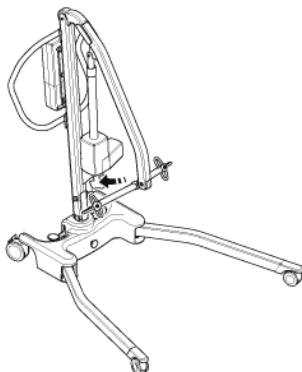


6. Suelte la barra separadora del soporte de sujeción. El elevador ya está listo para funcionar.

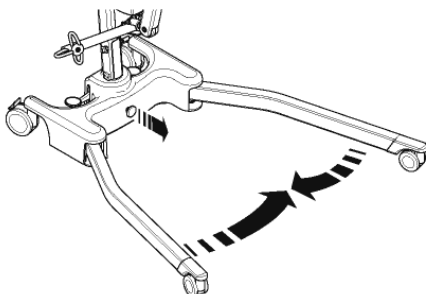


## 4. Desmontaje

1. Haga descender el mástil hasta la posición más baja posible, y después inserte la barra de extensión en el soporte de retención.



2. Libere el dispositivo de bloqueo de la pata (tirando hacia fuera desde la base de fundición), cierre las patas juntas.

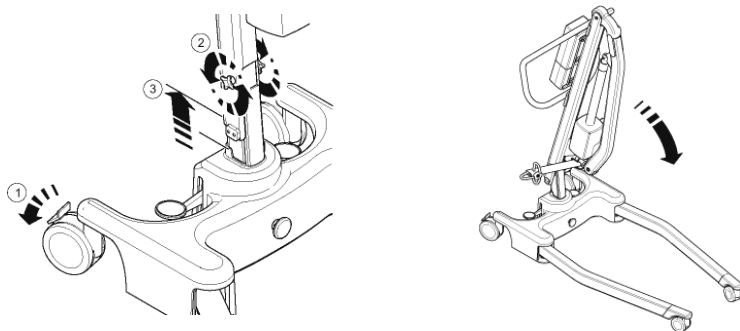


3. Afloje el dispositivo de bloqueo del mástil lo suficiente como para permitir la elevación del mástil. Levante el mástil completamente hasta alcanzar el tope superior. Pliegue el mástil con cuidado hacia las piernas. Utilice el asa de empuje para ayudarse a realizar a esta acción.

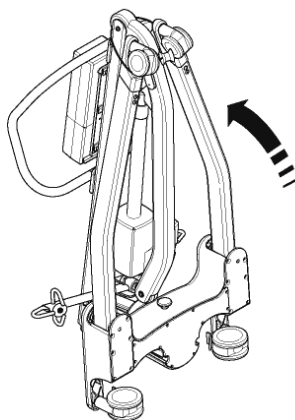
### ⚠ PRECAUCIÓN

**Al comenzar a plegar el mástil, si siente resistencia, NO lo fuerce; en cambio, levante el mástil nuevamente hasta alcanzar el tope superior e intente la operación de plegado otra vez.**

**NOTA:** Si desea separar el mástil y el larguero completamente de la base y las patas, deshaga el dispositivo de bloqueo del mástil completamente (retirar) y levante el mástil y el larguero completamente para que queden libres desde la base. Tenga cuidado de no aflojar el dispositivo de bloqueo, el botón y el eje de localización del mástil.

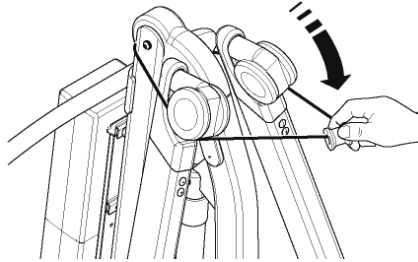


4. Levante el Advance plegado hacia arriba (utilizando las patas y el asa de empuje como guía), con cuidado de que el mástil y el larguero estén juntos al inclinarlo hacia arriba.



5. Tire de la correa de retención hacia arriba y extiéndala sobre las ruedas. (Esto mantendrá las patas, el mástil y el larguero juntos durante el transporte y almacenamiento).

**NOTA:** Tenga cuidado al plegar/desplegar el Advance, ya que hay peligro de que queden atrapados los dedos, etc. Por favor, siga las instrucciones cuidadosamente y pida ayuda si no está seguro del procedimiento correcto.



### VERIFIQUE SIEMPRE LO SIGUIENTE ANTES DEL FUNCIONAMIENTO

- Las patas están completamente desplegadas desde la posición de guardadas (vea las instrucciones de montaje, 5)
- El mástil está completamente fijo en su posición (vea las instrucciones de montaje, 4)
- Las patas se abren y cierran satisfactoriamente cuando se acciona el pedal.
- Coloque la unidad de alimentación eléctrica en el soporte del mástil y asegúrese de que el pestillo de retención esté completamente enganchado y haga 'clic' para fijarse en su lugar.
- El botón rojo de parada de emergencia, situado en el panel de control, está en la posición OUT.
- Presione los botones de SUBIR y BAJAR del control manual y confirme que el brazo funciona correctamente.

### SÓLO MODELOS HIDRÁULICOS

- Cierre la válvula de liberación de la unidad hidráulica girando el botón en el sentido de las agujas del reloj en el equipo.

**NOTA:** La válvula de liberación sólo requiere un apriete mínimo para funcionar, y sólo debe cerrarse med ante apriete con los dedos. NO aplique excesiva fuerza al botón de la válvula, ya que esto podría provocar daños a la válvula.

- Bombee con el mango de la unidad hidráulica y confirme que el ariete eleva el larguero.
- Abra la válvula de liberación completamente en el sentido contrario a las agujas del reloj y compruebe que el larguero desciende. Puede que sea necesario aplicar presión sobre el brazo principal antes de que éste descienda.

**NOTA:** La válvula de liberación está completamente abierta y encuentra un tope positivo en menos de dos giros completos del botón.

### ADVERTENCIA

Al bajar un paciente, abra lentamente la válvula. Si abre la válvula con velocidad, el brazo principal bajará de manera rápida y podrá provocar lesiones en el paciente.

## 5. Precauciones de seguridad

Por favor, lea y siga las precauciones de seguridad que figuran más abajo. El funcionamiento y uso del elevador para pacientes Hoyer es sencillo y fácil de comprender. Siguiendo estas precauciones básicas de seguridad, las operaciones de elevación serán fáciles y estarán libres de problemas.

### **LEA Y COMPRENDA EL MANUAL DE INSTRUCCIONES DEL USUARIO ANTES DE UTILIZAR SU ELEVADOR “ADVANCE”**

**ADVERTENCIA:** Información de seguridad importante sobre peligros que podrían ocasionar lesiones serias.

**PRECAUCIÓN:** Información para evitar daños al aparato.

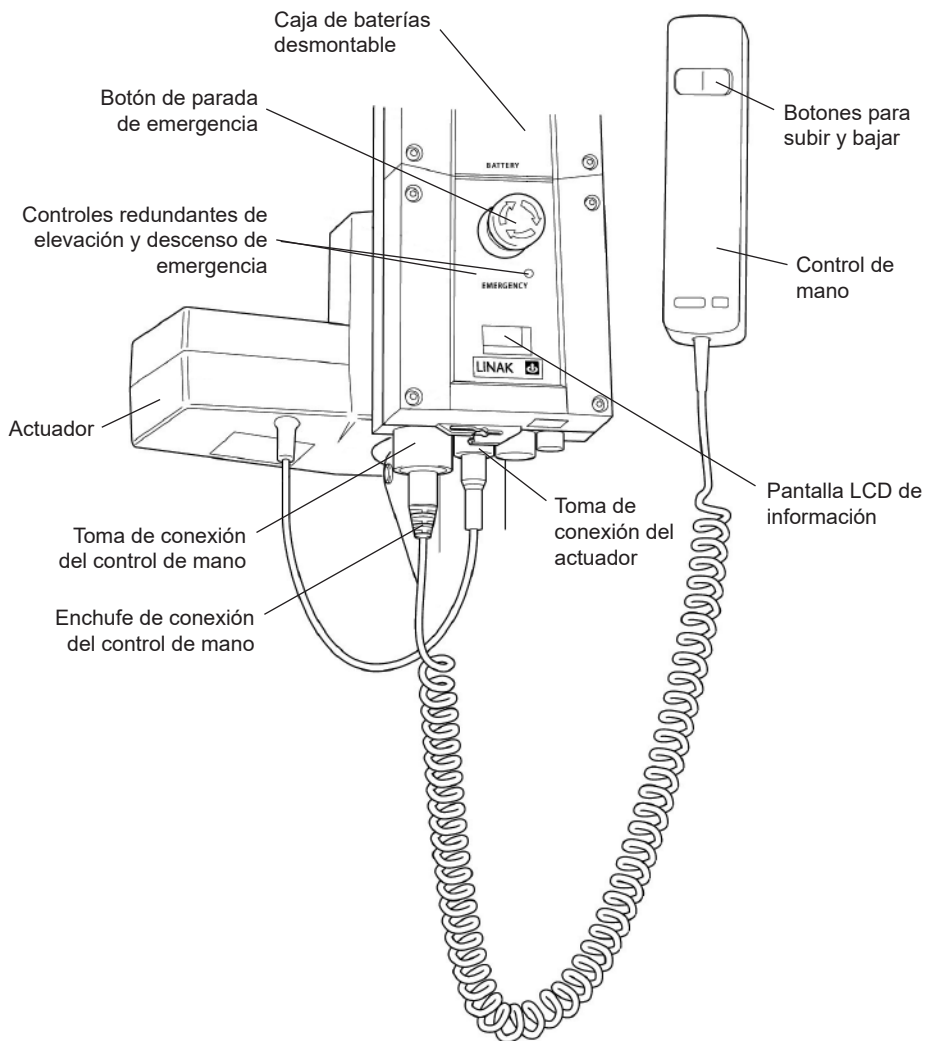
**NOTA:** Información a la cual usted debe prestar atención especial.

### **⚠ ADVERTENCIA**

- **SIEMPRE** planifique sus operaciones de elevación antes de comenzar.
- **SIEMPRE** verifique la LISTA DE COMPROBACIÓN DIARIA (página 94) antes de utilizar el elevador.
- **SIEMPRE** familiarícese con el control de funcionamiento y características de seguridad de un elevador antes de levantar a un paciente.
- **NO** utilice una eslinga a no ser que esté recomendada para su uso con el elevador.
- Verifique **SIEMPRE** que la eslinga es adecuada para el paciente en particular y que su tamaño y capacidad son correctos.
- **No** utilice **NUNCA** una eslinga si está deshilachada o presenta signos de daño.
- **Encaje SIEMPRE** la eslinga de acuerdo con las instrucciones que se indican (instrucciones del usuario).
- **SIEMPRE** compruebe que la carga de trabajo de seguridad del elevador es adecuada para el peso del paciente.
- **SIEMPRE** lleve a cabo las operaciones de elevación de acuerdo con las instrucciones en el manual del usuario.
- **NUNCA** desconecte o deje de realizar un control de seguridad o característica de seguridad porque parezca más fácil para el funcionamiento del elevador.
- **NO** levante a un paciente con los frenos de las ruedas activados. Deje siempre que el elevador encuentre el centro correcto de gravedad.
- **NO** intente maniobrar el elevador empujando el mástil, el larguero o al paciente.
- **SIEMPRE** maniobre el elevador por el asidero.
- **SIEMPRE** haga descender al paciente a la posición cómoda más baja posible antes de transferirlo.
- **NO** empuje un elevador cargado a velocidades que superen un ritmo de caminar lento (3 kilómetros/hora, 0,8 metros/segundo).

- **NO** empuje el elevador sobre terreno irregular o accidentado, especialmente cuando esté cargado.
- **NO** intente empujar/tirar de un elevador cargado sobre una obstrucción en el suelo, que las ruedas no sean capaces de salvar.
- **NUNCA** fuerce un control de funcionamiento/seguridad. Todos los controles son fáciles de utilizar y no requieren el uso de una fuerza excesiva.
- La carga **MÍNIMA** necesaria para bajar el elevador de manera manual utilizando la función mecánica de descenso de emergencia equivale a 30 kg.
- **NO** aparque un elevador cargado sobre **NINGUNA** superficie en cuesta.
- **NO** utilice elevadores eléctricos en una ducha.
- **NO** cargue un elevador eléctrico en un baño o en una ducha.
- **NO** levante a un paciente a no ser que esté entrenado y sea competente para hacerlo.
- **SU** elevador está destinado a levantar pacientes. **NO** lo utilice, ni permita que se utilice, para cualquier otro fin.
- **NO** lleve el elevador dando tumbos hacia abajo en escaleras, tanto si está cargado como si está descargado.
- **NO** intente pasar con un elevador cargado por una pendiente que supere 1:12 (aproximadamente 5 grados).
- **NO** intente pasar con el elevador por una pendiente sin que haya alguien para ayudarlo.
- **SIEMPRE** compruebe que el elevador no esté cargándose antes de moverlo, ya que la conexión eléctrica podría dañarse.

## 6. Caja de control y control de mano





## 7. Instrucciones de funcionamiento

### 1. Ajuste de las patas

Las patas del Hoyer Advance son ajustables en cuanto a su anchura. Las patas pueden abrirse para permitir el acceso alrededor de sillas o de sillas de ruedas. Para transferir y negociar puertas y pasajes, las patas del elevador deben estar bien bloqueadas en la posición cerrada.

Para operar el ajuste, el pedal de ajuste de las patas, ubicado en la parte trasera de la base, se presiona en el lado derecho para abrirlas en el lado izquierdo para cerrarlas. El ajuste se puede realizar mientras el paciente está en la grúa.

### ADVERTENCIA

**Nunca realice una elevación/transferencia con las patas en posición cerrada/de transporte (las ruedas delanteras se tocan). La posición cerrada/de transporte es solo para el almacenamiento y transporte de la unidad.**

### 2. Ruedas y frenos

El elevador tiene dos ruedas con frenos, que se pueden aplicar para dejarlo aparcado. Cuando se realiza la elevación, las ruedas se deben dejar libres y sin frenos, para que el elevador pueda moverse hasta el centro de gravedad. NO aplique los frenos. Si se aplican los frenos, el paciente puede oscilar hacia el centro de gravedad y esto puede resultar angustiante e incómodo.

### 3. Subir y bajar el larguero

El movimiento del larguero se consigue mediante un potente actuador eléctrico, que está controlado por un sencillo control de mano. El control de mano tiene dos botones, con flechas direccionales ARRIBA y ABAJO. El actuador se detiene automáticamente en el límite del desplazamiento en ambas direcciones. El control de mano se enchufa en un enchufe en la base del cuadro de control. Hay un gancho en la parte posterior del control de mano, que sirve para dejarlo en el mástil o en el larguero cuando no esté en uso.

### 4. Para de emergencia

El botón de parada de emergencia rojo está situado en la parte posterior del cuadro de control y se activa pulsándolo. Esta acción de pulsarlo corta la alimentación eléctrica al elevador y sólo se puede desarmar girando el botón en sentido contrario a las agujas del reloj y soltándolo.

### 5. Controles redundantes

El botón de descenso de emergencia está situado en la parte posterior del cuadro de control. Este botón se utiliza insertando la punta de un bolígrafo en el botón que indica "lower" (bajar). Esta acción hará que el larguero baje si falla el control de mano en cualquier momento.

### 6. Descenso mecánico de emergencia

En caso de un fallo eléctrico completo, el actuador eléctrico está equipado con un dispositivo de descenso mecánico (RED BOSS). Esta característica sólo funcionará cuando el elevador tenga carga. Hay que tirar del dispositivo hacia arriba y comenzará un lento descenso.

**NOTA:** La carga MÍNIMA necesaria para bajar el elevador de manera manual utilizando la función mecánica de descenso de emergencia equivale a 30 kg.

### 7. Baterías

Las baterías están protegidas de una fuerte descarga por una ALARMA DE VOLTAJE BAJO. Esta alarma dará un sonido cuando las baterías necesiten recarga y se esté manejando el control de mano. No sonará si el control de mano no se está manejando.

**PRECAUCIÓN: NO IGNORE ESTA ALARMA DE ADVERTENCIA.** Complete la operación de elevación y coloque el elevador en carga (vea las instrucciones de carga).

## 8. Subir y bajar el larguero (modelos hidráulicos)

### ADVERTENCIA

No afloje o desatornille el perno de retención del gato hidráulico a no ser que usted sea un técnico competente autorizado. No efectúe nunca la carga mientras que el usuario necesite girar el gato hidráulico. Si el usuario intenta girar el gato fuertemente, puede golpear el paciente o provocar riesgos no previstos para el paciente o para la persona que se ocupa de su cuidado.

La elevación y descenso del larguero se consigue mediante un potente ariete hidráulico, que se maneja mediante dos sencillos controles. La válvula de liberación está identificada por un botón plateado en forma de estrella, y la palanca de bombeo es una larga palanca en el lateral de la unidad hidráulica para levantar el larguero. La válvula se cierra haciendo girar suavemente el botón completamente en el sentido de las agujas del reloj. Cuando esté cerrada, bombee mediante la palanca larga con movimientos suaves y uniformes para conseguir un efecto máximo. La palanca se puede mover desde una posición hacia arriba en un arco de 90 grados. Deje la palanca en posición hacia arriba cuando no esté en uso.

NO fuerce la palanca más allá de los topes superior o inferior. La unidad hidráulica puede hacerse girar para permitir que la palanca sea utilizada desde cualquiera de los lados del elevador. Para bajar el larguero, gire la válvula de liberación en el sentido contrario al de las agujas del reloj. La válvula de liberación es progresiva; cuanto más se abra, más rápido será el descenso. La válvula está limitada, de manera que, incluso cuando está completamente abierta, el descenso está controlado. Esta prestación permite un descenso “manos libres”. Si la válvula de liberación se abre una fracción (un cuarto de vuelta), una velocidad de descenso muy lenta permitirá al cuidador trabajar “manos libres” mientras ayuda o pone cómodo al paciente. RECUERDE cerrar la válvula de liberación antes de comenzar las operaciones de elevación. La válvula de liberación sólo requiere una suave presión para abrirse o cerrarse. NO aplique excesiva fuerza a la válvula de liberación, ni para abrir ni para cerrar. No es necesario y sólo conseguirá dañar la válvula.

## 9. Eslingas

La eslinga seleccionada se acopla a los ganchos de la barra separadora. Cada arnés se suministra con instrucciones. Por favor, estudie la guía de instrucciones del elevador y el arnés antes de utilizarlos. Una vez que haya seleccionado la eslinga correcta para el paciente, sujétela a los ganchos de la barra de extensión.

**NOTA:** Para obtener instrucciones de colocación más detalladas, consulte la guía del usuario proporcionada con cada eslinga.

### ADVERTENCIA

Joems Healthcare recomienda comprobar las eslingas regularmente y, en especial, antes del uso por si están deshilachadas o dañadas. NO utilice eslingas que estén desgastadas o dañadas.

### ADVERTENCIA

HOYER RECOMIENDA UTILIZAR PRODUCTOS AUTÉNTICOS HOYER. Por su diseño, los sistemas de eslinga y elevadores Hoyer no son compatibles con productos de otros fabricantes. El uso de productos de otros fabricantes con productos Hoyer es potencialmente inseguro y podría ocasionar lesiones severas al paciente y/o al proveedor de cuidados.

### ADVERTENCIA

Consulte la capacidad de peso máximo del elevador. La capacidad de la eslinga está limitada por la capacidad máxima del elevador.

## Instrucciones de Carga de Baterías

Las baterías están situadas en el conjunto de alimentación eléctrica y se cargan mediante un enchufe en la base del cuadro de control.

1. Inserte el enchufe de la fuente de suministro en el punto de carga en la base del cuadro de control. El enchufe se inserta mediante un empuje en línea recta. NO efectúe un movimiento de torsión en el enchufe al colocarlo en su alojamiento.
2. Enchufe el cable del cargador a una fuente de alimentación eléctrica y ponga el conmutador en ON.
3. La carga se realiza de manera completamente automática. El indicador LCD indica el estado de la carga. **NOTA:** Incluso si el cargador se deja enchufado durante mucho tiempo, no permitirá que las baterías se sobrecarguen.
  - a) La luz verde indica el paso de corriente eléctrica.
  - b) La luz amarilla indica que la batería se está cargando.
  - c) Cuando la luz amarilla se apaga, la batería se habrá cargado por completo.**NOTA:** La carga puede tomar hasta cuatro horas en completarse.  
Recomendamos cargar la batería en cuanto la reciba.
4. Para volver a poner en funcionamiento el elevador, ponga el conmutador de alimentación eléctrica en OFF, tire del enchufe del cargador y desconéctelo de la red eléctrica.

### ADVERTENCIA

- La batería, el cargador, el control de mano y la caja de control NO deben ser abiertos por personal no autorizado. (Comuníquese con el distribuidor por reparaciones y reclamos de la garantía).
- NO toque las terminales de la batería ni el cargador.
- MANTENGA las baterías completamente cargadas. Ponga la batería a cargar siempre que no esté utilizando el dispositivo. Si le resultase más práctico, póngala a cargar durante la noche. El cargador no permitirá que las baterías se sobrecarguen.
- NUNCA permita que las baterías se gasten por completo. No bien suene la alarma de advertencia, complete la operación de elevación y ponga a cargar la batería.
- A fin de evitar posibles daños permanentes en la batería, debe colocar la batería a cargar en cuanto la pantalla indique el símbolo de la batería a la mitad.
- NUNCA almacene la batería durante largos períodos de tiempo sin realizar cargas periódicas durante el período de desuso.
- SIEMPRE compruebe que la toma del cargador a la red de suministro eléctrico esté apagada antes de conectar o desconectar la batería.
- NUNCA deje la batería conectada con la toma del cargador a la red de suministro eléctrico apagada.
- NO deje el cargador encendido con la batería desconectada.
- NO use el elevador mientras carga la batería.
- COMPRUEBE que el elevador no se esté cargando antes de desplazarlo, ya que podría dañar la conexión eléctrica.
- NUNCA desconecte la toma del cargador tirando del cable.
- PROCURE no tropezar con el cable del cargador.
- NO cargue el elevador eléctrico en el cuarto de baño.

## 8. Plan demantenimiento para el Hoyer Advance

Todos los productos Hoyer están diseñados para un mínimo mantenimiento; sin embargo, son necesarias algunas comprobaciones y procedimientos de seguridad. A continuación se indica un plan de tareas DIARIAS. Si lo pide, le enviaremos una lista de piezas de repuesto.

### LISTA DE COMPROBACIÓN DIARIA

Joerns Healthcare recomienda encarecidamente realizar las siguientes comprobaciones de manera diaria y antes de utilizar el elevador.

- ASEGÚRESE de que el elevador se mueve libremente sobre sus ruedas.
- ASEGÚRESE de que la barra de extensión está libre para girar y moverse. Compruebe que la barra de extensión está firmemente sujeta al larguero.
- EXAMINE los ganchos de las eslingas en la barra de extensión y los suspensores laterales por si tuvieran un excesivo desgaste. En caso de duda - no utilice el aparato.
- EXAMINE las eslingas para ver si están deshilachadas o tienen otros daños. NO utilice una eslinga si está dañada.
- ASEGÚRESE de que las patas se abren y cierran correctamente.
- OPERE el control de mano o la unidad hidráulica para confirmar que el larguero se levanta y baja satisfactoriamente.
- CONFIRME que el elevador no está dando una alarma de batería baja cuando se maneja el control de mano (sólo elevadores eléctricos). Si la alarma suena, NO utilice el elevador y póngalo en carga inmediatamente.
- EN elevadores movidos por energía eléctrica, verifique el funcionamiento del botón de parada de emergencia.
- EN elevadores hidráulicos, compruebe que no haya fugas de líquido hidráulico. Cualquier fuga debe ser informada inmediatamente a un ingeniero de mantenimiento, y el elevador no se debe utilizar hasta que haya sido verificado.

### MANTENIMIENTO, INSPECCIÓN Y PRUEBA

Joerns Healthcare recomienda realizar una inspección y comprobación completa y periódica del elevador y de los accesorios de elevación, como las eslingas. La frecuencia de la verificación varía de acuerdo con la localidad; compruebe con su distribuidor local o entidad gubernamental, según corresponda, en lo referente a la frecuencia de verificación estipulada. Todas las verificaciones y pruebas deben llevarse a cabo según las recomendaciones y procedimientos explicados en el presente manual. Joerns Healthcare recomienda que el mantenimiento, inspección y comprobación certificada las lleve a cabo un agente o proveedor de mantenimiento autorizado.

**NOTA:** Estas recomendaciones se dan en cumplimiento de los requisitos de 1998 N° 2307 Salud y Seguridad: Normas relativas a Operaciones de Elevación y Equipo de Elevación de 1998. Esta norma es del Reino Unido. Fuera del Reino Unido, revise los requisitos aplicables a su país.

**\*ESTAS COMPROBACIONES DEBEN INCLUIR:**

✓ = Estipulado      X = Recomendado

\* 6 meses en América del Norte

	Inicialmente	Antes del uso	Intervalos de servicio*
1. <b>BARRA DE EXTENSIÓN:</b> Compruebe la barra de extensión para verificar si tiene libertad de rotación y giro. Compruebe si hay desgaste en el pivote central. Compruebe que está sujeta firmemente al larguero.	✓	✓	✓
2. <b>LARGUERO:</b> Compruebe la sujeción del larguero al mástil. Asegúrese de que sólo exista un mínimo movimiento lateral del larguero y de que el larguero esté libre para girar en su rodamiento.	✓	✓	✓
3. <b>MÁSTIL:</b> Verifique el funcionamiento del dispositivo de bloqueo del mástil. Asegúrese de que el mástil encaja completamente en el alojamiento. Verifique el actuador del fondo o el montaje de la unidad hidráulica.	✓	✓	✓
4. <b>ACTUADOR (sólo eléctrico):</b> El actuador no requiere otro mantenimiento que comprobar su funcionamiento correcto y escuchar si hay ruido no usual.		X	✓
5. <b>CAJA DE CONTROL (sólo eléctrico):</b> Compruebe el buen funcionamiento del botón de parada de emergencia. Compruebe que la toma del control de mano esté en perfecto estado. Verifique que el control de mano funciona correctamente. Verifique los controles redundantes y confirme que funcionan correctamente. <b>Nota:</b> La carga MÍNIMA necesaria para bajar el elevador de manera manual mecánica de descenso equivale a 30 kg.	✓	✓	✓
6. <b>BATERÍAS (sólo eléctrico):</b> Las baterías están alojadas en el conjunto de alimentación eléctrica y no requieren ningún mantenimiento más que su carga regular tal y como se detalla en las instrucciones de carga. Compruebe que las conexiones están limpias.			✓
7. <b>UNIDAD HIDRÁULICA:</b> La unidad hidráulica no requiere mantenimiento aparte de verificar el funcionamiento correcto y si hay fugas de líquido hidráulico.		✓	✓
8. <b>AJUSTE DE LAS PATAS:</b> Compruebe que las patas funcionan en toda su extensión (hacia dentro/hacia fuera).	✓	✓	✓
9. <b>RUEDAS:</b> Compruebe que todas las ruedas están firmemente sujetas a las patas. Verifique la libre rotación de las ruedas y de sus pivotes.	✓	✓	✓
10. <b>LIMPIEZA:</b> Limpie con jabón corriente y agua, y/o con cualquier desinfectante para superficies duras. Deben evitarse limpiadores químicos o abrasivos, ya que pueden dañar el acabado de la superficie del elevador. No moje ninguna pieza eléctrica.		X	✓
11. <b>PRUEBA DE CARGA:</b> La prueba de carga debe ser llevada a cabo de acuerdo con los procedimientos establecidos por el fabricante.			X
12. <b>BASE Y RUEDAS:</b> Asegúrese de que la base está colocada de manera uniforme y nivelada (las cuatro ruedas están en contacto con el suelo).	✓	✓	✓
13. <b>ESLINGAS:</b> Vea si están desgastadas o deshilachadas.	✓	✓	✓
14. <b>LUBRICACIÓN:</b> Aceite las juntas de los pivotes, incluyendo las conexiones del mástil y del larguero, el conjunto de pedal, la junta de la barra de extensión (sólo si es necesario).			✓
15. <b>PIEZAS DE FIJACIÓN:</b> Compruebe que todas las tuercas, pernos, tornillos y piezas de sujeción no presenten signos de desgaste excesivo ni estén ajustados en exceso. De ser necesario, reemplácelos.			✓

## 9. Especificaciones técnicas del Hoyer Advance

Especificación	Eléctrico		Hidráulico	
Carga de trabajo segura .....	341 lbs.....	155Kgs .....	342 lbs.....	155Kgs
Longitud total máxima .....	51 pulg.....	1300mm .....	49,2 pulg.....	1250mm
Longitud total mínima .....	49 pulg.....	1250mm .....	47,2 pulg.....	1200mm
Altura total máxima.....	73 pulg.....	1860mm .....	72,6 pulg.....	1845mm
Altura total mínima .....	53,5 pulg.....	1360mm .....	53,1 pulg.....	1350mm

### Dimensiones plegado

Altura .....	17,1 pulg.....	450mm .....	16,9 pulg.....	470mm
Profundidad .....	46,4 pulg.....	1180mm .....	46,5 pulg.....	1230mm
Anchura.....	21,6 pulg.....	550mm .....	23,0 pulg.....	550mm

Altura máxima de la barra de extensión .....	66,5 pulg.....	1690mm .....	64,6 pulg.....	1640mm
Altura mínima de la barra de extensión .....	15,3 pulg.....	390mm .....	15,4 pulg.....	390mm

(utilizable)

Altura en alcance máximo .....	46 pulg.....	1170mm .....	33,5 pulg.....	850mm
Alcance en altura máxima .....	25,6 pulg.....	650mm .....	28,0 pulg.....	710mm
Alcance en altura mínima .....	13,7 pulg.....	350mm .....	15,4 pulg.....	390mm
Alcance máximo*.....	32,8 pulg.....	835mm .....	33,5 pulg.....	850mm
Radio de giro .....	55,9 pulg.....	1420mm .....	41,0 pulg.....	1040mm
Patas abiertas - Anchura externa.....	42,5 pulg.....	1080mm .....	43,7 pulg.....	1110mm
Patas abiertas - Anchura interna .....	39,3 pulg.....	1000mm .....	45,7 pulg.....	1160mm
Patas cerradas - Anchura externa.....	26,3 pulg.....	670mm .....	25,2 pulg.....	640mm
Patas cerradas - Anchura interna.....	22,4 pulg.....	570mm .....	21,7 pulg.....	550mm
Altura total de las patas.....	4,5 pulg.....	115mm .....	4,7 pulg.....	120mm
Distancia al suelo .....	1,1 pulg.....	30mm .....	1,2 pulg.....	30mm
Par de ruedas delanteras.....	3,0 pulg.....	75mm .....	3 pulg.....	75mm
Ruedas traseras con freno .....	3,9 pulg.....	100mm .....	4 pulg.....	100mm

\*Alcance = distancia entre el centro de la barra de extensión y la parte delantera del mástil.

### Pesos

Mástil, base y conjunto de larguero.....	63,1 lbs .....	28,9kgs .....	63,7 lbs .....	26,8kgs
Conjunto de batería.....	6,2 lbs .....	2,8kgs .....	N/A	
Total .....	69,9 lbs .....	31,7kgs .....	59 lbs .....	26,8kgs
Conjunto de la base (sin incluir batería) .....	32,8 lbs .....	14,9kgs .....	32,9 lbs .....	14,9kgs
Mástil y larguero (sin incluir batería).....	30,9 lbs .....	14,0kgs .....	26,3 lbs .....	11,9kgs

Todas las medidas tienen un grado de +5/-5 de tolerancia.

**SPECIFICACIONES ELÉCTRICAS:**

BATERÍAS.....	Selladas y recargables de plomo-ácido de 24 voltios
CAPACIDAD DE BATERÍAS:.....	3,2 Ah
ENTRADA MEDIDA DEL CARGADOR .....	230 V CA 50/60 Hz
SALIDA MEDIDA DEL CARGADOR.....	27,4/ 29,0 V CC a 0,8 A

**PROTECCIÓN CONTRA DESCARGA ELÉCTRICA**

CARGADOR.....	CLASE II
ELEVADOR.....	FUENTE DE ENERGÍA INTERNA

**GRADO DE PROTECCIÓN CONTRA DESCARGA ELÉCTRICA**

CARGADOR.....	TIPO B
ELEVADOR.....	TIPO B

**CONDICIONES AMBIENTALES:**

Al aire libre, la funcionalidad y seguridad especificadas pueden verse comprometidas.

**RANGO DE TEMPERATURA Y HUMEDAD**

TEMPERATURA .....	>+5°C a <+40°C
HUMEDAD RELATIVA.....	20% a 90% a 30°C (no condensada)
PRESIÓN ATMOSFÉRICA .....	700 - 1060 Hpa

**ALMACENAMIENTO**

TEMPERATURA .....	>-10°C a <+50°C
HUMEDAD RELATIVA.....	20% a 90% a 30°C (no condensada)
PRESIÓN ATMOSFÉRICA .....	700 - 1060 Hpa

**CLASIFICACIONES IP**

CAJA DE CONTROL.....	IPX4
ACTUADOR .....	IPX4
CARGADOR EXTERNO .....	IPX5
BATERÍA .....	IPX5
CONTROL DE MANO .....	IPX5

**CICLOS DE TRABAJO**

ACTUADOR .....	10% (2 min. / 18 min.)
CARGADOR.....	4 horas (aprox.)

**ACÚSTICA**

NIVEL DE POTENCIA DE SONIDO (ESCALA PONDERACIÓN A).....	64 dB
---	-------

## EXPLICACIÓN DE LOS SÍMBOLOS:

Los signos enunciados a continuación se utilizan en el cargador, la unidad de control y la batería:



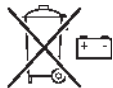
Equipo de tipo B, según EN 60601-1



Equipo de clase



El cargador y la unidad de control no deben desecharse junto con los residuos domésticos



La batería no debe desecharse junto con los residuos domésticos.



Las piezas de electrónica no deben desecharse junto con los residuos domésticos



Para uso en interiores solamente



ATENCIÓN: consulte los documentos adjuntos



## 10. Garantía

Esta garantía sólo cubre los elevadores HoyerPro. Esta garantía no cubre, ni se limita a, los siguientes elevadores: HML400, HPL600WB, HPL600WBSC, HPL402, C-HLA (y sus variaciones).

Los elevadores HoyerPro están garantizados por dos años a partir de la fecha de entrega por defectos de materiales y fabricación, siempre que se compruebe el uso y mantenimiento normal de los mismos. Esta garantía incluye todos los componentes mecánicos y eléctricos.

Los componentes mecánicos y estructurales de aluminio de nuestros elevadores están garantizados por un período de cinco (5) años desde la fecha de entrega.

La garantía quedará anulada si el elevador resultara dañado a consecuencia del uso en condiciones ambientales inadecuadas, o si el mantenimiento del producto no se realizara según las instrucciones del manual y las de mantenimiento. Asimismo, la garantía quedará anulada ante cualquier alteración, modificación o reparación que no sea efectuada o autorizada por escrito por Joerns Healthcare.

### **Piezas:**

Los elevadores HoyerPro contienen varias piezas que sufren desgaste debido al uso cotidiano del producto. Dichas piezas, como las baterías CC y las ruedas delanteras, no están cubiertas bajo la garantía de dos años, sino que están cubiertas durante 90 días tras la fecha de entrega.

Joerns Healthcare tiene la obligación, bajo esta garantía, de proporcionar piezas de repuesto, realizar reemplazos o tareas de mantenimiento, la opción que consideremos más apropiada, en cualquier producto que Joerns Healthcare detecte como defectuoso.

Las piezas reemplazadas durante el período de garantía están cubiertas por los términos de esta garantía hasta el vencimiento del período de garantía original del producto.

Si Joerns Healthcare así lo solicitara, las piezas deberán ser entregadas o devueltas con fines de verificación, y los costes correrán por cuenta del cliente. Cualquier crédito será emitido solamente después de realizada la verificación.

### **Mantenimiento:**

Nuestro Departamento de Mantenimiento local, con la asistencia del Departamento de Mantenimiento de Productos de Joerns Healthcare, recibe y gestiona la mayor parte de los servicios de mantenimiento.

La mayoría de las piezas solicitadas serán despachadas por vía aérea al día siguiente de efectuado el pedido, y los costes correrán por cuenta del cliente.

De ser necesaria la presencia de un técnico, Joerns Healthcare proporcionará uno a nuestra sola discreción. Solamente el Departamento de Mantenimiento de productos de Joerns Healthcare puede enviar técnicos autorizados.

Esta garantía se extiende al comprador original del equipo.





