



TECHNICAL REFERENCE GUIDE AND PARTS OVERVIEW

Ceiling lifts and tracking components

Page intentionally left blank

Design Policy and Copyright

® and ™ are trademarks belonging to the Arjo group of companies.
© Arjo 2022.

As our policy is one of continuous improvement, we reserve the right to modify designs without prior notice.

The content of this publication may not be copied either whole or in part without the consent of Arjo.

Content

Mobility Gallery	xii
Infection control	xiii
QR Codes	xiv

CEILING LIFTS

Ceiling lift solution chart	4
---------------------------------------	---

Fixed ceiling lifts

Charging methods	9
Spreader bar attachment	10
Maxi Smart	11
Part numbers	11
Compatibility with ceiling lifts	11
Spreader bar compatibility	12
Infection control	13
What cleaning solutions to use ?	13
Maxi Sky 2 Series	15
Overview	17
Maxi Sky 2 Infection Control & Maxi Sky 2	19
Key features	20
Product information	22
Product nomenclature	23
Common parts	24
Compatibility with tracking systems	25
Maxi Sky 2 Transportable	25
Maxi Sky 2 Transportable compatibility KWIKtrak accessories	25
Scales	26
Compatible spreader bars	26
Space requirements	28

Product dimensions	29
Maxi Sky 2 & Maxi Sky 2 Infection Control	29
2-point spreader bar (Small)	30
Infection Control 2-point spreader bar	30
2-point spreader bar	31
4-point spreader bar	31
Flat DPS	32
Powered DPS (Medium)	32
Powered DPS (Large)	33
DPS manual open (Medium)	33
Morgue stretcher bar	34
Stretcher frame	34
Scale unit	35
Maxi Sky 2 IC with Transportable receiving module	35
Maxi Sky 2 Basic	37
Key features	38
Product information	39
Product nomenclature	40
Common parts	41
Compatibility with tracking systems	42
Maxi Sky 2 Transportable	42
Maxi Sky 2 Transportable compatibility KWIKtrak accessories	42
Scales	43
Compatible spreader bars	43
Space requirements	44
Product dimensions	45
Maxi Sky 2 Basic	45
2-hook spreader bar for Maxi Sky 2 Basic	46
DPS Flat Manual	46

Carry Bar 4-hook 272 kg (600 lb)	47	Fixed tracking solutions	89
DPS Manual Open Ceiling	47	Anatomy of a tracking layout	90
Morgue spreader bar	48	Typical installation layouts	92
Scale unit	48	Linear tracking solutions	92
Maxi Sky 2 Basic with Transportable receiving module	49	X-Y tracking solutions	93
Maxi Sky 2 Plus Series	51	Tracking with accessories solutions	94
Maxi Sky 2 Plus Infection Control & Maxi Sky 2 Plus	53	KWIKtrak rails and accessories	95
Key features	54	Track section chart	96
Product information	56	Dimensions	97
Product nomenclature	57	Anatomy of a track	98
Common parts	58	Embedded track system	99
Compatibility with tracking systems	59	Close-up VIEW	100
Compatible spreader bars	59	Part numbers	100
Scales	60	Safe working load (SWL)	100
Space requirements	60	X-Y System	101
Product dimension	61	Layout example	102
Maxi Sky 2 Plus	61	Usage example	103
Maxi Sky 1000	63	X-Y Trolley options for 272kg (600 lb)	104
Key features	64	X-Y Trolley options for 454kg (1000 lb)	105
Product information	65	Possible combinations and Powering system compatibility	106
Product nomenclature	66	Part numbers	107
Common parts	67	Gate	109
Compatibility with tracking systems	67	Anatomy of the gate system	110
Compatible spreader bars	68	Key features	110
Scales	68	Gate compatibility w/ ceiling lifts	112
Space requirements	69	Safe working load (SWL)	112
Product dimension	70	Part numbers	113
Maxi Sky 1000	70	Part numbers	114
Morgue stretcher for bariatric/MS1000	71	Gate for Maxi Sky 2 usage examples	115
4-Point spreader bar	71	Gate for Maxi Sky 2 Plus usage examples	116
2-point spreader bar	72	Turntable	117
Scale unit 454 kg (1000 lb)	72	Layout example	118
Portable ceiling lifts	73	Part numbers	118
Maxi Sky 440	75	Compatibility with ceiling lifts	118
Key features	76	Safe working load (SWL)	118
Product information	78	Set up (Automatic turntable)	120
Product nomenclature	79	Set up (Manual turntable)	120
Compatibility with tracking systems	79	Exchanger	121
Common parts	80	Layout example	122
Compatible spreader bars	81	Part number	122
Space requirements	81	Compatibility with ceiling lifts	122
Product dimension	82	Safe working load (SWL)	122
Maxi Sky 440	82	Set up	124
TRACKING		Cathedral ceiling bracket	125
Tracking solution chart	88	Close-up views	126
Fixed tracking systems	88	Part number	126
Portable tracking systems	88	Compatibility with ceiling lifts	126
		Safe working load (SWL)	126
		Wall bracket	127
		Layout example	128
		Part number	128

Compatibility with ceiling lifts	128	Product information	163
Safe working load (SWL)	128	Common parts	163
Wall post	129	Product dimension	164
Layout example	130	Easytrack FS	165
Part number	130	Usage example	166
Compatibility with ceiling lifts	130	Product information	167
Safe working load (SWL)	130	Common parts	167
Wall post/Side mounted	131	Product dimension	168
Layout example	132	Easytrack 2 posts	169
Part number	132	Usage example	170
Compatibility with ceiling lifts	132	Product information	171
Safe working load (SWL)	132	Common parts	171
Wall mount	133	Product dimension	172
Wall fixation method for concrete, bricks or wooden studs	133	Easytrack 3 posts	173
Layout example	134	Usage example	174
Part number	134	Product information	175
Compatibility with ceiling lifts	134	Common parts	175
Safe working load (SWL)	134	Product dimension	176
Wall mount	135	Easytrack 4 posts X-Y Gantry	177
Wall fixation method for steel studs with drywall	135	Usage example	178
Layout example	136	Product information	179
Part number	136	Common parts	179
Compatibility with ceiling lifts	136	Product dimension	180
Safe working load (SWL)	136	Easytrack 2 posts system with a bath adaptor	181
Enhanced Charging System (ECS)	139	Usage example	182
Anatomy of the ECS	140	Product information	183
Key features	140	Common parts	183
Part numbers	141	Product dimension	184
Compatibility with ceiling lifts	141	Easytrack 3 post system with bath adaptor	185
Compatibility w/ track layout and accessories	141	Usage example	186
Competitor and legacy tracks compatibility	143	Product information	187
Part numbers	144	Common parts	187
Compatibility with ceiling lifts	144	Product dimension	188
Safe working load (SWL)	144	Easytrack 2 wall brackets	189
Competitor & legacy track compatibilities	145	Usage example	190
		Product information	191
		Common parts	191
		Product dimension	192
		Easytrack 3 wall brackets	193
		Usage example	194
		Product information	195
		Common parts	195
		Product dimension	196
		Easytrack 1 post with wall bracket	197
		Usage example	198
		Product information	199
		Common parts	199
		Product dimension	200
		Easytrack 2 posts with wall bracket	201
		Usage example	202
		Product information	203

Installation components 147

Tracking components	148
Arjo tools	149
Installation hardware	150

Portable tracking solutions 153

Semi-permanent rack (2-Posts)	157
Usage example	158
Product information	159
Maximum kwiktrak vs. capacity and track size	159
Common parts	159
Product dimension	160
X-Y Semi-permanent rack (4-Posts)	161
Usage example	162

Common parts	203
Product dimension	204

ACCESSORIES

Maxi Carts

Overview	211
Maxi Cart For Maxi Sky 2 series	212
Maxi Cart 2 (for spreader bars)	213
Maxi Cart 440	214
Part numbers	215
Spare parts for Maxi Cart 440	215
Spare parts for Maxi Cart 440 & Maxi Cart for MS2	215
Product dimension	216
Maxi Cart for Maxi Sky 2 Series	216
Product dimension	217
Maxi Cart 2 (for spreader bars)	217
Product dimension	218
Maxi Cart 440	218

Privacy curtain solutions

Swivel pole for curtain	221
Part numbers	222
Product dimension	222

Miscellaneous

Wall hooks	224
Part numbers	224
Product dimension	224
Weight load test	225
Part numbers	225

APPENDIX

Portal for architects and planners	228
Metric conversions and equivalents	229
Glossary	230

Page intentionally left blank





At Arjo, we believe that empowering movement within healthcare environments is essential to quality care.

Our products and solutions are designed to promote a safe and dignified experience through patient handling, medical beds, personal hygiene, disinfection, diagnostics, and the prevention of pressure injuries and venous thromboembolism.

With 60 years caring for patients and healthcare professionals, we are committed to driving healthier outcomes for people facing mobility challenges.

Mobility Gallery

The Mobility Gallery uses colour coded icons from A to E to represent the 5 levels of functional mobility. Each level of mobility is personified in the characters Albert, Barbara, Carl, Doris and Emma.

Mobility, as well as the patients' self-reliance, largely determines the physical assistance someone needs and the physical loads (static and dynamic) on the caregivers. Reduced mobility will result in an increased need for help and eventually more equipment to assist. Without the right equipment, this assistance results in more physical loads for the caregivers.

Good quality of care not only takes the

patient's mobility into account, but also the caregivers' health. Quality of work and quality of care are linked when it comes to mobility. These icons are also used within the Mobility Classification Tool and referenced in the International Standardization Organization Technical Report 2011¹.

A Ceiling lift such as Maxi Sky 2 can also be used to support Barbara and Carl from Arjo Mobility Gallery, during

rehabilitation activities, such as repositioning in bed, sitting at the edge of the bed and ambulation. Using the ceiling lift with an ambulation sling, for example, combined with a walking frame, can offer additional support and confidence when practising walking and other therapeutic activities. This allows the therapist to focus on guiding the activity, whilst the device supports, reducing the risk for both therapist and patient.



Albert



Barbara



Carl



Doris

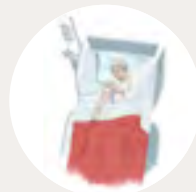
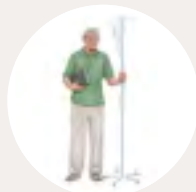


Emma

Long term care



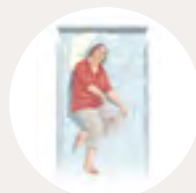
Acute care



Bariatric care



Special care



¹ International Standardisation Organisation Technical Report: Ergonomics: manual handling of people in the healthcare sector. TR12296 (2012)

Infection control

Healthcare-associated infections (HAIs) cause untold suffering to those affected and are a significant source of complications across the continuum of care while being associated with a substantial increase in health care costs.

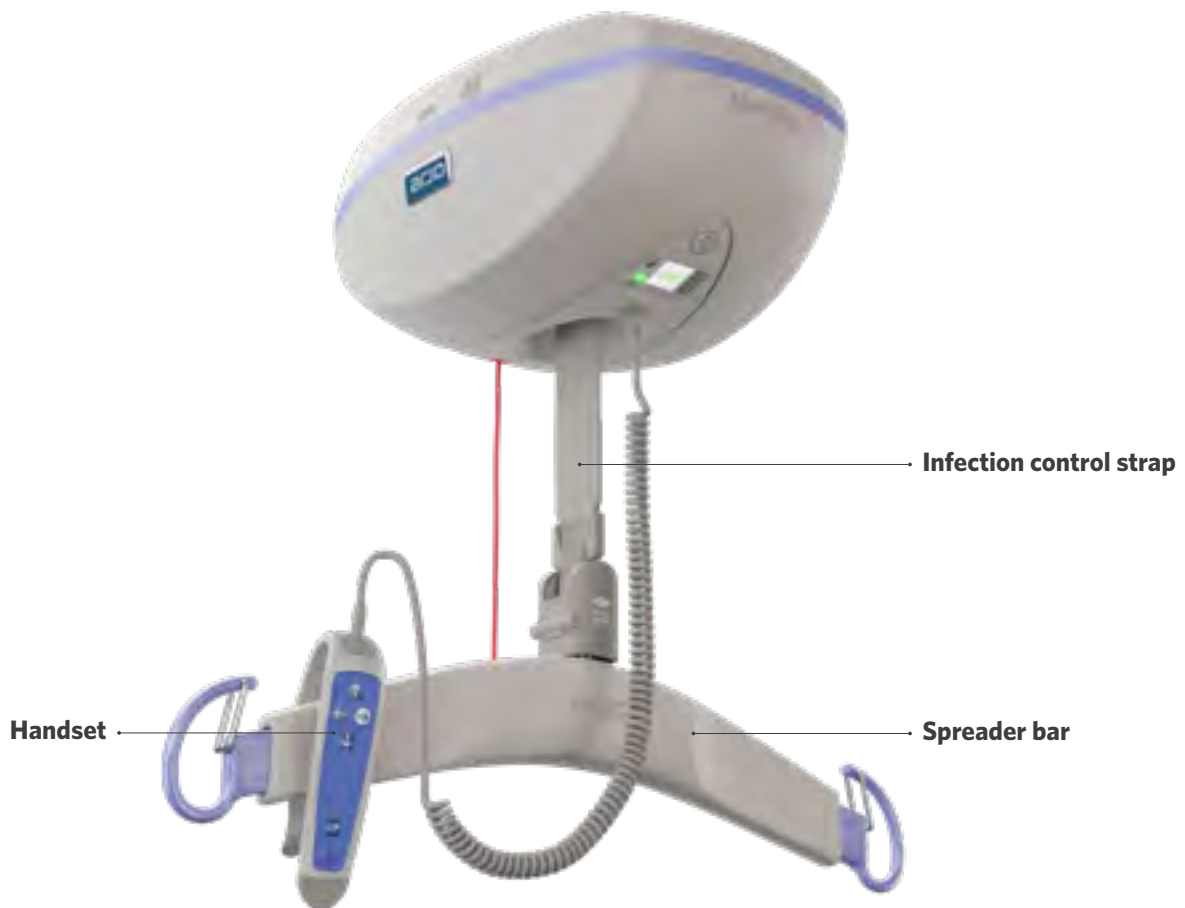
In the healthcare setting, contaminated non-critical medical devices and equipment can play a role in the transmission of potentially harmful microorganisms. Contaminated equipment is touched and microorganisms are transferred onto caregivers hands only to be transferred to another patient or device.

Regular and thorough cleaning of medical devices and equipment disrupts transmission to the caregiver and patient by decreasing the amount of microorganisms

present. This decreases the risk of infection.

While hand hygiene is the single most effective means of decreasing healthcare associated infections, the need for easy, effective cleaning and disinfection of non-critical medical devices and equipment is also important.

Conclusion: A comparison study was conducted to evaluate the effect of disinfection on two different composite materials used as straps in Maxi Sky 2® ceiling lift.



QR Codes

Visit the webpage

If you want more information about the products contained within this document, "Visit the webpage" QR Code. please point out the standard Camera application of your mobile device (iOS or Android) to scan it and follow the popup. It will lead you to the Arjo webpage dedicated to the specific product.



Example of The QR Code leads to the Arjo website



Augmented reality

Some products have a "View in AR" QR Code on their main page. You can apply the same scanning behavior with your Mobile Phone or Tablet, to see the product in Augmented Reality, at scale. Make sure the ambient light in the room is good enough, and point your device to the floor or ceiling to see the model in Augmented Reality.



Example of Arjo Floor Lifters in Augmented Reality

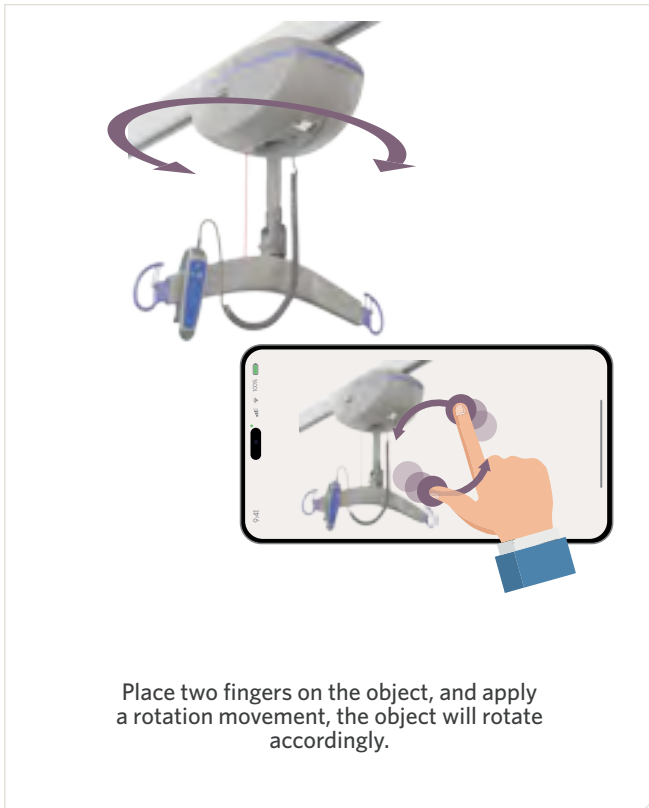


How to manipulate Augmented Reality (AR) objects

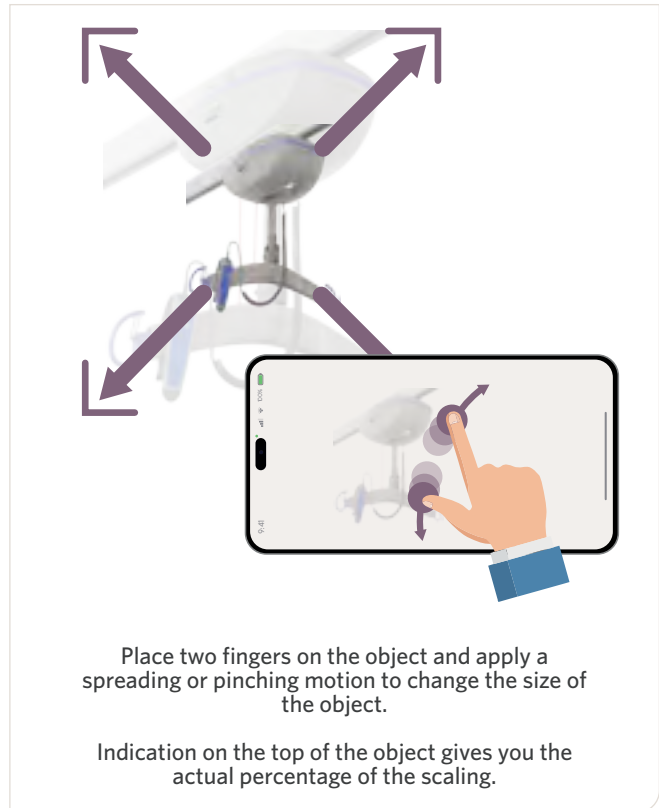
You can move around the product to see details. You can also interact with the product, using intuitive finger movements on your device screen. Thus, you can move the virtual object on a table, modify its size or apply a rotation to it, in order to place it in the correct axis to pass a door, for example.

Note that, at 100%, the virtual object is *approximately* at its real life scale.

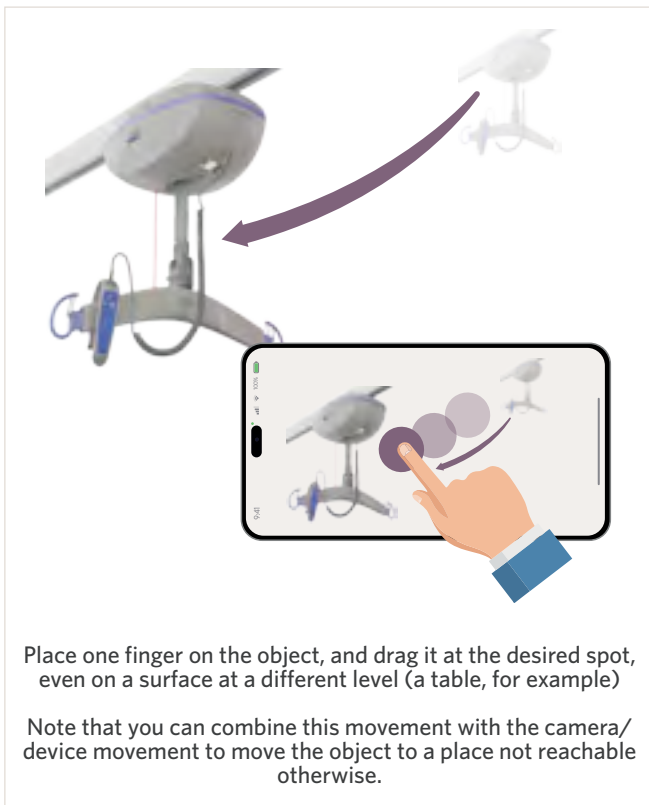
Rotate



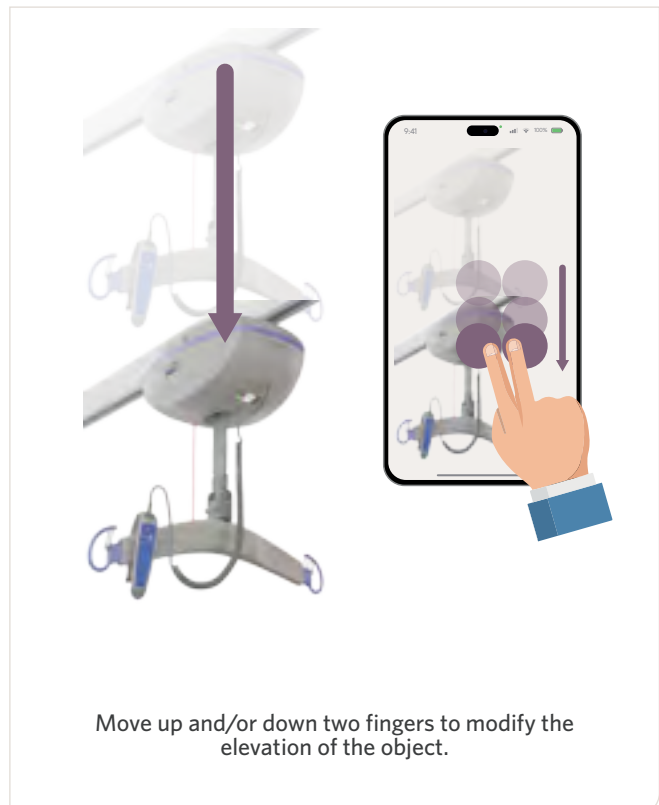
Scale up/down



Move



Modify elevation





Ceiling lifts

Visit the webpage



Page intentionally left blank



Fixed ceiling lifts

General patients



Maxi Sky 2 Series

Bariatric patients



Maxi Sky 2 Plus Series

Maxi Sky 1000

Portable ceiling lifts






General patients






Maxi Sky 440

Ceiling lift solution chart

FIXED CEILING LIFT FOR GENERAL PATIENT GROUP

	MAXI SKY 2 INFECTION CONTROL	MAXI SKY 2	MAXI SKY 2 BASIC
GENERAL FEATURES			
Lifting capacity	120 kg (265 lb) 200 kg (440 lb) 272 kg (600 lb)	120 kg (265 lb) 200 kg (440 lb) 272 kg (600 lb)	120 kg (265 lb) 200 kg (440 lb) 272 kg (600 lb)
Unit weight (batteries included)	4-function: 12.7 kg (28 lb) 2-function: 11.4 kg (25 lb)	4-function: 12.7 kg (28 lb) 2-function: 11.4 kg (25 lb)	4-function: 12.7 kg (28 lb) 2-function: 11.4 kg (25 lb)
Scale (External add-on)	•	•	•
Infection control strap	•		
Quick connect spreader bar	•	•	
C-STAT (Dedicated Contact Station)	•	•	•
ECS (Enhanced Charging System)	•	•	
WCS (Wall Charging System)	•	•	
COMPATIBLE TRACK AND TRACK ACCESSORIES			
KWIKtrak 90	•	•	•
KWIKtrak 140	•	•	•
KWIKtrak 180	•	•	•
X-Y System	•	•	•
Gate (power sharing activation)	•	•	•
Turntable (power sharing or manual activation)	•	•	•
Exchanger (power sharing activation)	•	•	•
Wall bracket	•	•	•
Wall posts	•	•	•
KWIKtrak Wall Mount Method	•	•	•
Easytrack			
Easytrack FS	•	•	•
Semi-permanent	•	•	•
COMPATIBLE SPREADER BARS			
2-Point Spreader bar	•	•	•
4-Point Spreader bar	•	•	•
4-Point Manual DPS Spreader bar (Dynamic Positioning System)	•	•	•
4-Point Powered DPS Spreader bar (Dynamic Positioning System)	•	•	
Morgue Stretcher Frame	•	•	•
COMPATIBLE STRETCHER			
Stretcher Frame	•	•	•
Soft stretcher sling	•	•	•
Strap stretcher	•	•	•
SERVICES			
Maxi Smart	○	○	
SLIDING AIDS			
All sliding aids	•	•	•
MOBILITY LEVEL COMPATIBILITY			
 Albert			
 Barbara			
 Carl	•	•	•
 Doris	•	•	•
 Emma	•	•	•

FIXED CEILING LIFTS FOR BARIATRIC PATIENT GROUP






	MAXI SKY 1000	MAXI SKY 2 PLUS	MAXI SKY 2 PLUS INFECTION CONTROL
GENERAL FEATURES			
Lifting capacity	454 kg (1000 lb)	454 kg (1000 lb)	454 kg (1000 lb)
Unit weight (batteries included)	22 kg (48 lb) Four-function model	51.6 kg (113.5 lb)	51.6 kg (113.5 lb)
Scale (External add-on)	●	●	●
C-Stat (Dedicated Contact Station)	●	●	●
ECS (Enhanced Charging System)	●	●	●
COMPATIBLE TRACK AND TRACK ACCESSORIES			
KWIKtrak 90	●	●	●
KWIKtrak 140	●	●	●
KWIKtrak 180	●	●	●
X-Y System	●	●	●
Gate		●	●
Turntable			
Exchanger			
Wall bracket			
Wall posts			
KWIKtrak Wall Mount Method			
Easytrack			
Easytrack FS			
Semi-permanent	●	○ ³	○ ³
COMPATIBLE SPREADER BARS			
2-Point Spreader bar	●	● ¹	● ¹
4-Point Spreader bar	●	● ^{1,2}	● ^{1,2}
4-Point Manual DPS Spreader bar (Dynamic Positioning System)		● ¹	● ¹
4-Point Powered DPS Spreader bar (Dynamic Positioning System)		● ¹	● ¹
Morgue Stretcher Frame	●	● ¹	● ¹
COMPATIBLE STRETCHER			
Stretcher Frame	●	●	●
Soft stretcher sling	●	●	●
Strap stretcher	●	●	●
SERVICES			
Maxi Smart		○	○
SLIDING AIDS			
All sliding aids	●	●	●
MOBILITY LEVEL COMPATIBILITY			
 Albert			
 Barbara			
 Carl	●	●	●
 Doris	●	●	●
 Emma	●	●	●

● = Available
○ = Optional
Empty = Not available

¹ In single mode (with Safe Working Load of 272 kg (600 lb)).
² In dual mode.
³ Available for representatives. Not to be used to lift people.

General Note: Product and accessories availability may vary depending on your region.

PORTABLE CEILING LIFTS

MAXI SKY 440	
GENERAL FEATURES	
Lifting capacity	200 kg (440 lb)
Unit weight (batteries included)	6.35 kg (14 lb)
Scale adaptor	•
Cable charging	•
COMPATIBLE TRACK AND TRACK ACCESSORIES	
KWIKtrak 90	•
KWIKtrak 140	•
KWIKtrak 180	•
X-Y System	•
Gate	
Turntable	Manual pull cord
Exchanger	
Wall bracket	•
Wall posts	•
KWIKtrak Wall Mount Method	•
Easytrack	•
Easytrack FS	•
Semi-permanent	•
COMPATIBLE SPREADER BARS	
2-Point Spreader bar (Integrated)	•
SLIDING AIDS	
All sliding aids	•
MOBILITY LEVEL COMPATIBILITY	
 Albert	
 Barbara	
 Carl	•
 Doris	•
 Emma	•

Fixed ceiling lifts



Page intentionally left blank

CHARGING METHODS

Contact Station (C-Stat)



The ceiling lift charges only when it is connected to a dedicated charging station, located on the track path. Therefore you have to return the ceiling lift back to its charging station in order to charge.

Enhanced Charging System (ECS)



The charge anywhere along the track path solution, is more convenient but is not compatible with the KWIKtrak tracking accessories like the Turntable, Gate, or Exchanger. With embedded track installations, the ECS solution is mandatory. (See Ceiling Lift Solution Chart for ceiling lift type compatibilities)



Wall Charging System (WCS)

In the specific case of the installation of Maxi Sky 2 into certain KWIKtrak tracking configurations and competitor or legacy tracking systems, we offer the Wall Charging Solution (WCS).

It consists of a Maxi Sky 2 with an adapted trolley, and a kit, including a wall charger, an adapter and a wall hook. It is fully compatible with both straight tracks and X-Y systems, with an evolving numbers of competitor tracks.

Notes:

-For more information about compatible competitor and legacy tracks, please refer to the *Competitor and legacy* tracking section.

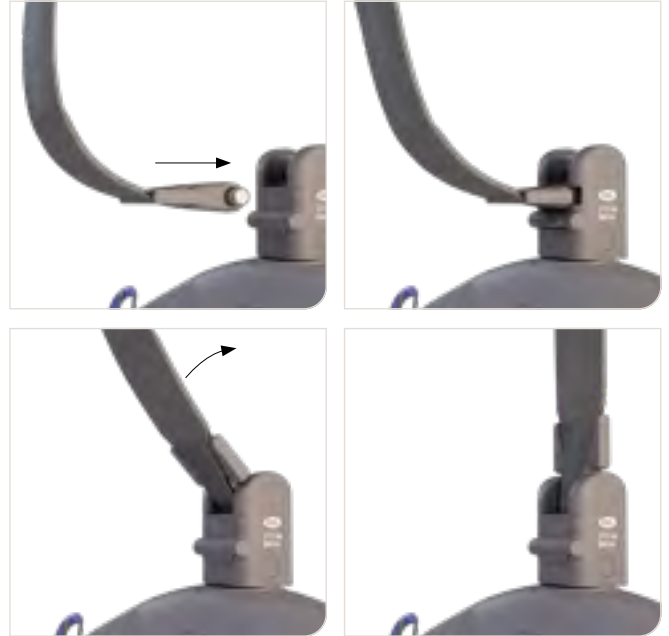
-For compatibilities and ceiling lift part numbers, please refer to the corresponding ceiling lifts section.

SPREADER BAR ATTACHMENT

The spreader bar features an attachment which allows the caregiver to change it in a few steps without using any tools. We propose two different options, depending on the selected ceiling lift:

Quick Connect

Ideal when interchange the spreader bar for different clinical needs, the Quick Connect systems is done in 3 simple steps.



Standard connect (Clevis pin and split ring solution)

When it is not required to interchange spreader bars frequently.



MAXI SMART

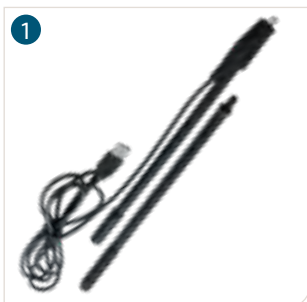


The Maxi Smart™ service is an intelligent software addition to your Maxi Sky 2 ceiling lift system. With MaxiSmart you can now maximize the usage of your lifts, increase the cost-effectiveness of your investment, ensure better usage planning and plan your resources better.

For Maxi Smart, contact your local Arjo marketing department

PART NUMBERS






















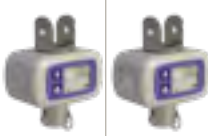


ARTICLE #	NAME
1 700-15755	USB Cable overmold (Wand)



COMPATIBILITY WITH CEILING LIFTS

CEILING LIFTS	COMPATIBILITY
Maxi Sky 440	
Maxi Sky 2	•
Maxi Sky 2 Infection control	•
Maxi Sky 2 Basic	
Maxi Sky 1000	
Maxi Sky 2 Plus Series	•

Spreader bar compatibility

	Maxi Sky 2 (Series) & Maxi Sky 2 Plus (Single mode)	Maxi Sky 2 Basic	MaxiSky 1000	Maxi Sky 2 plus (Dual mode)	Maxi Sky 2 plus Infection Control (Dual mode)
2-hook	 700-19415 700-19420 700-19470	 700-05461	 700-05401	N/A	N/A
4-hook	 700-19430	 700-05443	 700-05441	 700-31240	 700-31252
Flat DPS manual	 700-19475	 700-19200	N/A	N/A	N/A
Open DPS manual	 700-19480	 700-19340	N/A	N/A	N/A
Powered DPS medium	 700-19350 (Not compatible with WCS MS2)	N/A	N/A	N/A	N/A
Powered DPS large	 700-19355 (Not compatible with WCS MS2)	N/A	N/A	N/A	N/A
Stretcher frame	 700-15695	 700-19522	N/A	N/A	N/A
Morgue stretcher	 700.05382 & 700.05387	 700.05380 & 700.05385	 700.05389	N/A	N/A
Scale	 Standard 700-19485 Class III 700-19490	 Standard 700-00511 Class III 700-00531	 Standard 700-00526 Class III 700-00536	 Standard 2x 700-19485 Class III 2x 700-19490	 Standard 2x 700-19485 Class III 2x 700-19490

Infection control

Our complete range of Maxi Sky ceiling lifts is designed to integrate with your care environment, helping to ensure a safe, comfortable and dignified experience for everyone involved. The ceiling lifts are installed, stored and operated so that a single caregiver can transfer patients or residents smoothly without any manual lifting, thereby helping to reduce the risk of injury for themselves and the person in their care.




You minimise the risks and associated burdens of cross infection in ceiling lift transfers.

Supports an optimized ceiling lift cleaning and disinfection process.

Non-porous components are the lifting strap, emergency cord and spreader bar. Intuitive user interface LCD interface provides instant and clear feedback on the state of the lift.

WHAT CLEANING SOLUTIONS TO USE ?

Whenever you see this symbol in the next pages, refer to this table to find out which cleaning solutions can be used.

DISINFECTION AGENTS COMPATIBILITY				
Quaternary Ammonium	≤ 0.21% (2100 ppm)	•	•	•
Isopropyl Alcohol	≤ 70%	•	•	•
Phenolic	≤ 1.56% (15600 ppm)	•	•	•
Bleach ¹	≤ 1%		•	•
Paracetic Acid ¹	≤ 0.25%			•
Hydrogen Peroxide ¹	≤ 1.5%			•

¹ If the spreader bar cover is made of vinyl, do not use these disinfection agents.

Page intentionally left blank



Maxi Sky 2 Series

Page intentionally left blank

OVERVIEW

The Maxi Sky 2 Series is offered in three different versions.



Maxi Sky 2 Infection Control



Maxi Sky 2



Maxi Sky 2 Basic

Page intentionally left blank



Maxi Sky 2 Infection Control & Maxi Sky 2

A complete and intuitive patient handling solution

Arjo Mobility Gallery



C

C. Able to partially bear weight on at least one leg. Uses a wheelchair for moving a distance.



D

D. Unable to weight bear through feet. Is able to sit if well supported.



E

E. Difficulty maintaining sitting hence might remain lying/partially lying in bed

 View in AR



Visit the webpage



KEY FEATURES

Charging method

Enhanced Charging System (ECS),
dedicated Charging Station (C-Stat),
or Wall Charging System (WCS)

USB port access

Auxiliary buttons

Lowering and raising
auxiliary buttons

Emergency stop

Lifting strap

Maxi Sky 2: Woven nylon lifting strap
Maxi Sky 2 Infection Control: non porous lifting strap

Quick Connect

Control panel with LCD screen

Interactive screen displaying
information such as total lifts,
maintenance and malfunction
indicator.

Spreader bar

Depending on Series type

Illustrated model:
Maxi Sky 2 Infection Control

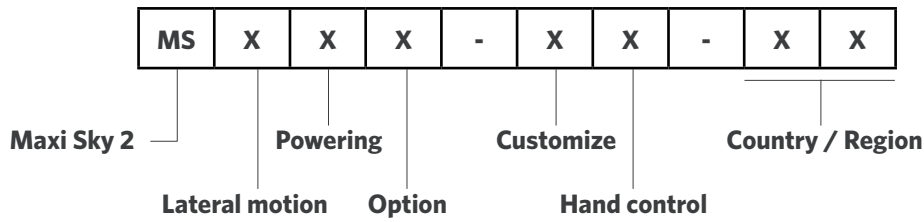




PRODUCT INFORMATION

GENERAL	
Weight, complete (Four-function model)	12.3kg (27 lb)
Weight, complete (Two-function model)	11.6kg (26 lb)
Operating force of control	< 5 N
Lifting capacity	120kg (265 lb), 200kg (440 lb), 272kg (600 lb)
Strap length	2500 mm (98.4")
Lifting speed	5.1 cm/sec (2.0") without load 4.2 cm/sec (1.7") at 120 kg (265 lb) 3.8 cm/sec (1.5") at 200 kg (440 lb) 3.3 cm/sec (1.3") at 272 kg (600 lb)
Maximum stroke (from ceiling)	2300 mm (90.6")
Adjustable horizontal displacement speeds	10, 15, 20 cm/sec. (4, 6, 8"/sec.) Preset at 20 cm/sec (8"/sec.)
ELECTRICAL	
Duty cycle	Up/Down Motor: Max 10%, 2 minutes continuously Left/Right Motor: Max 20%, 5 minutes continuously Sit/Reclined Motor: Max 10%, 2 minutes continuously
Charging method compatible	Contact station, ECS and WCS
Horizontal axis motor	24 VDC, 62 watts
Vertical axis motor	24 VDC, 360 watts for 2 minutes max.
Noise level for either raising or lowering	max. 61 dBA max. (with or without load)
Rating	24 VDC 15 A
Medical equipment	Type BF protection against electrical shock in accordance with IEC60601-1
Battery type	2X 12 V, 5 Ah, sealed rechargeable valve regulated lead acid battery
Battery capacity	Provides up to 120 transfers with a load of 100kg (220 lb), up to 32 transfers with a load of 272 kg (600 lb), up to 70 transfers with a load of 200kg (440 lb)
Battery Autonomy	Provides up to 120 transfers with a load of 100 kg (220 lb), up to 70 transfers with a load of 200 kg (440 lb) , 32 transfers with a load of 272kg (600 lb)
Battery Charger input	100-240 VAC 50-60 Hz
Battery Charger output	28.1 VDC 1 A max
Battery Charger safety protection	Class 2, double insulated 28.1 VDC 1 A max
Low battery indicator	Audible, visual LED and battery status on LCD screen
Charging indicators	Blinking green LED and battery scrolling symbol on screen
Degree of protection	IP24 (lift), IPX7 (Handcontrol)
Lift - protection class	Shock prevention Internally powered equipment
Electronic microprocessor	Soft-start and stop motor control
Maintenance required indicator	Visual LED, symbol and code on LCD screen
Noise level for either raising or lowering, with or without load.	61 dBA max.
ABS fire retardant	V0
SAFETY FEATURES	
Auxiliary up and down emergency buttons	Located on the motor cab
Emergency stopping device (pull cord) accessible from the ground	Stop all electric functions
Manual emergency lowering device	Located on the motor cab
Emergency brake	Triple centrifugal emergency brake system
Return to charge function	Weight sensor cut-out initiated by user (optional)
Compliant with:	ISO10535:2006, IEC60601-1:2005, ISO 10535, UL 60601, IEC 60601, CSA 10535, EN 45501, EUMDR, CE

PRODUCT NOMENCLATURE



LATERAL MOTION:	
0	2 function
1	4 function
2	2 function Up/down electrical motor brake (see note 6)
4	4 function Up/down electrical motor brake (see note 6)

POWERING:	
0	ECS, Enhanced Charging System (see note 1)
1	CSTAT, Charger Station
2	WCS, Wall Charging System (see note 4)
3	ECS for gate layouts

OPTION:	
0	None
1	Radius wheels (see note 2)
2	Narrow wheels (see note 3)
3	PCB with conformal coating
4	Without Quick connect
5	Infection control
6	Infection control +PCB with conformal coating

HAND CONTROL:	
0	No hand control
1	Regular
2	Regular with DPS control (see note 1)

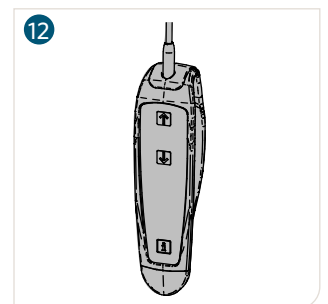
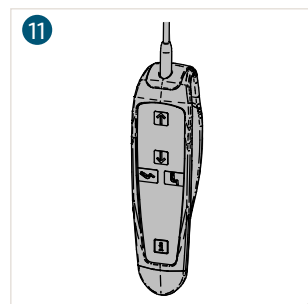
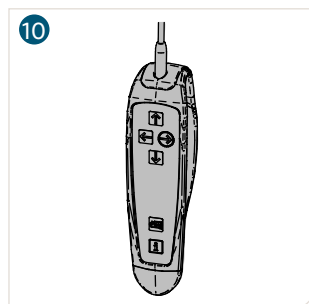
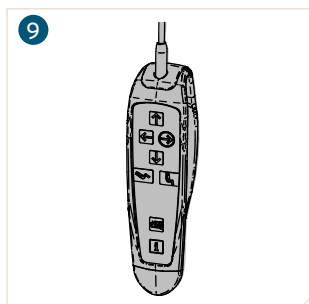
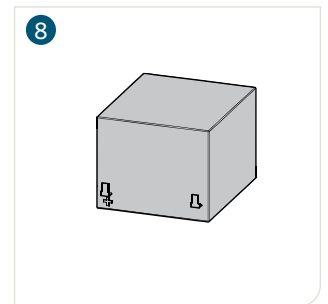
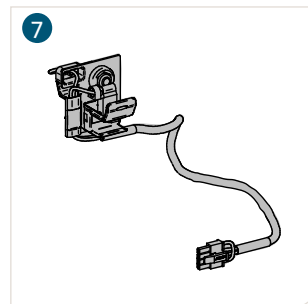
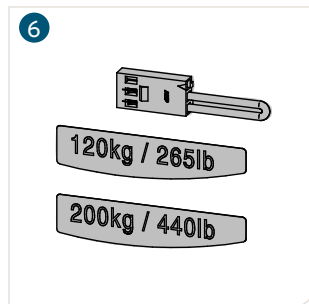
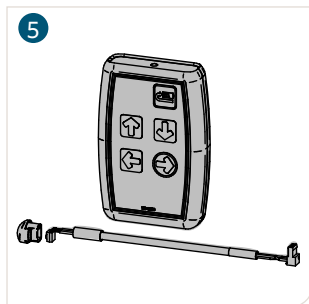
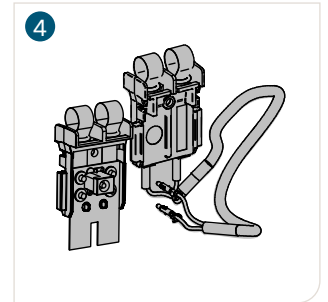
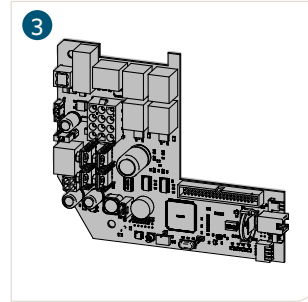
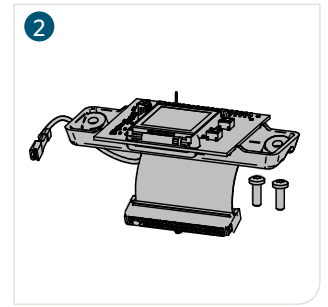
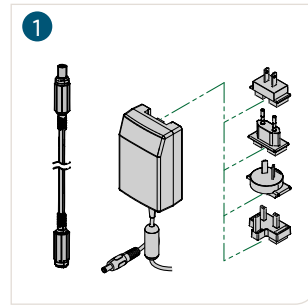
CUSTOMIZE:	
0	None
1	Maxi Sky 2 Plus
2	Extended trolley
A	Bravo
B	BHM old track
E	Bianca
G	GTM
L	Liko
M	Marka track
N	Innomedic
P	Paramedic
Q	Guldmann GH2
R	Guldmann GH3
S	Midi (see note 5)
T	THE (Single high)
V	Waverley Glen (Supertrack)
W	Waverley Glen (Regular track)

COUNTRY/REGION:									
00	Central W.H.	12	Poland	24	Slovakia	36	Greece	48	Algeria
01	U.S.A.	13	China	25	Austria	37	Hungary	49	Vietnam
02	Canada	14	Middle East	26	Hong Kong	38	Israël	50	Iran
03	Belgium	15	Portugal	27	Singapore	39	Lativa	51	Libya
04	Switzerland	16	Norway	28	Japan	40	Romania	52	Taiwan
05	Germany	17	Czech Republic	29	Korea	41	Saudi Arabia	53	Serbia
06	France	18	Denmark	30	India	42	Thailand	54	Seychelles
07	Netherlands	19	Lithuania	31	South Africa	43	Bosnia-Herzegovina	55	Middle America
08	United Kingdom	20	Russia	32	Nigeria	44	U.A.E	56	Croatia
09	Italy	21	Turkey	33	Brazil	45	Slovenia	98	Europe
10	Spain	22	Australia	34	Scandinavia	46	Bulgaria	99	International
11	Sweden	23	New Zealand	35	Finland	47	Ecuador	N/A	Europe + UK

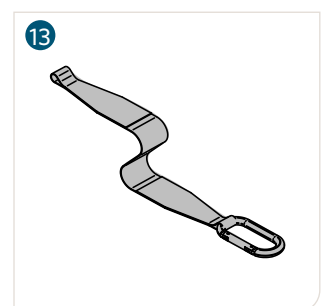
General Note: Product and accessories availability may vary depending on your country/region.
 Note 1: These options are available only with customize Options "0" and "P".
 Note 2: These options are only available with customize Options "G", "V" and "W".
 Note 3: These options are only available with customize Option "T".
 Note 4: These options are only available with hand control "0" and "1".
 Note 5: These options are only available with lateral motion option "0".
 Note 6: Available only for country/region 01

COMMON PARTS

ARTICLE #	DESCRIPTION
1 700-15511	Universal charger for KWIKtral track
2 700-15720	LCD circuit kit (with prog)
2 700-15741	LCD circuit kit (with prog) + CC
3 700-15701	Main PCB kit - Regular
3 700-15692	Main PCB kit - Coated
4 700-15706	Contact blade kit
5 700-15724	Infra-red
6 700-15705	SWL kit
7 700-15707	ECS kit
8 403.10500	12V 5Ah batteries
9 700-13841-B	Hand control for 4-Function Unit with DPS
10 700-13842-B	Hand control for 4-Function Unit
11 700-13861-B	Hand control for 2-Function Unit with DPS
12 700-13862-B	Hand control for 2-Function Unit
13 700-14030	1-Meter coated strap extension



¹ "XX" corresponds to the country code:
 01 = United States & Canada (US/CA)
 08 = United Kingdom (UK)
 22 = Australia (AU)
 98 = Europe (EU)



COMPATIBILITY WITH TRACKING SYSTEMS

KWIKTRAK LAYOUTS	COMPATIBILITY
Suspended tracks	●
Embedded tracks	●
Wall to wall	●
X-Y system	●
Turntable (automatic)	●
Turntable (manual)	●
Exchanger	●
Gate	●

KWIKTRAK LAYOUTS	COMPATIBILITY
Curtain gap	● ¹
Curve (standard)	●
Curve (large)	●
MS2 Transportable (ECS & C-Stat)	●
Easytrack	
Easytrack FS	● ²
Semi-permanent	●

¹ With special trolley

² Easytrack FS, rep version only

MAXI SKY 2 TRANSPORTABLE

The ceiling lift relocation accessory allows Maxi Sky 2 ceiling lift to be easily removed from its current location and transported to another room that is also equipped with a receiving module.

ARTICLE #	DESCRIPTION
1 700-31409	C-Stat conversion kit
2 700-31405	ECS conversion kit
3 700-31400-XX¹	C-Stat receiving module kit
4 700-31401-XX¹	ECS receiving module kit
5 700-31421-XX¹	Curtain gap receiving module kit



Maxi Sky 2 Transportable compatibility KWIKtrak accessories

KWIKTRAK LAYOUTS	COMPATIBILITY
Suspended tracks	●
Embedded tracks	● ¹
Wall to wall	●
X-Y system	● ³
Turntable (automatic)	● ²
Turntable (manual)	● ²
Exchanger	● ²

KWIKTRAK LAYOUTS	COMPATIBILITY
Gate	● ³
Curtain gap	● ²
Curve (standard)	● ³
Curve (large)	●
Easytrack	●
Easytrack FS	●
Semi-permanent	●

¹ ECS receiving module only

² Vary, depending on model and X-Y configuration

³ C-Stat receiving module only

The Maxi Sky 2 Transportable accessory is often offered with the Cart for Maxi Cart 2. For more information about it, please refer to the Accessories chapter in this document.














SCALES

ARTICLE #	DESCRIPTION
1 700-19485	Scale Unit/ 272 kg (600 lb) Quick Connect
2 700-19490	Scale Unit/ 272 kg (600 lb) Class III ¹ Quick Connect

¹ Class III scales shall be calibrated by a notified body, prior to put into service.



COMPATIBLE SPREADER BARS

ARTICLE #	DESCRIPTION	DISINFECTION AGENTS
 700-19420	Carry Bar 2-hook small	
 700-19470 700-19465 (US market only)	Infection Control spreader bar 2-hook	
 700-19415 700-19435 (US market only)	Spreader bar MS2 2-hook	 1 With vinyl cover  3 Without vinyl cover
 700-19430	Carry bar 4-hook	
 700-19475	DPS flat Manual	



700-19480

DPS manual open medium



700-19350

Spreader bar Powered DPS (PDPS) 4-point clip open medium Quick Connect
(Not compatible with WCS)



700-19355

Powered Large DPS
(Not compatible with WCS)



700-15695

Stretcher 272 kg (600 lb)



700-05382

Morgue spreader bar
(Standard bands included)

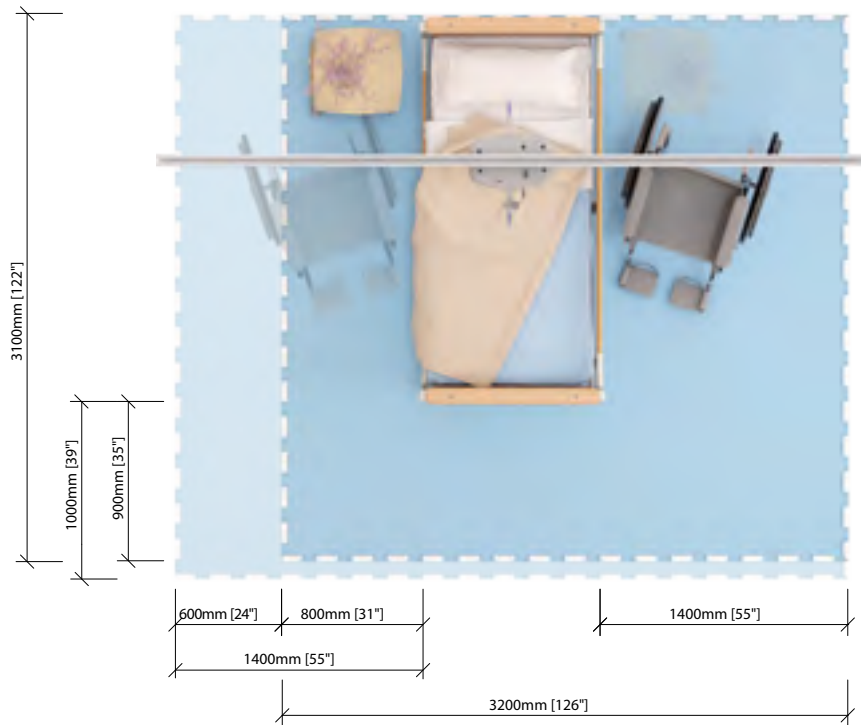


700-05387

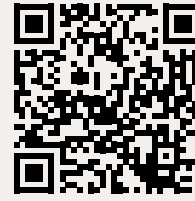
Morgue spreader bar
(Long bands included)



SPACE REQUIREMENTS



For more information about Space requirement, consult the Arjo Guide for Architects and Planners website.



- Blue area shows the minimum working area required for the staff to be able to use the floor lifter in an ergonomic way from one side.
- Light blue area shows required extension of working area to facilitate activities from either side to provide adequate access for the patient, floor lifter and assisting carer.

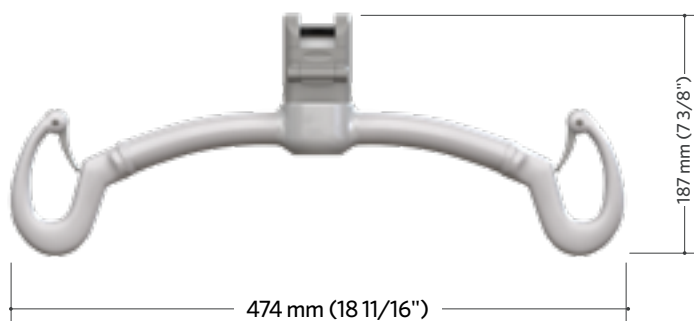
PRODUCT DIMENSIONS

Maxi Sky 2 & Maxi Sky 2 Infection Control



2-point spreader bar (Small)

700-19420



Weight: 2,5 kg (5,5 lb)

Infection Control 2-point spreader bar

700-19470

700-19465 (US market only)

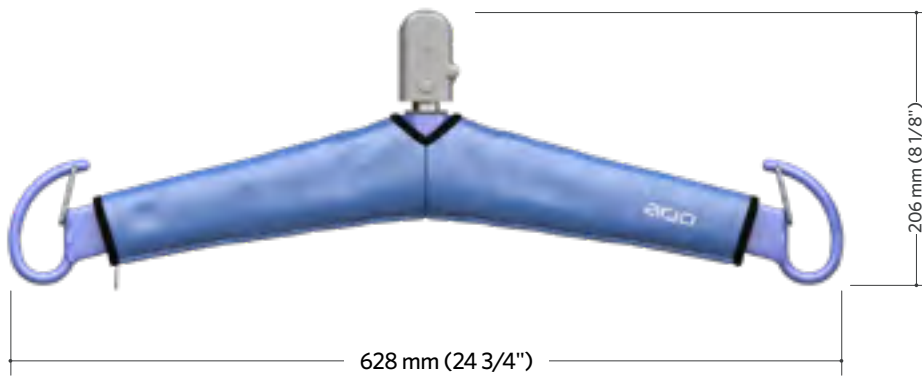


Weight: 1,5 kg (3,3 lb)

2-point spreader bar

700-19415

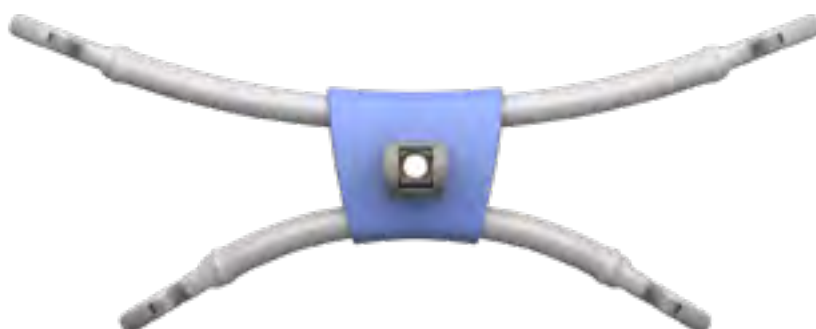
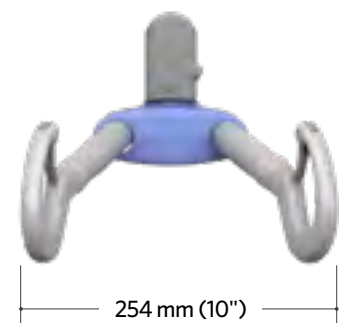
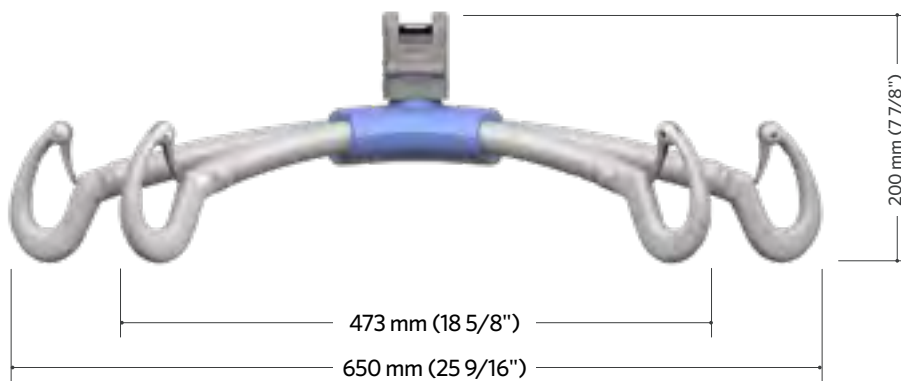
700-19435 (US market only)



Weight: 1,5 kg (3,3 lb)

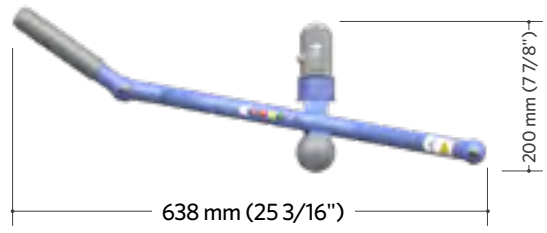
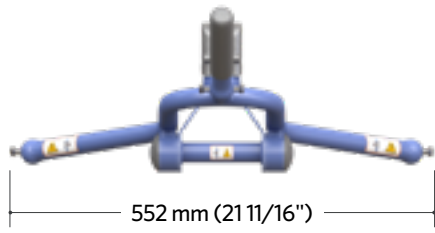
4-point spreader bar

700-19430



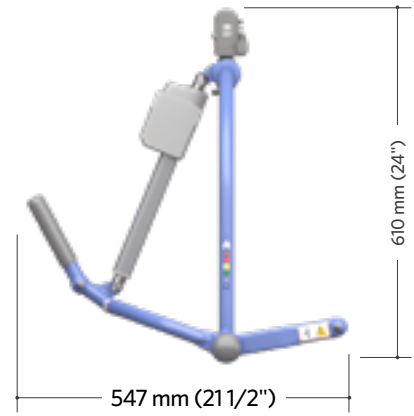
Weight: 4,4 kg (9,7 lb)

Flat DPS
700-19475



Weight: 3,4 kg (7,5 lb)

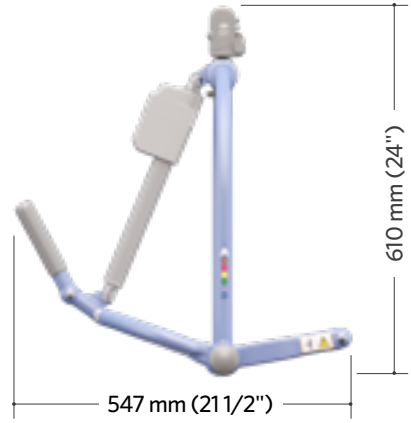
Powered DPS (Medium)
700-19350



Weight: 7,9 kg (17,4 lb)

Powered DPS (Large)

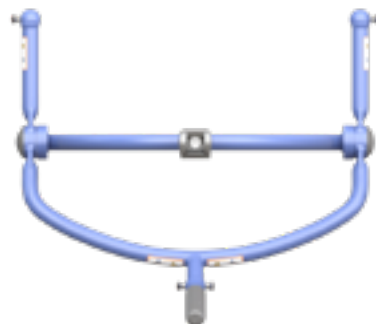
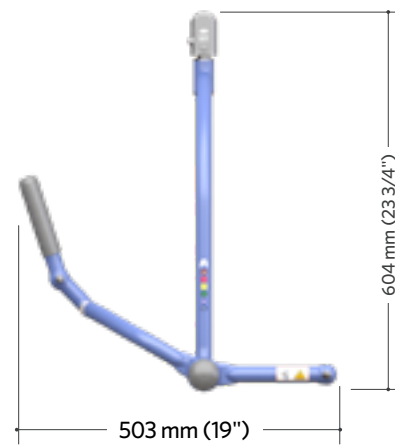
700-19355



Weight: 7,9 kg (17,4 lb)

DPS manual open (Medium)

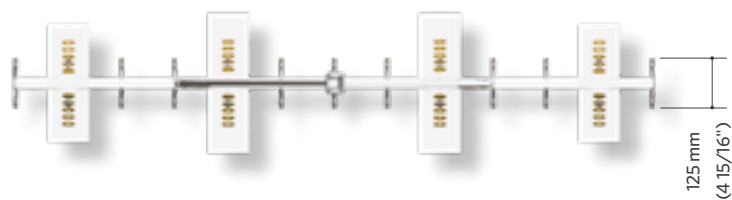
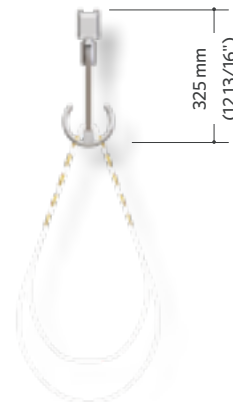
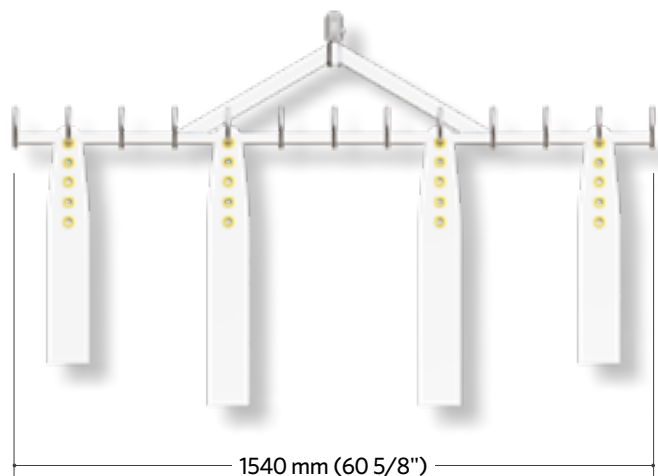
700-19480



Weight: 5,7 kg (12,5 lb)

Morgue stretcher bar

700.05382 & 700.05387



Dimension:

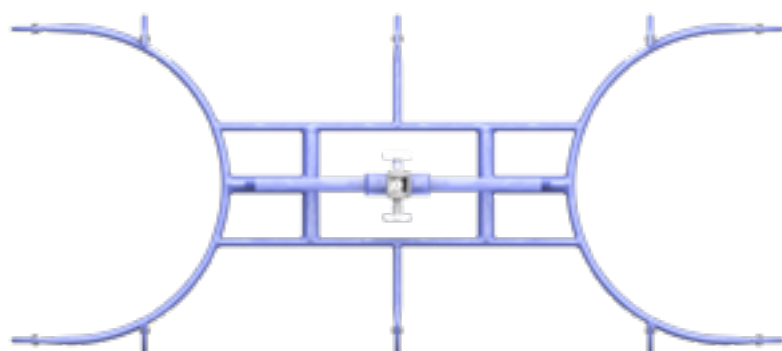
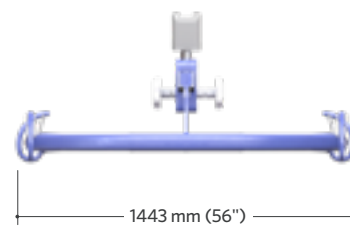
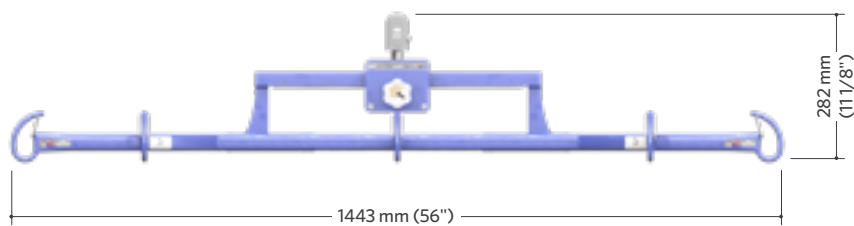
Standard bands kit (#700.05382):
2x 1194mm (47") & 2x 1448 (57")

Long bands kit (#700.05387):
2x 1194mm (47") & 2x 1829mm (72")

Weight (Stretcher frame only):
8,9 kg (19,5 lb)

Stretcher frame

700-15695



Weight: 10 kg (22,2 lb)

Scale unit
700-19485



Note: Class III scales shall be calibrated by a notified body prior to put into service.

Maxi Sky 2 IC with Transportable receiving module



Illustrated model: Maxi Sky 2

Page intentionally left blank



Maxi Sky 2 Basic

Part of Maxi Sky 2 Series

Arjo Mobility Gallery



C



D



E

C. Able to partially bear weight on at least one leg. Uses a wheelchair for moving a distance.
D. Unable to weight bear through feet. Is able to sit if well supported.
E. Difficulty maintaining sitting hence might remain lying/partially lying in bed

Visit the webpage



KEY FEATURES

Charging method

Dedicated charging station (C-Stat)

USB port access

Auxiliary buttons

Lowering and raising auxiliary buttons.

Control panel with LCD screen

Interactive screen displaying information such as total lifts, maintenance and malfunction indicator.

Optional Spreader bars with loop latches

Emergency stop

Spreader bar

IPX7 handset

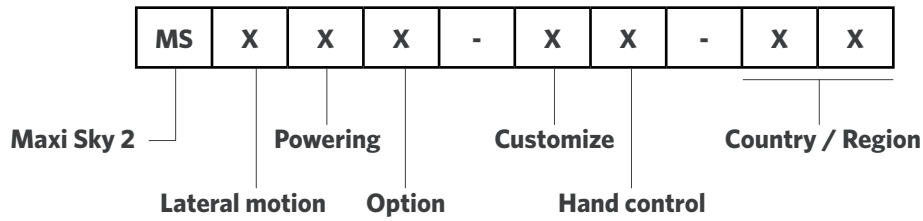


Maxi Sky 2 basic with Maxi Sky transportable C-Stat

PRODUCT INFORMATION

GENERAL	
Weight, complete (Four-function model)	12.3 kg (27 lb)
Weight, complete (Two-function model)	11.6 kg (26 lb)
Operating force of control	< 5 N
Lifting capacity	120 kg (265 lb), 200 kg (440 lb), 272 kg (600 lb)
Strap length	2500 mm (98.4")
Lifting speed	5.1 cm/sec (2.0") without load 4.2 cm/sec (1.7") at 120 kg (265 lb) 3.8 cm/sec (1.5") at 200 kg (440 lb) 3.3 cm/sec (1.3") at 272 kg (600 lb)
Maximum stroke (from ceiling)	2300 mm (90.6")
Adjustable horizontal displacement speeds	10, 15, 20 cm/sec. (4, 6, 8"/sec.). Preset at 20 cm/sec (8"/sec.)
ELECTRICAL	
Duty cycle	Up/Down Motor: Max 10%, 2 minutes continuously Left/Right Motor: Max 20%, 5 minutes continuously Sit/Reclined Motor: Max 10%, 2 minutes continuously
Charging method compatible	Contact station
Horizontal axis motor	24 VDC, 62 watts
Vertical axis motor	24 VDC, 360 watts for 2 minutes max.
Noise level for either raising or lowering	max. 61 dBA max. (with or without load)
Rating	24 VDC 15 A
Medical equipment	Type BF protection against electrical shock in accordance with IEC60601-1
Battery type	2X 12 V, 5 Ah, sealed rechargeable valve regulated lead acid battery
Battery capacity	Provides up to 120 transfers with a load of 100 kg (220 lb), up to 32 transfers with a load of 272 kg (600 lb), up to 70 transfers with a load of 200 kg (440 lb)
Battery Autonomy	Provides up to 120 transfers with a load of 100 kg (220 lb), up to 70 transfers with a load of 200 kg (440 lb), 32 transfers with a load of 272 kg (600 lb)
Battery Charger input	100-240 VAC 50-60 Hz
Battery Charger output	28.1 VDC 1 A max
Battery Charger safety protection	Class 2, double insulated 28.1 VDC 1 A max
Low battery indicator	Audible, visual LED and battery status on LCD screen
Charging indicators	Blinking green LED and battery scrolling symbol on screen
Degree of protection	IP24 (lift), IPX7 (Handcontrol)
Lift - protection class	Shock prevention Internally powered equipment
Electronic microprocessor	Soft-start and stop motor control
Maintenance required indicator	Visual LED, symbol and code on LCD screen
Noise level for either raising or lowering, with or without load.	61 dBA max.
ABS fire retardant	V0
SAFETY FEATURES	
Auxiliary up and down emergency buttons	Located on the motor cab
Emergency stopping device (pull cord) accessible from the ground	Stop all electric functions
Manual emergency lowering device	Located on the motor cab
Emergency brake	Triple centrifugal emergency brake system
Return to charge function	Weight sensor cut-out initiated by user (optional)
Compliant with:	ISO10535:2006, IEC60601-1:2005, ISO 10535, UL 60601, IEC 60601, CSA 10535, EN 45501, EUMDR, CE

PRODUCT NOMENCLATURE



LATERAL MOTION:	
0	2 function
1	4 function
2	2 function Up/down electrical motor brake
4	4 function Up/down electrical motor brake

POWERING:	
0	ECS, Enhanced Charging System (see note 1)
1	CSTAT, Charger Station
2	WCS, Wall Charging System (see note 4)
3	ECS for gate layouts

OPTION:	
0	None
1	Radius wheels (see note 2)
2	Narrow wheels (see note 3)
3	PCB with conformal coating
4	Without Quick connect
5	Infection control
6	Infection control +PCB with conformal coating

HAND CONTROL:	
0	No hand control
1	Regular
2	Regular with DPS control (see note 1)

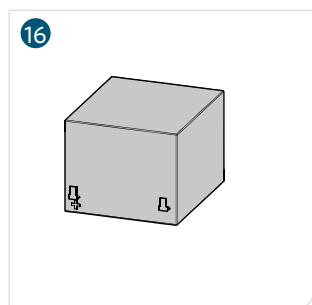
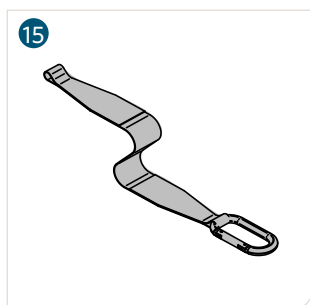
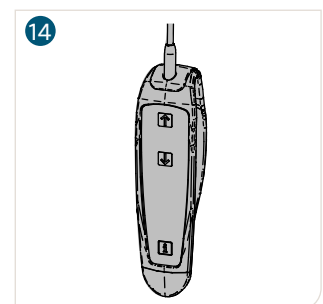
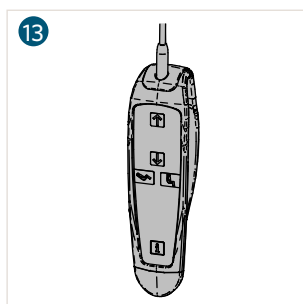
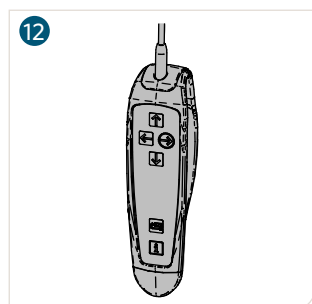
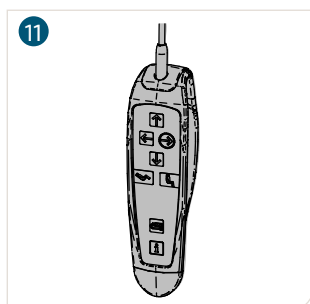
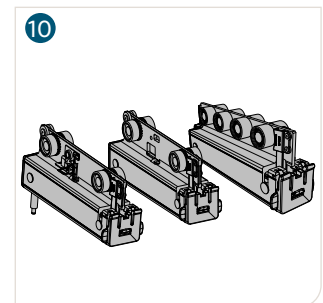
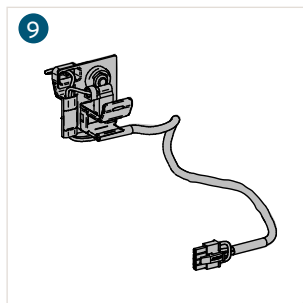
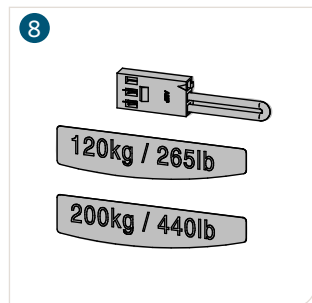
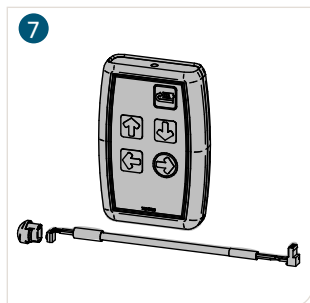
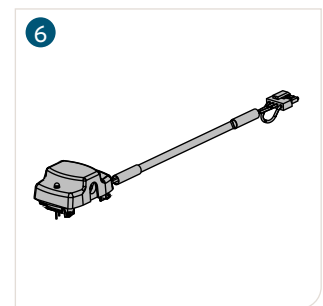
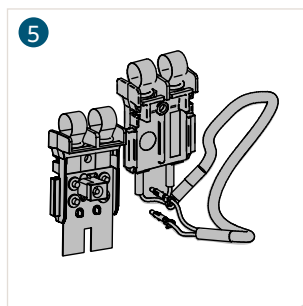
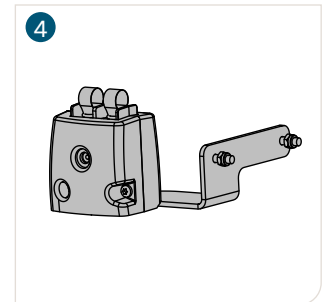
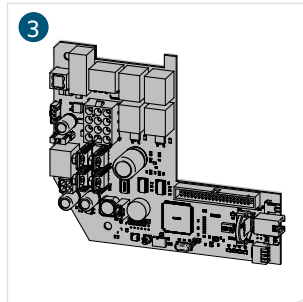
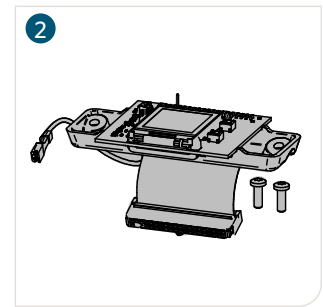
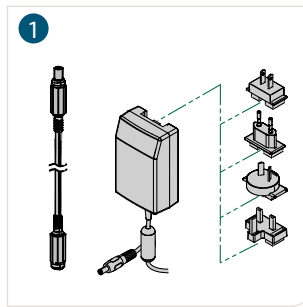
CUSTOMIZE:	
0	None
1	Maxi Sky 2 Plus
2	Extended trolley
A	Bravo
B	BHM old track
E	Bianca
G	GTM
L	Liko
M	Marka track
N	Innomedic
P	Paramedic
Q	Guldmann GH2
R	Guldmann GH3
S	Midi (see note 5)
T	THE (Single high)
V	Waverley Glen (Supertrack)
W	Waverley Glen (Regular track)

COUNTRY/REGION:									
00	Central W.H.	12	Poland	24	Slovakia	36	Greece	48	Algeria
01	U.S.A.	13	China	25	Austria	37	Hungary	49	Vietnam
02	Canada	14	Middle East	26	Hong Kong	38	Israël	50	Iran
03	Belgium	15	Portugal	27	Singapore	39	Lativa	51	Libya
04	Switzerland	16	Norway	28	Japan	40	Romania	52	Taiwan
05	Germany	17	Czech Republic	29	Korea	41	Saudi Arabia	53	Serbia
06	France	18	Denmark	30	India	42	Thailand	54	Seychelles
07	Netherlands	19	Lithuania	31	South Africa	43	Bosnia-Herzegovina	55	Middle America
08	United Kingdom	20	Russia	32	Nigeria	44	U.A.E	56	Croatia
09	Italy	21	Turkey	33	Brazil	45	Slovenia	98	Europe
10	Spain	22	Australia	34	Scandinavia	46	Bulgaria	99	International
11	Sweden	23	New Zealand	35	Finland	47	Ecuador	N/A	Europe + UK

General Note: Product and accessories availability may vary depending on your country/region.
 Note 1: These options are available only with customize Options "O" and "P".
 Note 2: These options are only available with customize Options "G", "V" and "W".
 Note 3: These options are only available with customize Option "T".
 Note 4: These options are only available with hand control "0" and "1".
 Note 5: These options are only available with lateral motion option "0".

COMMON PARTS

ARTICLE #	DESCRIPTION
1 700-15511	Universal charger for KWIKtral track
2 700-15720	LCD circuit kit (with prog)
2 700-15741	LCD circuit kit (with prog) + CC
3 700-15701	Main PCB kit - Regular
3 700-15692	Main PCB kit - Coated
4 700-31409	C-Stat conversion kit
5 700-15706	Contact blade kit
6 700-31405	ECS conversion kit
7 700-15724	Infra-red kit
8 700-15705	SWL kit
9 700-15707	ECS kit
10 700-31400-XX¹	C-Stat receiving module kit
10 700-31401-XX¹	ECS receiving module kit
10 700-31421-XX¹	Curtain gap receiving module kit
11 700-13841-B	Hand control for 4-Function Unit with DPS
12 700-13842-B	Hand control for 4-Function Unit
13 700-13861-B	Hand control for 2-Function Unit with DPS
14 700-13862-B	Hand control for 2-Function Unit
15 700-14030	1-Meter coated strap extension
16 403.10500	12V 5Ah batteries



¹ "XX" corresponds to the country code:
 01 = United States & Canada (US/CA)
 08 = United Kingdom (UK)
 22 = Australia (AU)
 98 = Europe (EU)

COMPATIBILITY WITH TRACKING SYSTEMS

KWIKTRAK LAYOUTS	MS2 BASIC	MS2 TRANSPORTABLE
Suspended tracks	●	●
Embedded tracks		
Wall to wall	●	●
X-Y system	●	●
Turntable (automatic)	●	●
Turntable (manual)	●	●
Exchanger	●	●
Gate	●	●

KWIKTRAK LAYOUTS	MS2 BASIC	MS2 TRANSPORTABLE
Curtain gap	● ¹	● ¹
Curve (standard)	●	●
Curve (large)	●	●
MS 2 transportable	● ²	N/A
Easytrack		
Easytrack FS	● ³	
Semi-permanent	●	

¹ With special trolley

² C-Stat version only

³ Easytrack FS, rep version only

MAXI SKY 2 TRANSPORTABLE

The ceiling lift relocation accessory allows Maxi Sky 2 ceiling lift to be easily removed from its current location and transported to another room that is also equipped with a receiving module.

ARTICLE #	DESCRIPTION
1 700-31409	C-Stat conversion kit
2 700-31400-XX'	C-Stat receiving module kit
3 700-31421-XX'	Curtain gap receiving module kit



Maxi Sky 2 Transportable compatibility KWIKtrak accessories

KWIKTRAK LAYOUTS	COMPATIBILITY
Suspended tracks	●
Embedded tracks	● ¹
Wall to wall	●
X-Y system	● ³
Turntable (automatic)	● ²
Turntable (manual)	● ²
Exchanger	● ²

¹ ECS receiving module only

² Vary, depending on model and X-Y configuration

³ C-Stat receiving module only

KWIKTRAK LAYOUTS	COMPATIBILITY
Gate	● ³
Curtain gap	● ²
Curve (standard)	●
Curve (large)	●
Easytrack	●
Easytrack FS	●
Semi-permanent	●

We recommend the Maxi Cart 2, which is suitable for Maxi Sky 2 and Maxi Sky 2 transportable. For more information on this accessory, please refer to the the Accessories chapter of this document.

















SCALES

ARTICLE #	DESCRIPTION
1 700-00511	Scale Unit/ 272 kg (600 lb)
2 700-00531	Scale Unit/ 272 kg (600 lb) Class III ¹

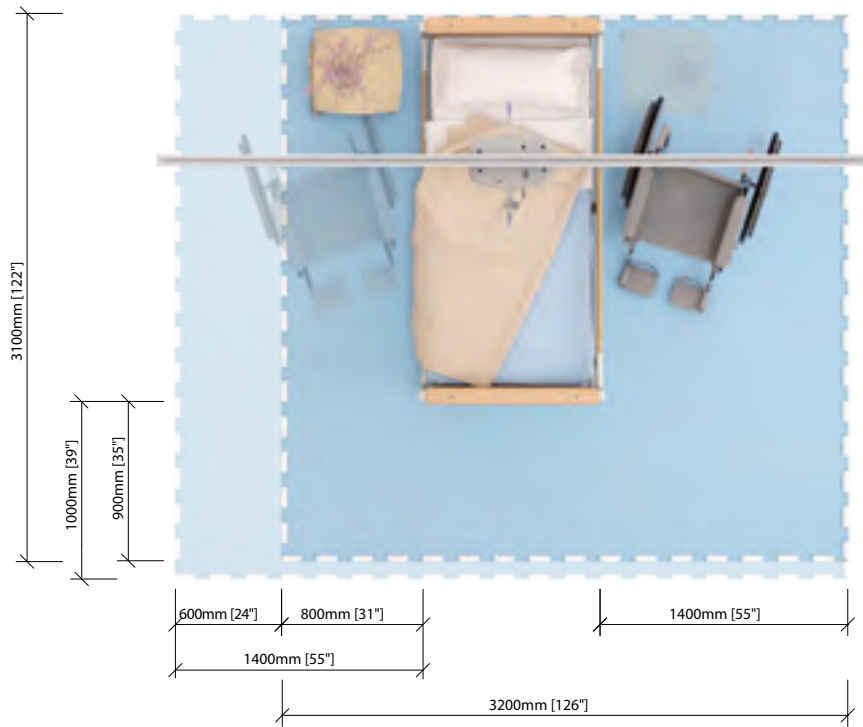
¹ Class III scales shall be calibrated by a notified body, prior to put into service.



COMPATIBLE SPREADER BARS

	ARTICLE #	DESCRIPTION	DISINFECTION AGENTS
	700-05461	Spreader bar 2-hook Medium	
	700-05443	Carry Bar 4-hook 272 kg (600 lb)	
	700-19340-BOX	DPS Manual Open Ceiling	
	700-19200	DPS Flat Manual	
	700-19522	Stretcher 272 kg (600 lb)	
	700.05380	Morgue spreader bar (standard bands included)	
	700.05385	Morgue spreader bar (long bands included)	

SPACE REQUIREMENTS



For more information about Space requirement, consult the Arjo Guide for Architects and Planners website.



- Blue area shows the minimum working area required for the staff to be able to use the floor lifter in an ergonomic way from one side.
- Light blue area shows required extension of working area to facilitate activities from either side to provide adequate access for the patient, floor lifter and assisting carer.

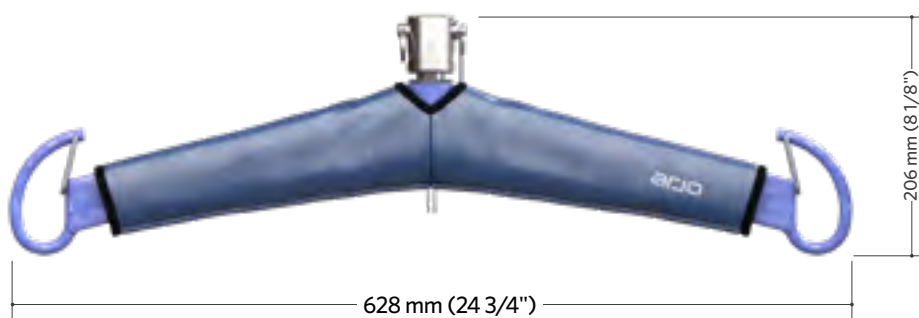
PRODUCT DIMENSIONS

Maxi Sky 2 Basic



2-hook spreader bar for Maxi Sky 2 Basic

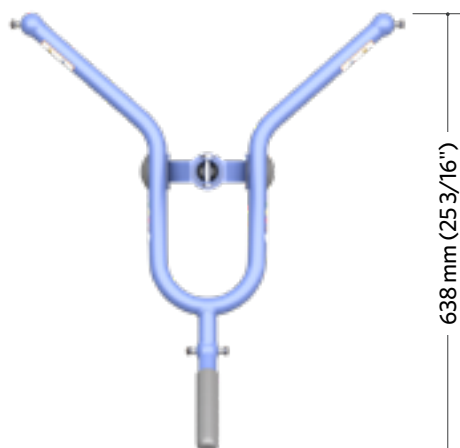
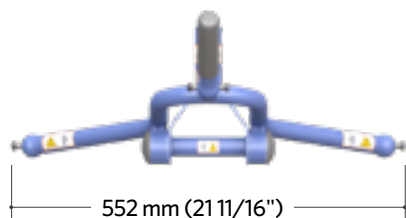
700-05461



Weight: 1,5 kg (3,3 lb)

DPS Flat Manual

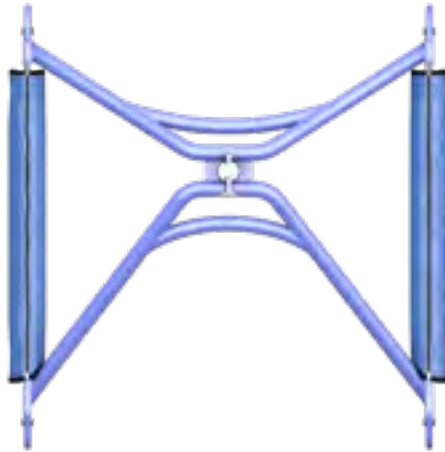
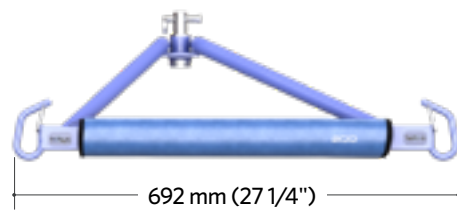
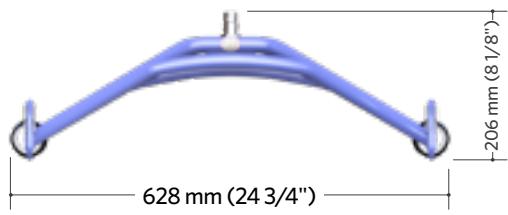
700-19200



Weight: 8,4 kg (18,5 lb)

Carry Bar 4-hook 272 kg (600 lb)

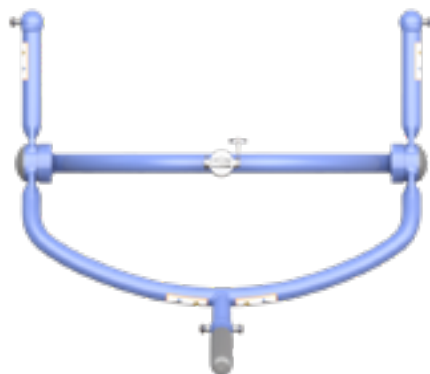
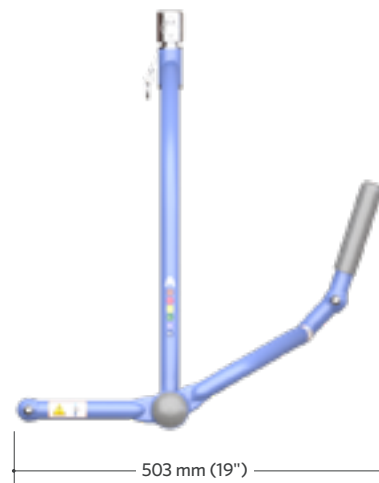
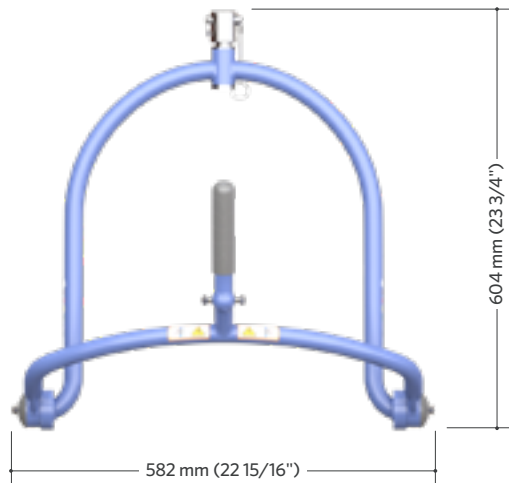
700-05443



Weight: 6 kg (13 lb)

DPS Manual Open Ceiling

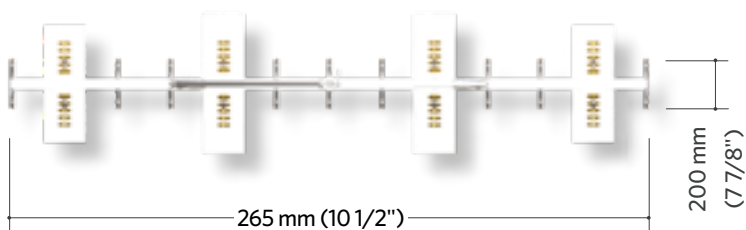
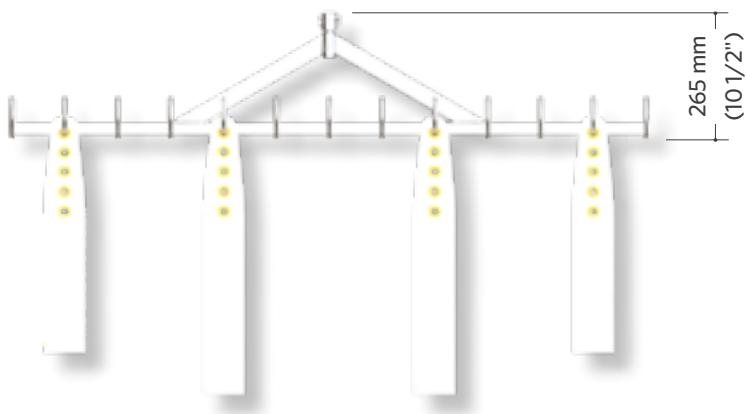
700-19340-BOX



Weight: 5,7 kg (12,5 lb)

Morgue spreader bar

700-05380 & 700-05385



Dimension:

Standard bands kit (#700-05380):
2x 1194mm (47") & 2x 1448 (57")

Long bands kit (#700-05385):
2x 1194mm (47") & 2x 1829mm (72")

Weight (Stretcher frame only):
8,9 kg (19,5 lb)

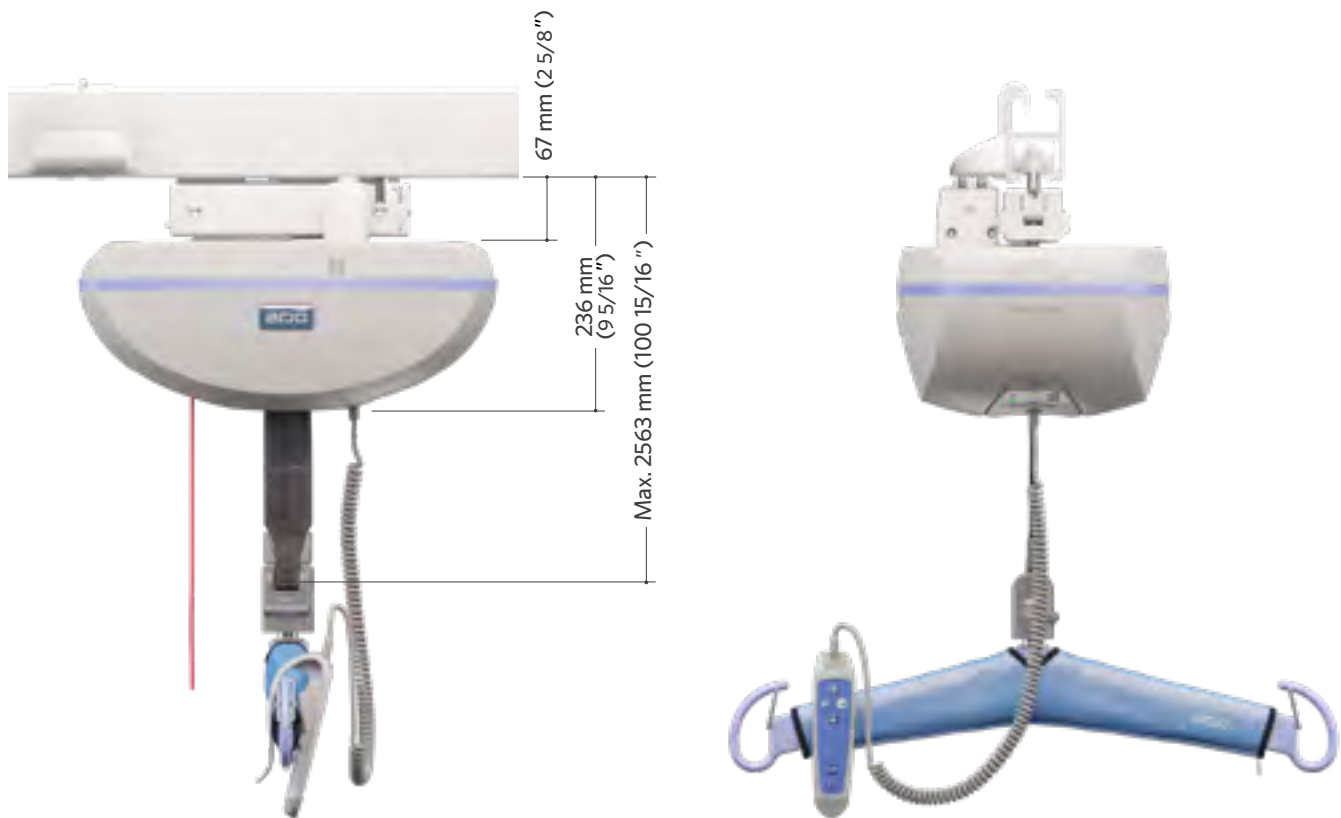
Scale unit

700-00511 & 700-00531 (Class III)



Note: Class III scales shall be calibrated by a notified body prior to put into service.

Maxi Sky 2 Basic with Transportable receiving module



Illustrated model: Maxi Sky 2

Note: The C-Stat Transportable receiving module is compatible with Maxi Sky 2 Basic

Page intentionally left blank



Maxi Sky 2 Plus Series

Page intentionally left blank



Maxi Sky 2 Plus Infection Control & Maxi Sky 2 Plus

The complete bariatric ceiling lift system

Arjo Mobility Gallery FOR BARIATRIC CARE



C

C. Able to partially bear weight on at least one leg. Uses a wheelchair for moving a distance.



D

D. Unable to weight bear through feet. Is able to sit if well supported.



E

E. Difficulty maintaining sitting hence might remain lying/partially lying in bed

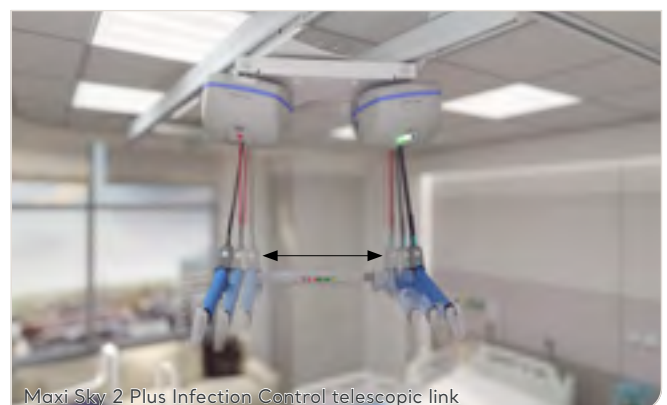
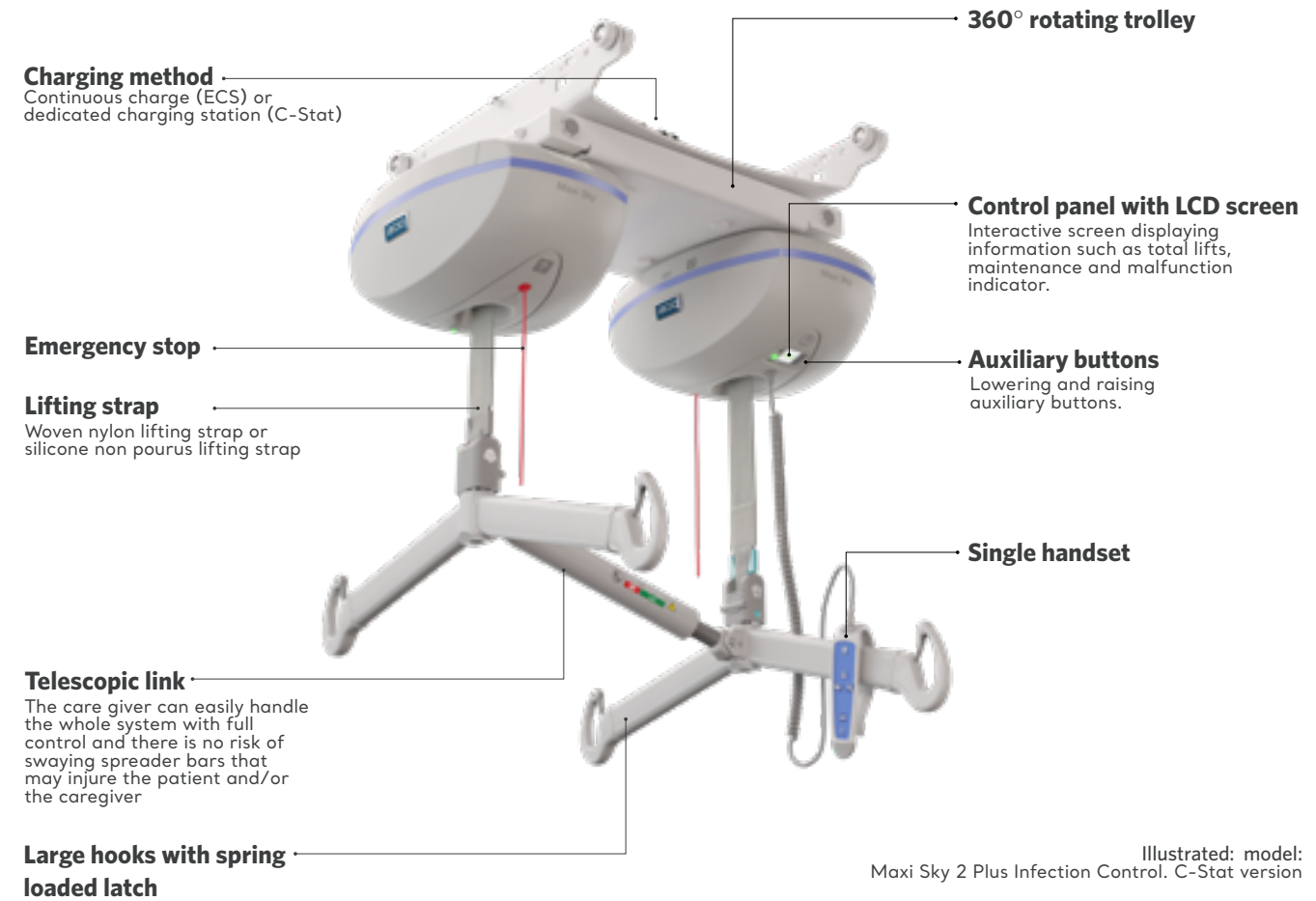
 View in AR



Visit the webpage



KEY FEATURES





Maxi Sky 2 Plus trolley, C-Stat version



Maxi Sky 2 Plus Spreader bar link



Maxi Sky 2 Plus control panel and its color LCD screen



Maxi Sky 2 Plus C-Stat version on a straight track

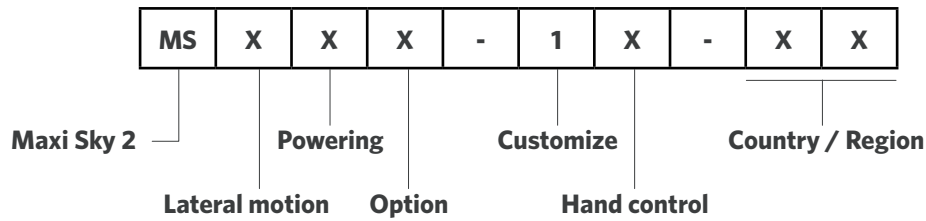


Maxi Sky 2 Infection Control strap

PRODUCT INFORMATION

GENERAL	
Weight, complete (incl. trolley and two ceiling lifts)	51.6 kg (113.5 lb)
Weight, spreader bar	6.6 kg (14.5 lb)
Lifting capacity	Dual Mode: 454 kg (1000 lb), Single Mode: 272 kg (600 lb)
Strap length	2500 mm (98.4 in)
Lifting speed (Dual mode)	4.3 cm/s (1.7 in/s) without load 3.5 cm/s (1.3 in/s) at 240 kg (528 lb) 3.0 cm/s (1.2 in/s) at 400 kg (880 lb) 2.8 cm/s (1.1 in/s) at 454 kg (1000 lb)
Maximum stroke (from ceiling)	2300 mm (90.6 in)
Horizontal displacement speeds	N/A, manually operated
Operating force of control	< 5 N
Push and pull forces at 454 kb (1000 lb) Horizontal Movement and Rotation	< 6 N
ELECTRICAL	
Duty cycle	Up/Down Motor: Max 10%, 1 minute continuously Sit/Reclined Motor (single mode): Max. 10%, 2 minutes continuously
Horizontal axis motor	N/A
Vertical axis mode	24 VDC, 62 watts
Rating	24 VDC, 15 A max.
Noise level for either raising or lowering, with or without load	58.2 dBA with no load, 65.3 dBA at 454 kg (1000 lb)
Medical equipment	Type BF protection against electrical shock in accordance with IEC 60601-1
Battery type	12 V, 5 Ah, sealed rechargeable valve regulated lead acid battery
Battery capacity	Provides up to 120 transfers with a load of 200 kg (440 lb), up to 70 transfers with a load of 400 kg (880 lb)
Degree of protection - Hand control	IPX7
Degree of protection - Maxy Sky 2 ceiling lift	IP24
Lift - Protection class - Shock prevention	Internally powered equipment
Battery charger input	100-240 VAC, 50-60 Hz, 57 - 70 VA
Battery charger output	28.1 VDC, 1 A max, 28.1 VA
Battery charger safety protection	Class 2, double insulated
OPERATION, TRANSPORT AND STORAGE CONDITIONS	
Normal Operation	Ambient temperature range: 5°C to 40°C (41°F to 104°F) Relative humidity range: 0% to 93% Atmospheric pressure range: 700 hPa to 1060 hPa
Transport/Storage	Ambient temperature range: -40°C to 70°C (-40°F to 158°F) Relative humidity range: 0% to 100% Atmospheric pressure range: 500 hPa to 1060 hPa

PRODUCT NOMENCLATURE



LATERAL MOTION:	
0	2 function
1	4 function
2	2 function Up/down electrical motor brake
4	4 function Up/down electrical motor brake

POWERING:	
0	ECS, Enhanced Charging System (see note 1)
1	CSTAT, Charger Station
2	WCS, Wall Charging System (see note 4)
3	ECS for gate layouts

OPTION:	
0	None
1	Radius wheels (see note 2)
2	Narrow wheels (see note 3)
3	PCB with conformal coating
4	Without Quick connect
5	Infection control
6	Infection control +PCB with conformal coating

HAND CONTROL:	
0	No hand control
1	Regular
2	Regular with DPS control (see note 1)

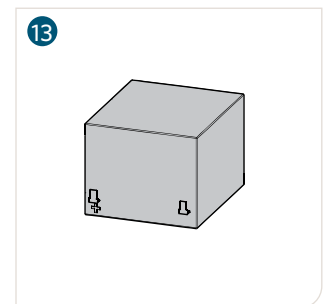
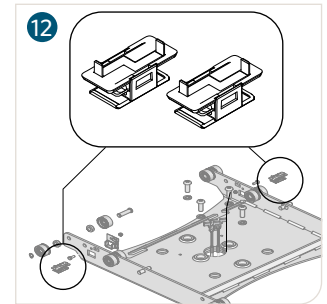
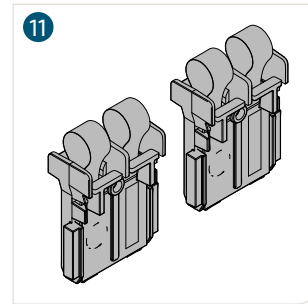
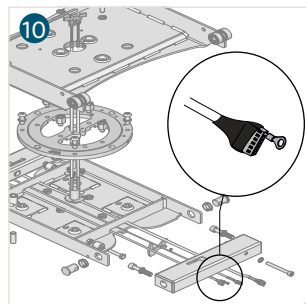
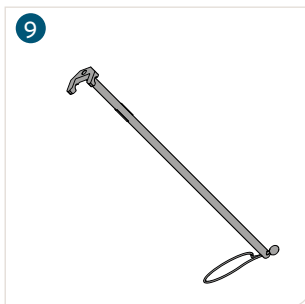
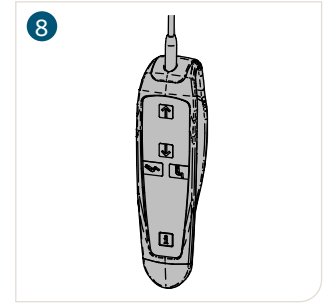
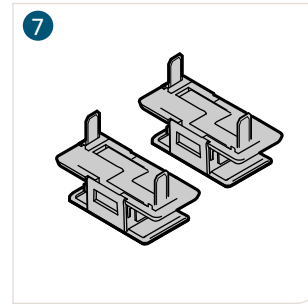
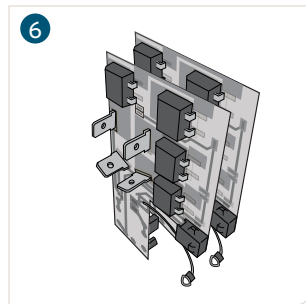
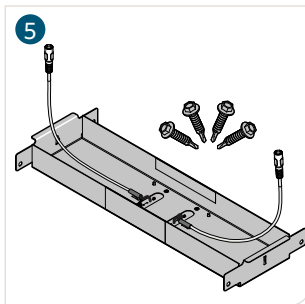
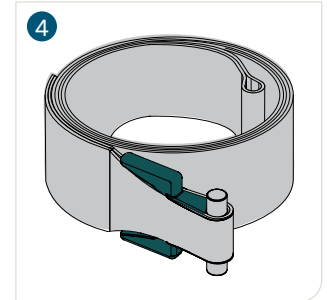
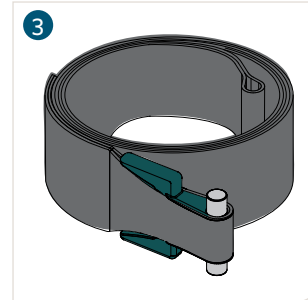
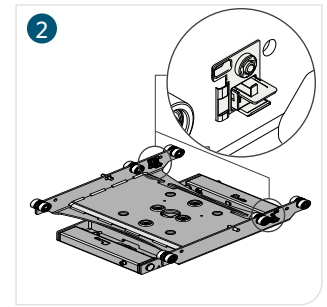
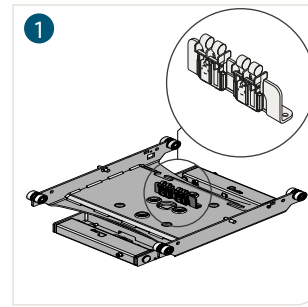
CUSTOMIZE:	
0	None
1	Maxi Sky 2 Plus
2	Extended trolley
A	Bravo
B	BHM old track
E	Bianca
G	GTM
L	Liko
M	Marka track
N	Innomedic
P	Paramedic
Q	Guldmann GH2
R	Guldmann GH3
S	Midi (see note 5)
T	THE (Single high)
V	Waverley Glen (Supertrack)
W	Waverley Glen (Regular track)

COUNTRY/REGION:									
00	Central W.H.	12	Poland	24	Slovakia	36	Greece	48	Algeria
01	U.S.A.	13	China	25	Austria	37	Hungary	49	Vietnam
02	Canada	14	Middle East	26	Hong Kong	38	Israël	50	Iran
03	Belgium	15	Portugal	27	Singapore	39	Lativa	51	Libya
04	Switzerland	16	Norway	28	Japan	40	Romania	52	Taiwan
05	Germany	17	Czech Republic	29	Korea	41	Saudi Arabia	53	Serbia
06	France	18	Denmark	30	India	42	Thailand	54	Seychelles
07	Netherlands	19	Lithuania	31	South Africa	43	Bosnia-Herzegovina	55	Middle America
08	United Kingdom	20	Russia	32	Nigeria	44	U.A.E	56	Croatia
09	Italy	21	Turkey	33	Brazil	45	Slovania	98	Europe
10	Spain	22	Australia	34	Scandinavia	46	Bulgaria	99	International
11	Sweden	23	New Zealand	35	Finland	47	Ecuador	N/A	Europe + UK

General Note: Product and accessories availability may vary depending on your country/region.
 Note 1: These options are available only with customize Options "0" and "P".
 Note 2: These options are only available with customize Options "G", "V" and "W".
 Note 3: These options are only available with customize Option "T".
 Note 4: These options are only available with hand control "0" and "1".
 Note 5: These options are only available with lateral motion option "0".

COMMON PARTS

ARTICLE #	DESCRIPTION
1 700-31201	Trolley C-Stat Maxi Sky 2 Plus
2 700-31241	Trolley ECS Maxi Sky 2 Plus
3 700-31281	Strap kit with green interface
4 700-31295	Strap kit with green interface infection control
5 700-31298	Charging station
6 700-32004	Emergency stop board kit (comes in pairs)
7 700-07650	ECS contact box assembly (comes in pairs)
8 700-13861-B	2-Function DPS hand control
9 700-31299	Strap puller
10 402-31227	Serial communication cable
11 700-31288	Contact blade kit MS2 Plus (comes in pairs)
12 700-07650	ECS contact box assembly (comes in pairs)
13 403.10500	12V 5Ah batterie

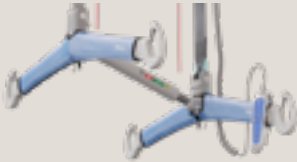



COMPATIBILITY WITH TRACKING SYSTEMS

KWIKTRAK LAYOUTS	COMPATIBILITY
Suspended tracks	•
Embedded tracks	•
Wall to wall	
X-Y system	•
Turntable (automatic)	
Turntable (manual)	
Exchanger	
Gate	•


KWIKTRAK LAYOUTS	COMPATIBILITY
Curtain gap	•
Curve (standard)	
Curve (large)	
MS2 Transportable	
Easytrack	
Easytrack FS	
Semi-permanent	

COMPATIBLE SPREADER BARS


	ARTICLE #	DESCRIPTION
	700-31240	Dual Mode Spreader bar Maxi Sky 2 Plus

	700-31252	Dual Mode Spreader bar Maxi Sky 2 Plus Infection Control
--	------------------	--

For the list of compatible slings with the Maxi Sky 2 Plus Series in Single Mode, please refer to the Maxi Sky 2 Series section.



For more information about slings, please refer to the Technical Reference Guide & Parts Overview - Slings Lateral Transfers & Repositioning.



#01.LG.11.1.GB-INT.1.Arjo

SCALES

ARTICLE #	DESCRIPTION
1 700-19485	Scale Unit/ 272 kg (600 lb) Quick Connect

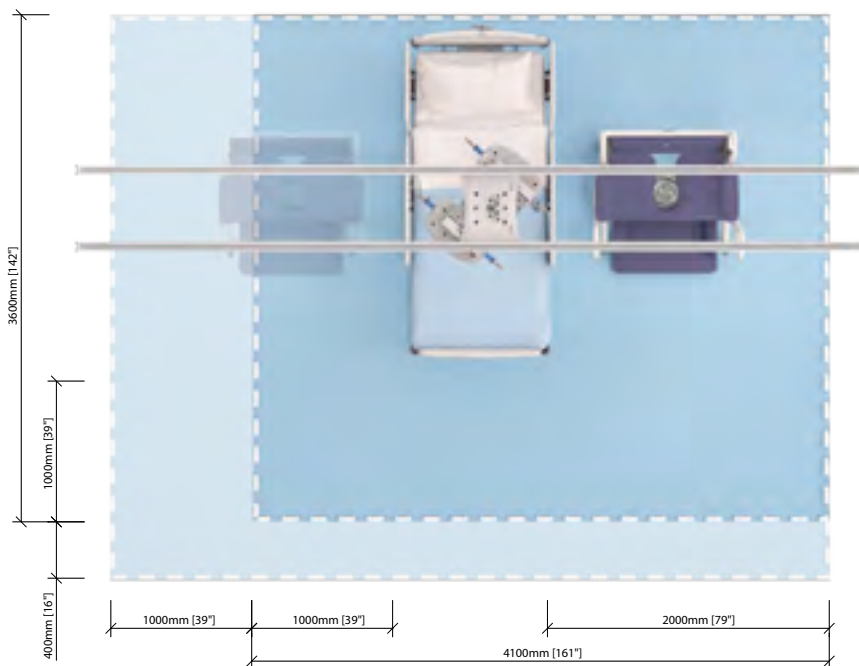
2 700-19490	Scale Unit/ 272 kg (600 lb) Class III ¹ Quick Connect
--------------------	--

¹ Class III scales shall be calibrated by a notified body, prior to put into service.



Note: Weighing a patient with an Maxi Sky 2 Plus in dual mode requires two identical scales. The class III precision is not achievable in this case. In Single mode, the weighing method and precision are the same as for a Maxi Sky 2, and requires only one scale.

SPACE REQUIREMENTS

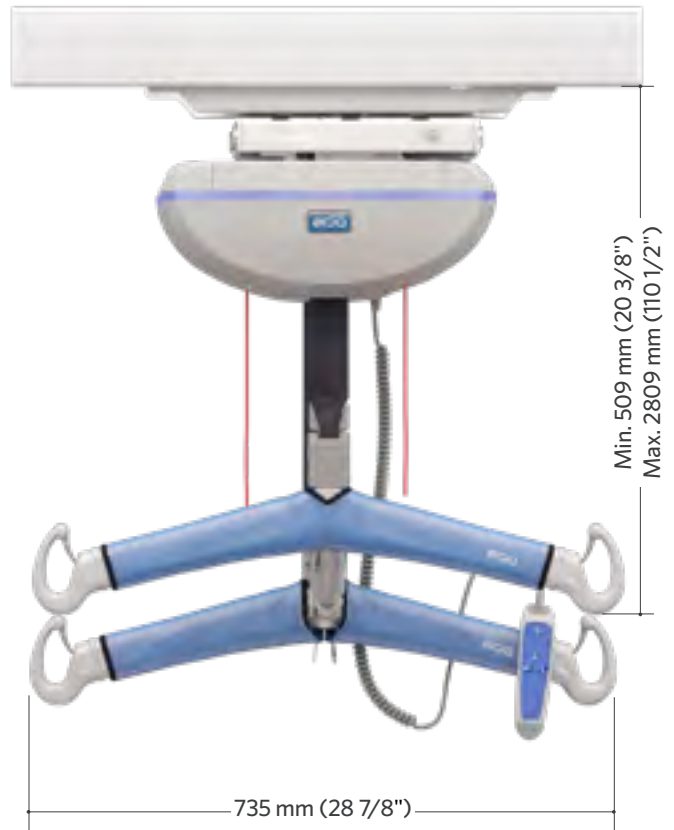
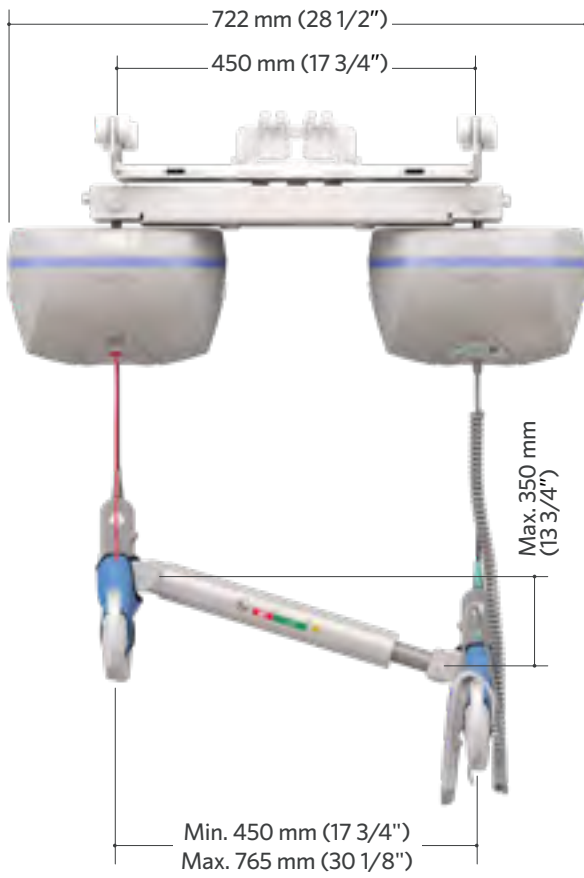


For more information about Space requirement, consult the Arjo Guide for Architects and Planners website.

- Blue area shows the minimum working area required for the staff to be able to use the floor lifter in an ergonomic way from one side.
- Light blue area shows required extension of working area to facilitate activities from either side to provide adequate access for the patient, floor lifter and assisting carer.

PRODUCT DIMENSION

Maxi Sky 2 Plus



Page intentionally left blank



Maxi Sky 1000

The single unit bariatric ceiling lift system

Arjo Mobility Gallery FOR BARIATRIC CARE



C

C. Able to partially bear weight on at least one leg. Uses a wheelchair for moving a distance.




D

D. Unable to weight bear through feet. Is able to sit if well supported.



E

E. Difficulty maintaining sitting hence might remain lying/partially lying in bed

 View in AR



Visit the webpage



KEY FEATURES

Charging method

Continuous charge (ECS) or dedicated charging system (C-Stat)

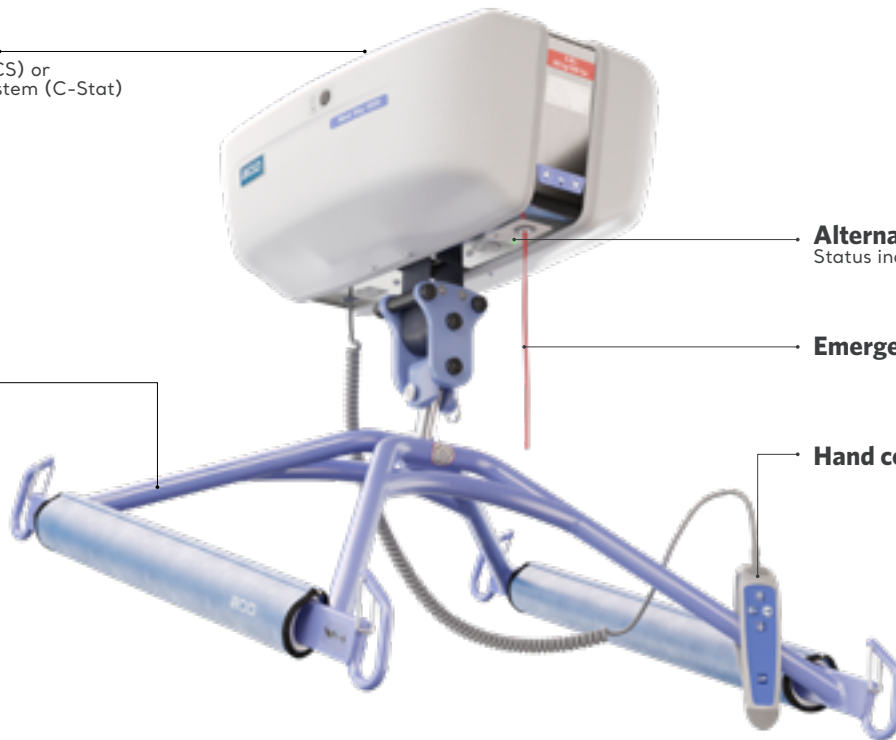
Spreader bar

Optional 4-hook or 2-hook spreader bars

Alternate control
Status indicator

Emergency stop

Hand control

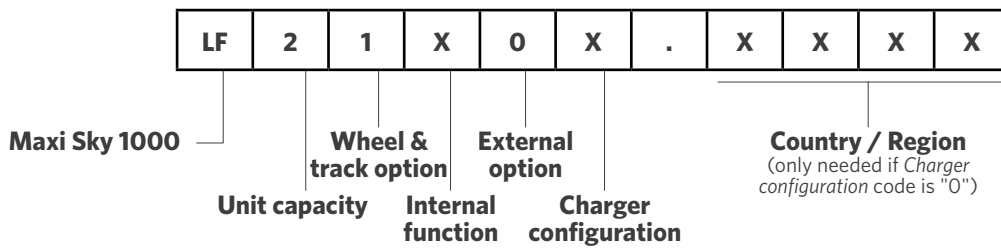


Close-up of the control panel and emergency stop cord

PRODUCT INFORMATION

GENERAL	
Lifting capacity	454 kg (1000 lb)
Weight, complete	22 kg (48 lb)
Lifting speed	6.0 cm/s (2.4 in/s) without load 3.5 cm/s (1.4 in/s) at 230 kg (500 lb) 2.7 cm/s (1.2 in/s) at 454 kg (1000 lb)
Adjustable horizontal displacement speeds	10, 13, 15 and 20 cm/s. Speed is 15 cm/s (6 in/s) by default
Electronic microprocessor	Soft-start and stop motor control
Maintenance required indicator	Visual LED
Lift - protection class - shock prevention	Internally powered equipment
Strap length	2300 mm (90.6 in)
Noise level for either raising or lowering, with or without load.	61 dBA max.
BATTERIES	
Battery	(2X) 12 V, 7 Ah
Battery capacity	Provides up to 80 transfers with a load of 230 kg (500 lb), up to 25 transfers with a load of 454 kg (1000 lb).
Low battery indicator	The yellow light "charger" flashes while charging and illuminates when charge is finished.
Charging indicators	The green light "on" illuminates once the lift is on and ready for use; the green light flashes when the batteries are low.
HAND CONTROL	
Low force activation buttons, polyester membrane	IPX7
ABS fire retardant	V0
CHARGER UNIT	
Power indicator on charging module	
100-240 Vac/50-60 Hz/24 VA	
Battery Charger safety protection	Class 2, insulated
Clip on charger anywhere on the track	
SAFETY FEATURES	
Electrical up and down emergency buttons	Located on the motor cab
Emergency stopping device (pull cord) accessible from the ground	Stop all electric functions
Manual emergency lowering device	Accessible from the motor cab
Lights	The red light illuminates to confirm that the lift is in the programming service mode. The red light illuminates in the normal mode when the lift is under overheat protection caused by an overuse. The red light flashes when servicing is required (contact customer service).
Emergency brake	Triple centrifugal emergency brake system
Return to charge function	Weight sensor cut-out initiated by user (optional)
Compliant with	ISO10535:2006, IEC60601-1:2005

PRODUCT NOMENCLATURE



UNIT CAPACITY:	
0	N/A
1	N/A
2	454 kg (1000 lb)

WHEEL & TRACK OPTION	
0	Fixed trolley for KWIKtrak
1	Swivel trolley

INTERNAL FUNCTION:	
0	4-Function C-Stat
1	N/A
2	N/A
3	N/A
4	4-Function ECS

EXTERNAL OPTION:	
0	No spreader bar

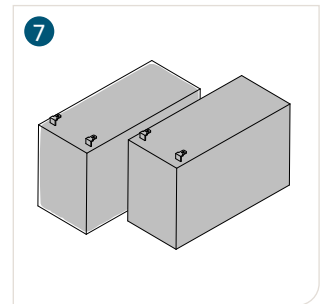
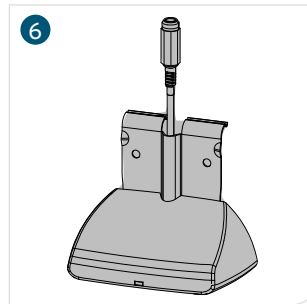
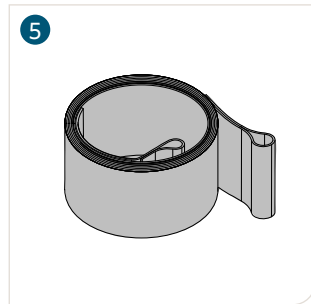
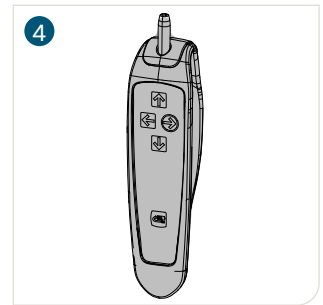
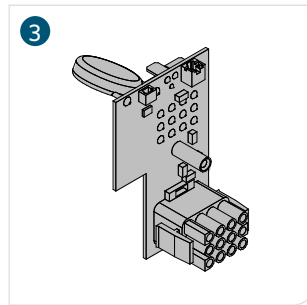
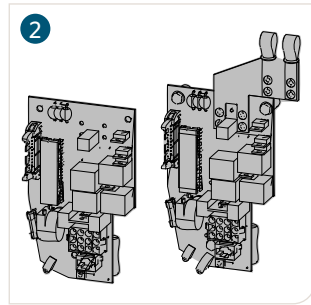
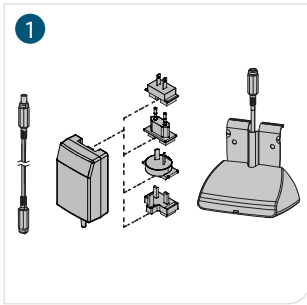
CHARGER CONFIGURATION:	
0	See model country suffix
9	UL primary adapter (Country / Region code not needed)

COUNTRY/REGION:	
empty	United State of America
empty	Canada
AU	Australia
EUUK	Austria
EUUK	Belgium
CN	China
DK	Denmark
EUUK	France
EUUK	Germany
HK	Hong Kong
EUUK	India
EUUK	Italy
EUUK	Netherlands
AU	New Zealand
EUUK	Nigeria
PT	Portugal
EUUK	Singapore
EUUK	South africa
SE	Sweden
EUUK	Switzerland
EUUK	United kingdom

General Note: Product and accessories availability may vary depending on your country/region.
 Note 1: These options are available only with customize Options 0.
 Note 2: This option is available only with customize Options G and W.
 Note 3: This option is available only with customize Option T
 Note 4: Refer to the Competitor and legacy tracks availability and codification table for available combinations

COMMON PARTS

ARTICLE #	DESCRIPTION
1 700-15511	KWIKtrak charger kit - Int (2.5 DC)
2 700-14720	Maxi Sky 1000 PCB replacement kit
3 700-01106	MS1000 brake board kit
4 700-13845	6-button hand control
5 362-14020	Strap
6 700-15522-0	Kwiktrak charge station (2.5 DC)
7 E0150	Battery 12V. 7.2 Ah









COMPATIBILITY WITH TRACKING SYSTEMS

KWIKTRAK LAYOUTS	COMPATIBILITY
Suspended tracks	•
Embedded tracks	•
Wall to wall	
X-Y system	•
Turntable (automatic)	
Turntable (manual)	
Exchanger	
Gate	

KWIKTRAK LAYOUTS	COMPATIBILITY
Curtain gap	
Curve (standard)	
Curve (large)	•
MS2 Transportable	
Easytrack	
Easytrack FS	
Semi-permanent	•

COMPATIBLE SPREADER BARS

	ARTICLE #	DESCRIPTION	DISINFECTION AGENTS
	700-05401-BOX	Carry bar 2-Hook 454 kg (1000 lb)	
	700-05441	Carry Bar 4-Hook 454 kg (1000 lb)	
	700.05389	Morgue Stretcher & Bands Kit 454 kg (1000 lb)	

For more information about slings, please refer to the *Technical Reference Guide & Parts Overview - Slings Lateral Transfers & Repositioning*. #01.LG.11.1.GB-INT.1.Arjo



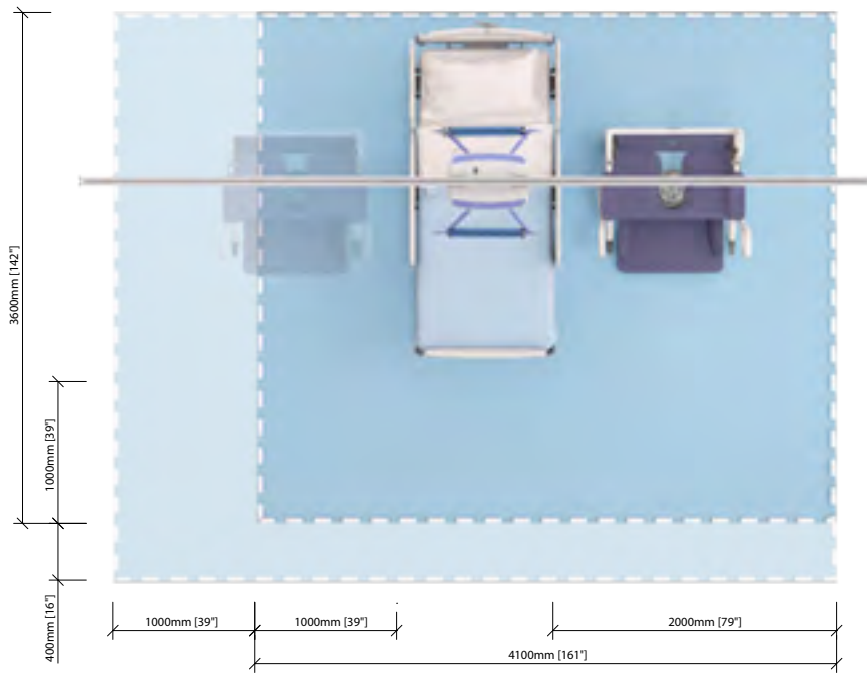
SCALES

	ARTICLE #	DESCRIPTION
1	700-00526	Scale Unit/ 454 kg (1000 lb)
2	700-00536	Scale Unit/ 454 kg (1000 lb) Class III ¹

¹ Class III scales shall be calibrated by a notified body, prior to put into service.



SPACE REQUIREMENTS



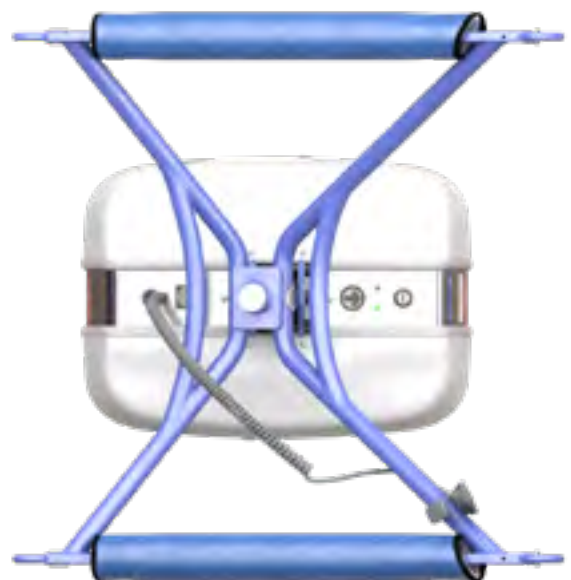
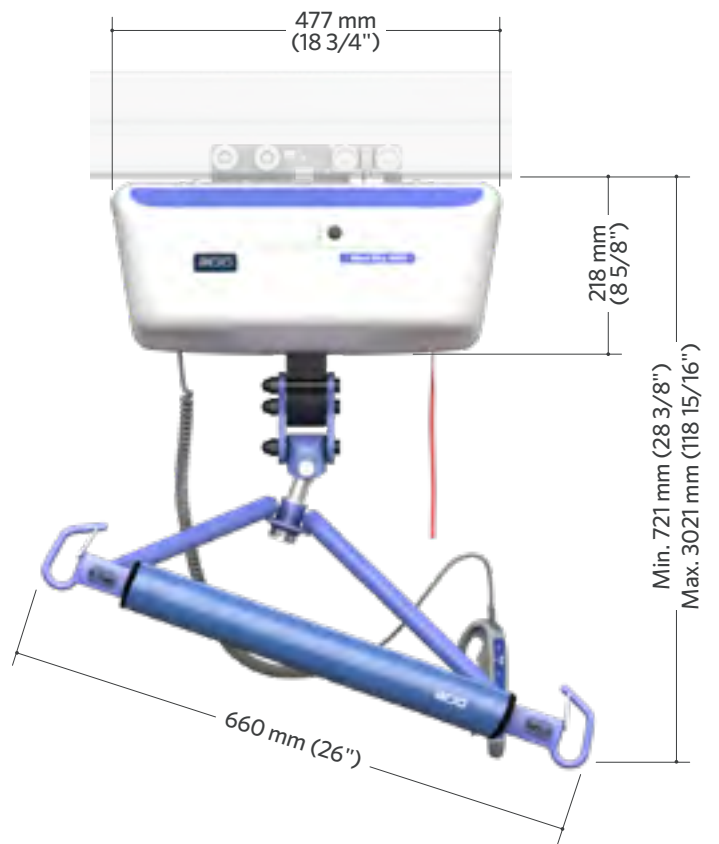
For more information about Space requirement, consult the Arjo Guide for Architects and Planners website.



- Blue area shows the minimum working area required for the staff to be able to use the floor lifter in an ergonomic way from one side.
- Light blue area shows required extension of working area to facilitate activities from either side to provide adequate access for the patient, floor lifter and assisting carer.

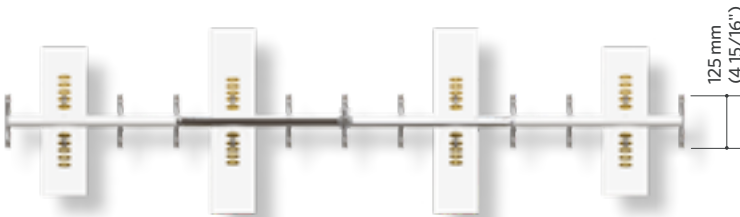
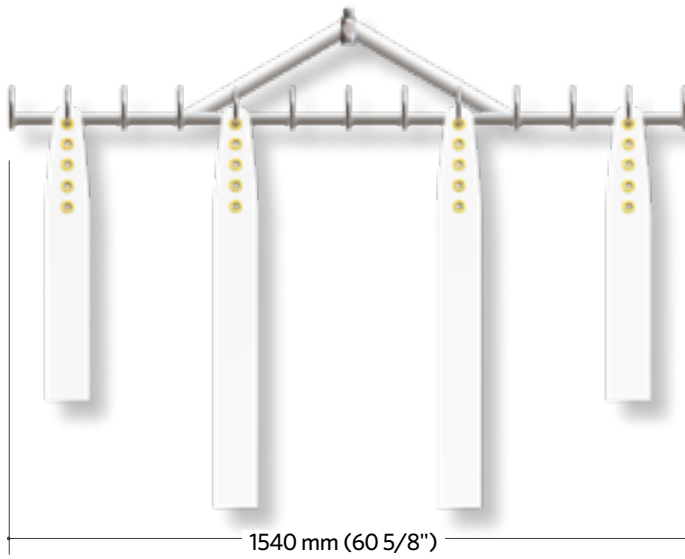
PRODUCT DIMENSION

Maxi Sky 1000



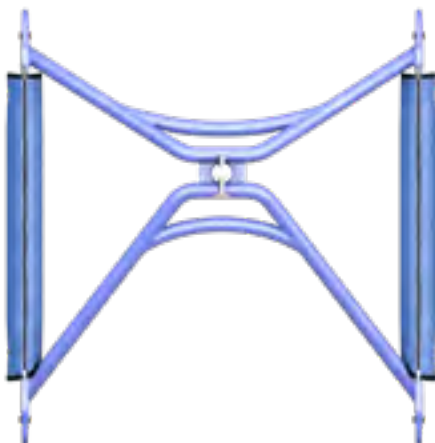
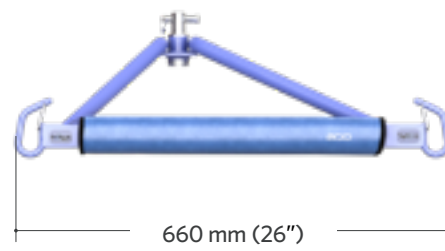
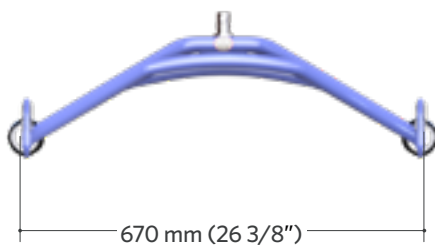
Morgue stretcher for bariatric/MS1000

700.05389



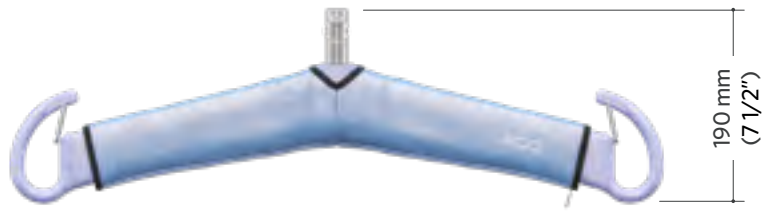
4-Point spreader bar

700-05441



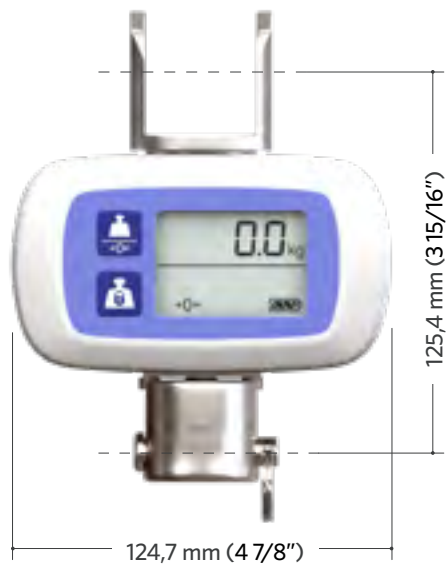
2-point spreader bar

700-05401



Scale unit 454 kg (1000 lb)

700-00526 & 700-00536 (Class III)



Note: Class III scales shall be calibrated by a notified body prior to put into service.

Portable ceiling lifts



Page intentionally left blank



Maxi Sky 440

The portable ceiling lift system

Arjo Mobility Gallery



C

C. Able to partially bear weight on at least one leg. Uses a wheelchair for moving a distance.




D

D. Unable to weight bear through feet. Is able to sit if well supported.



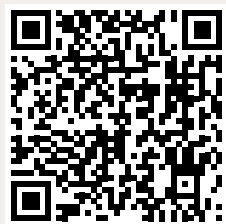
E

E. Difficulty maintaining sitting hence might remain lying/partially lying in bed

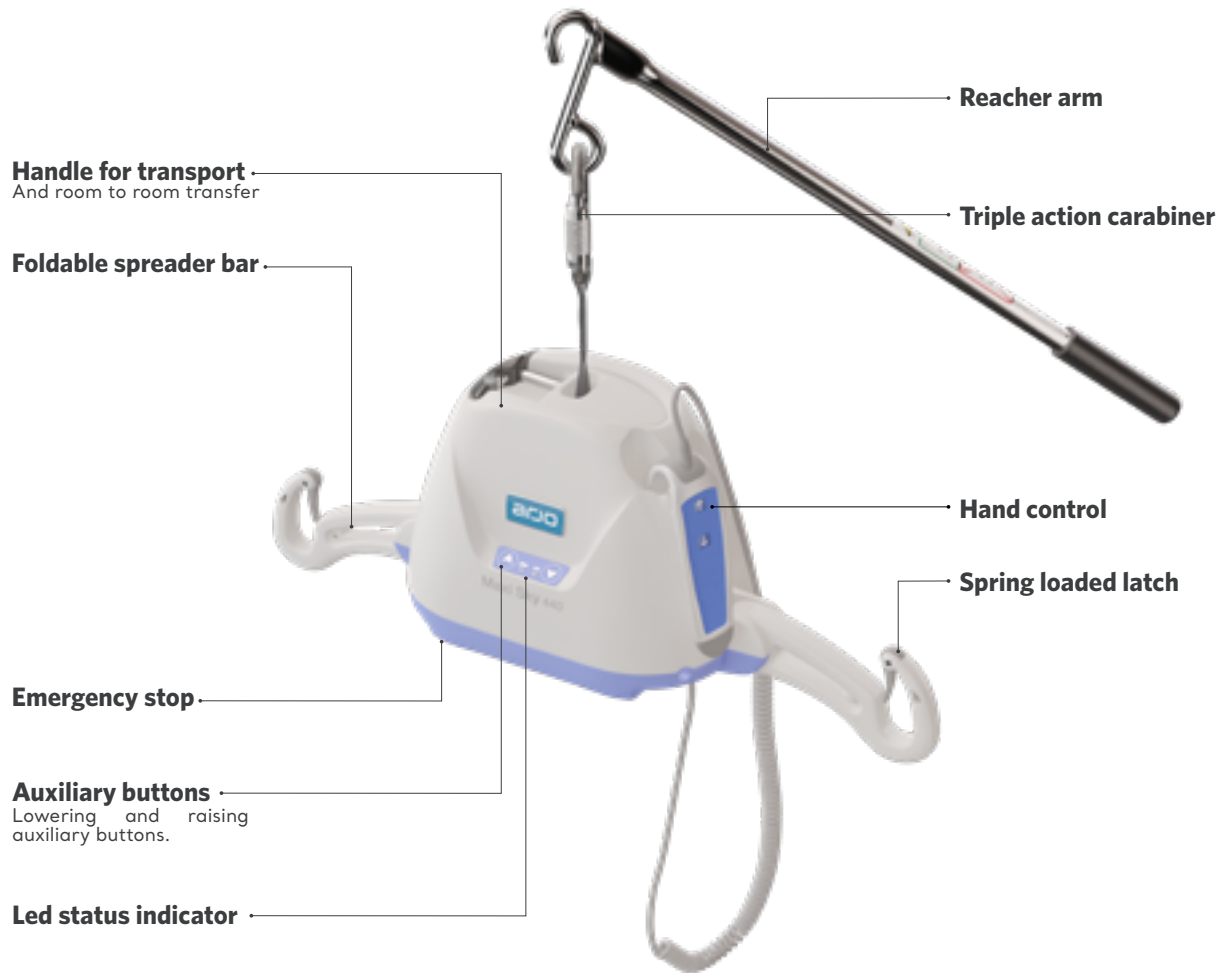
 View in AR



Visit the webpage

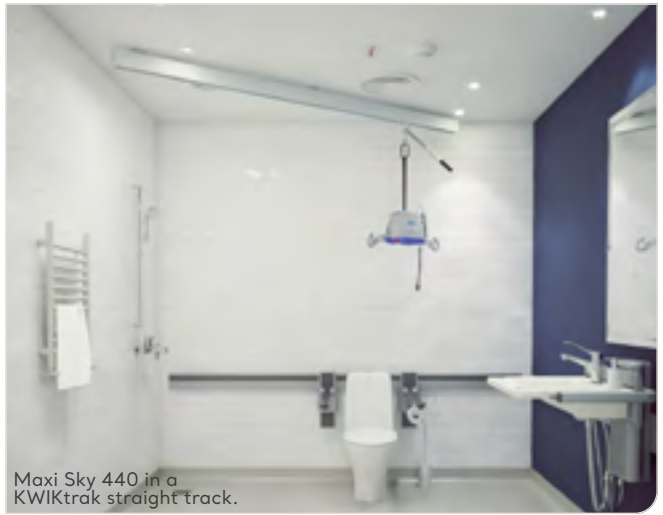


KEY FEATURES





Maxi Sky 440 on a Easytrak 3-point



Maxi Sky 440 in a KWIKtrak straight track.



Close-up view of a Maxi Sky 440 and its reacher arm, on a pivoting trolley



Maxi Sky 440 and its handset in the Maxi Cart for Maxi Sky 440

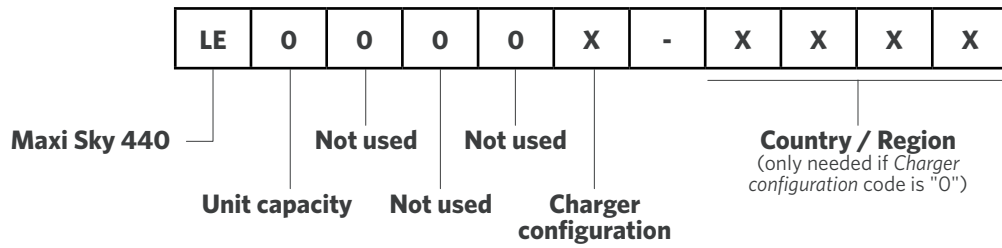


Maxi Sky 440 with its reacher arm, inside a KWIKtrak rail

PRODUCT INFORMATION

GENERAL	
Lifting capacity	200kg (440 lb)
Unit weight (batteries included)	6.35kg (14 lb)
Lifting speed	4.3 cm/s (1.7 in/s)
Folding sling hooks	Reduced space for storage/transport
Electronic microprocessor	Soft-start and stop motor control
Maintenance required indicator	Visual LED
Lift - protection class - shock prevention	Internally powered equipment
Strap length	2200 mm (88 in)
Noise level for either raising or lowering, with or without load.	54 dBAmx.
BATTERIES	
Battery	2x2.3 Ah will average 2 to 4 hours to a complete charge
Battery capacity	Provides up to 30 transfers with a load of 80kg (176 lb)
Low battery indicator	Audible
Charging indicators	"Blinking yellow - charging/ full yellow - charging completed"
HAND CONTROL	
Low force activation buttons, polyester membrane.	IPX7
ABS fire retardant	VO
CHARGER UNIT	
Power indicator on charging module	
100-240 Vac/50-60 Hz/24 VA	
Battery Charger safety protection	Class 2, double insulated
SAFETY FEATURES	
Electrical up and down emergency buttons	Located on the motor cab
Emergency stopping device (push button) accessible below unit	Stop functions
Emergency brake	In case of mechanical failure
Manual emergency lowering device	Accessible from the motor cab
ABS Fire retardant casing	VO
Compliant with	ISO10535:2006, IEC60601-1:2005

PRODUCT NOMENCLATURE



CHARGER CONFIGURATION:	
0	See model country suffix
9	UL primary adapter (Country / Region code not needed)

COUNTRY / REGION	
empty	United State of America
empty	Canada
AU	Australia
EUUK	Austria
EUUK	Belgium
CN	China
DK	Denmark
EUUK	France
EUUK	Germany
HK	Hong Kong
EUUK	India
EUUK	Italy
EUUK	Netherlands
AU	New Zealand
EUUK	Nigeria
PL	Poland
PT	Portugal
EUUK	Singapore
EUUK	South africa
SE	Sweden
EUUK	Switzerland
EUUK	United kingdom

General Note: Product and accessories availability may vary depending on your country/region.

COMPATIBILITY WITH TRACKING SYSTEMS

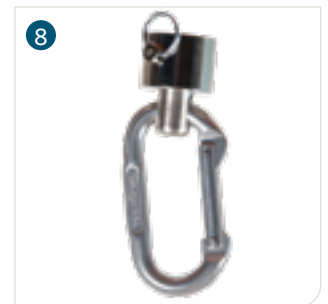
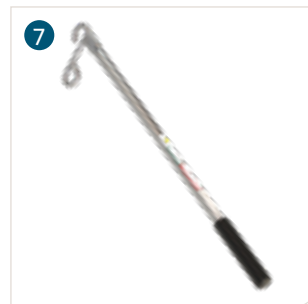
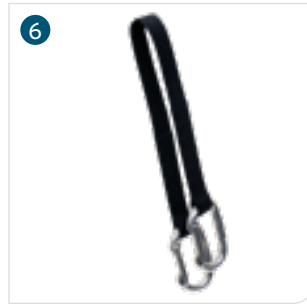
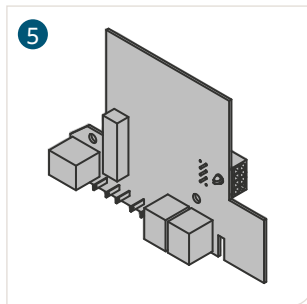
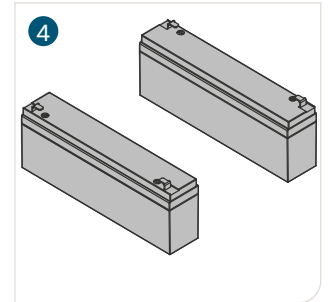
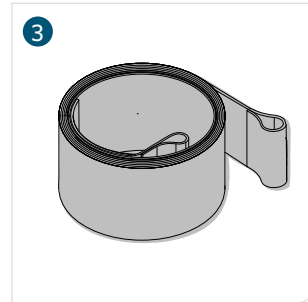
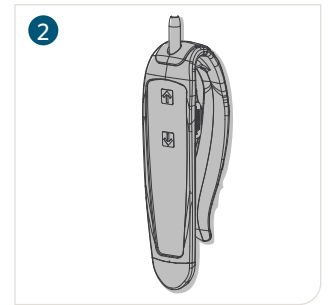
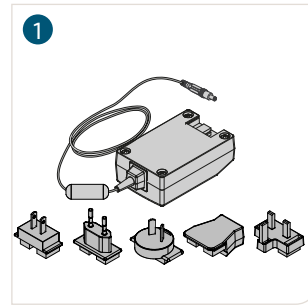
KWIKTRAK LAYOUTS	COMPATIBILITY
Suspended tracks	●
Embedded tracks	●
Wall to wall	●
X-Y system	●
Turntable (automatic)	●
Turntable (manual)	●
Exchanger	●
Gate	●

KWIKTRAK LAYOUTS	COMPATIBILITY
Curtain gap	● ¹
Curve (standard)	●
Curve (large)	●
MS2 Transportable	●
Easytrack	●
Easytrack FS	●
Semi-permanent	●

¹ With special trolley

COMMON PARTS


ARTICLE #	DESCRIPTION
1 700-15568	Universal charger
1 700-15561	Charger UL/JP
2 700-13865-B	2-Button control - IPX7
3 362.01365	Black strap
4 E6585	Battery 12V 2.3Ah terminal blade
5 492.00047-1	Maxi Sky 440 - Main circuit board
6 700.03720	Extension Strap 24" (61 cm)
7 700-08310	Reacher 24" (61 cm)
7 700-08320	Reacher 36" (91 cm)
8 002.08150	Portable Lift Carry Bag

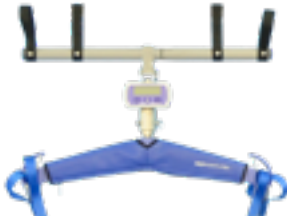


TROLLEYS

DESCRIPTION	PART NUMBER	DESCRIPTION	PART NUMBER
A - Arjo UK Bravo track	700-10640-B	N - Innomedic track	700-10650-B
B - BHM Medical track / Joerns UK	A5900	P - Paramedic track	700-10650-B
D - Arjo UK Bravo track (traverse track)	700-10640-B	Q - Guldmann track (GH2) / Joerns USA	700-10655-B
E - Arjo UK Bianca track	700-10640-B	R - Guldmann track (GH3)	700-10655-B
G - GTM track	700-10640-B	S - Guldmann track (Midi)	700-10655-B
K - KWIKtrak	700-10640-B	T - Tollos track	700-10640-B
K - KWIKtrak with curtain gap	700-10660	V - Handicare Traverse track (Prism/Waverly Glenn)	700-10640-B
L - Liko/Hillrom track	700-10640-B	W - Handicare Standard track (Prism/Waverly Glenn)	700-10640-B
M - Marka track	700-10640-B		

COMPATIBLE SPREADER BARS

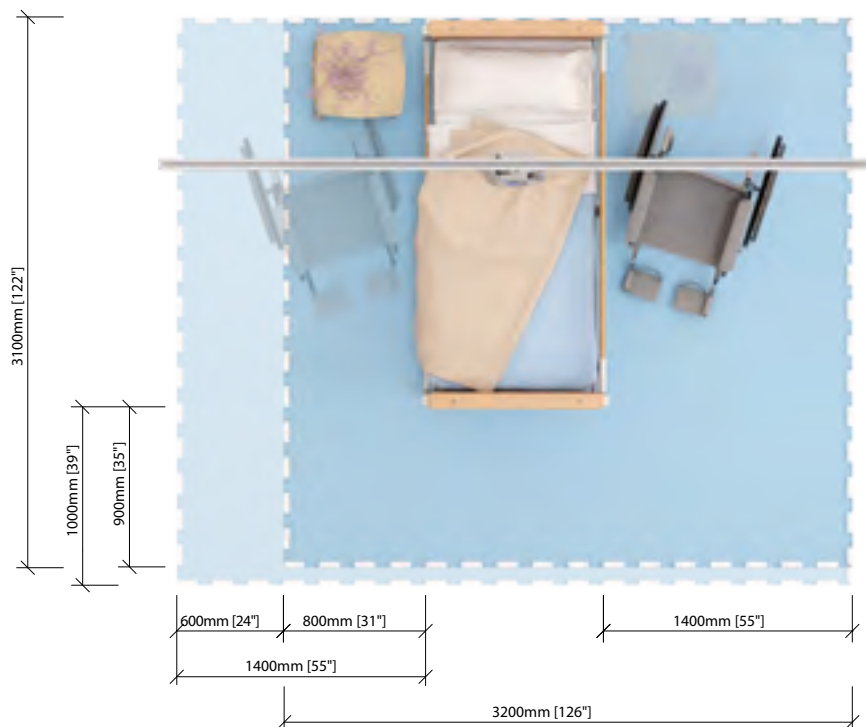
	ARTICLE #	DESCRIPTION
	N/A	Integrated 2-point spreader bar

	700.05725	Portable scale adaptor (Compatible with scales 700-00511 & 700-00531)
---	-----------	--

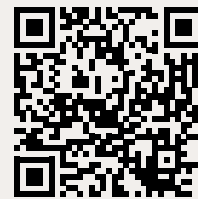
For more information about slings, please refer to the *Technical Reference Guide & Parts Overview - Slings Lateral Transfers & Repositioning* - #01.LG.11.1.GB-INT.1.Arjo



SPACE REQUIREMENTS



For more information about Space requirement, consult the Arjo Guide for Architects and Planners website.



- Blue area shows the minimum working area required for the staff to be able to use the floor lifter in an ergonomic way from one side.
- Light blue area shows required extension of working area to facilitate activities from either side to provide adequate access for the patient, floor lifter and assisting carer.

PRODUCT DIMENSION

Maxi Sky 440



Page intentionally left blank



Tracking

Page intentionally left blank

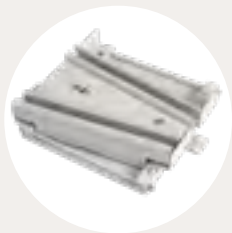


Fixed tracking solutions...



KWIKtrak rails

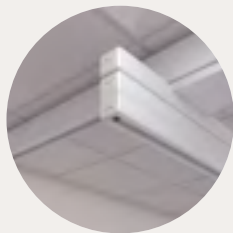
...and accessories



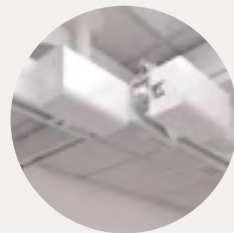
Exchanger



Turntable



X-Y System



Gate

Portable tracking solutions



Easytrack



Easytrack FS



Semi-permanent
2 post



Semi-permanent
4 post

Tracking solution chart

FIXED TRACKING SYSTEMS

	MAXI SKY 440	MAXI SKY 2 SERIES	MAXI SKY 2 PLUS SERIES	MAXI SKY 1000
STRAIGHT				
Rail profile		Embedded 90 mm (3 ½") 90 mm (3 ½") 140 mm (5 ½") 180 mm (7")		
CURVES				
		Embedded 90 mm, 45°, 575 mm (22 ½") radius 90 mm, 45°, 575 mm (22 ½") radius 140 mm (5 ½") 45° & 90°, 965 mm (38") radius		140 mm (5 ½") 45° & 90°, 965 mm (38") radius
		90 mm, 90°, 575 mm (22 ½") radius 140 mm (5 ½") 45° & 90°, 965 mm (38") radius		140 mm (5 ½") 90°, 965 mm (38") radius
ACCESSORIES				
Exchanger		Power sharing activation		
Turntable	Manual pull cord	Power sharing activation		
Gates		Power sharing activation	●	
X-Y SYSTEM				
Standard trolley	●	●	● ¹	Bariatric
Bariatric trolley				●
Flush trolley	●	●		
Extended trolley	●	●		
ATTACHMENT TYPES				
Ceiling	●	●	●	●
Wall	●	●		

PORTABLE TRACKING SYSTEMS

	MAXI SKY 440	VOYAGER PORTABLE	MAXI SKY 2 SERIES	MAXI SKY 2 PLUS SERIES	MAXI SKY 1000
EASYTRACK					
	SWL 200 kg (440 lb)	SWL 200 kg (440 lb)			
EASYTRACK FS					
	SWL 200 kg (440 lb)	SWL 200 kg (440 lb)	SWL 200 kg (440 lb)		
SEMI PERMANENT RACK (LINEAR)					
	●	●	●		●
SEMI PERMANENT RACK (X-Y)					
	●	●	●	○ ¹	

Note: Compatibility may vary depending on the situation, the rail configuration, the rail options, ceiling lift options (i.e.: ECS or C-Stat), or other elements.

¹ All elements related to Maxi Sky 2 Plus may need specific accessories and configurations.

Fixed tracking solutions



Anatomy of a tracking layout



1 Structural attachment point
The attachment point where the ceiling track is installed to the building ceiling structure

2 Threaded rod
This acts as the attachment point between the ceiling track bracket and the upper structure, when the ceiling is suspended

3 Ceiling track
The ceiling track serves to carry the ceiling lift and/or track accessories

4 X-Y system mobile track
The mobile track moves along the fixed rails to allow for use of the lift in all areas that the track encompasses

5 Charging station
Can be located at any point along the rail

6 X-Y trolley
The wheels ride inside the fixed rails and are attached to the mobile track

7 Ceiling lift
A variety of lifts are available in different weight capacities with different features

8 Gate assembly
Allows the transfer from a X-Y system mobile track to a linear track

9 Linear track
A section of track that can access various points in the room. Available in various lengths and curved designs

10 Modified door header
Opening above doorway to allow the track to pass through into another door. Different options are possible

11 Bridging
To avoid ceiling obstacles, such as ducts or vents.



KWIKtrak rail with ECS



Embedded KWIKtrak rail with ECS and an open access door



X-Y system KWIKtrak rails powered by ECS



Maxi Sky 2 on a linear track, going to a bathroom, through a door header. The rail is lowered to be aligned with the bedroom X-Y system the motor is coming from



Maxi Sky 2 on an X-Y system



Maxi Sky 2 passing through a gate



Closed door with a KWIKtrak rail passing through.

Typical installation layouts

The below top view images of different examples of tracking layout for overhead patient lifts will provide slightly different clinical outcomes.

LINEAR TRACKING SOLUTIONS

Linear tracks intended for direct transfers between bed and wheelchair, day chair, etc. With the track at a slight angle to the bed, it is easier to find the optimum point for lifting the resident/patient.



Ceiling mounted. Two separate tracks installed over bed and toilet, (high traffic area for patient handling tasks), possibly a portable lift is best.



Ceiling mounted. Straight track with curve, providing an out of the way charging area for fixed ceiling lifts.



Cost effective. This is a linear layout with multiple curves, crossing the bed, connecting the toilet area. Return to charge (RTC) can be used. When ceiling heights if of concern, a linear tracking layout would maximise stroke (vs X-Y installation). ADL activity could be performed with the walking harness including in bed activities or walking to the bathroom. All typical daily tasks such as bed to wheelchair transfer, transfer to the washroom area can be efficiently performed.



Wall mounted linear track, using wall brackets.



Wall mounted. Linear track with wall posts, for fixed or portable ceiling lifts.



Wall mounted. Linear track, combining wall bracket, side wall posts and T-junction, for fixed or portable ceiling lifts.

X-Y TRACKING SOLUTIONS

X-Y tracking solutions are intended to provide full room coverage, over an entire area...enabling the care providers to pick up a patient anywhere below the tracking solution...and providing additional area coverage possibly for different types of patient handling tasks, like bringing rehab into the patient room.



Ceiling mounted. X-Y tracking solution, for fixed or portable ceiling lifts.



Wall mounted. X-Y tracking solution, for fixed or portable ceiling lifts.



Wall mounted. X-Y tracking solution covering the entire living area, lowered bathroom walls permitting the traverse track of the X-Y system to travel above the walls.



Ceiling mounted. Two separate X-Y tracking solutions, covering each side of the room. For fixed or portable ceiling lifts.



Ceiling mounted. X-Y tracking solution, covering two beds for fixed or portable ceiling lifts.

TRACKING WITH ACCESSORIES SOLUTIONS

Here are some examples of connected track layouts that could possibly be used. ADL activity could be performed allowing access to the bathroom, with the walking harness.



Here is an example of when a Linear Turntable track layout that could possibly be used....a linear layout crossing the bed, out of the way to permit charging out of the way in the corner, to maximize stroke, if ceiling heights is of concern, (RTC) return to charge, can be used when we use the 4function MS2, ADL activity could be performed allowing in the bathroom, with the Walking harness...



Here is an example of an 'X-Y Gate' tracking system.

Full room coverage in Patient Room, and Linear coverage in bathroom, above toilet.

One X-Y room covering system covering patient room, joined by a linear track and connecting to the bathroom. Charging solution can be in either patient room or bathroom, or both rooms if desired.



Here is an example of a 'Double Gate' tracking system.

Full room coverage in Patient Room, and Full Room coverage in bathroom. One X-Y room covering system covering patient room, joined by a linear track and connecting to another X-Y room covering system in bathroom. Charging solution can be in either patient room or bathroom, or both rooms if desired.



Here is an example of when a X-Y tracking layout combined with a Turntable providing access to the bathroom, or exiting the room leading into the corridor, that could possibly be used...with this track layout, the linear tracking portion of the tracking network, will therefore be descended down, (below the ceiling) using an aesthetic rod covering matching the same height as the Traverse track on the X-Y layout...



Here is an example of when an Exchanger could possibly be used....

Ideally an exchanger is incorporated into the track layout, when we have one track path that is Frequent, and not so frequent...in this example we have a need to enter from the bedroom into the connected bathroom...but from time to time the care provider needs to bring the patient into the corridor, possibly to bring into the Central bathing room, or simply into the corridor for some ambulatory training...Only swap the path when planning to leave the room with a patient in the ceiling lift

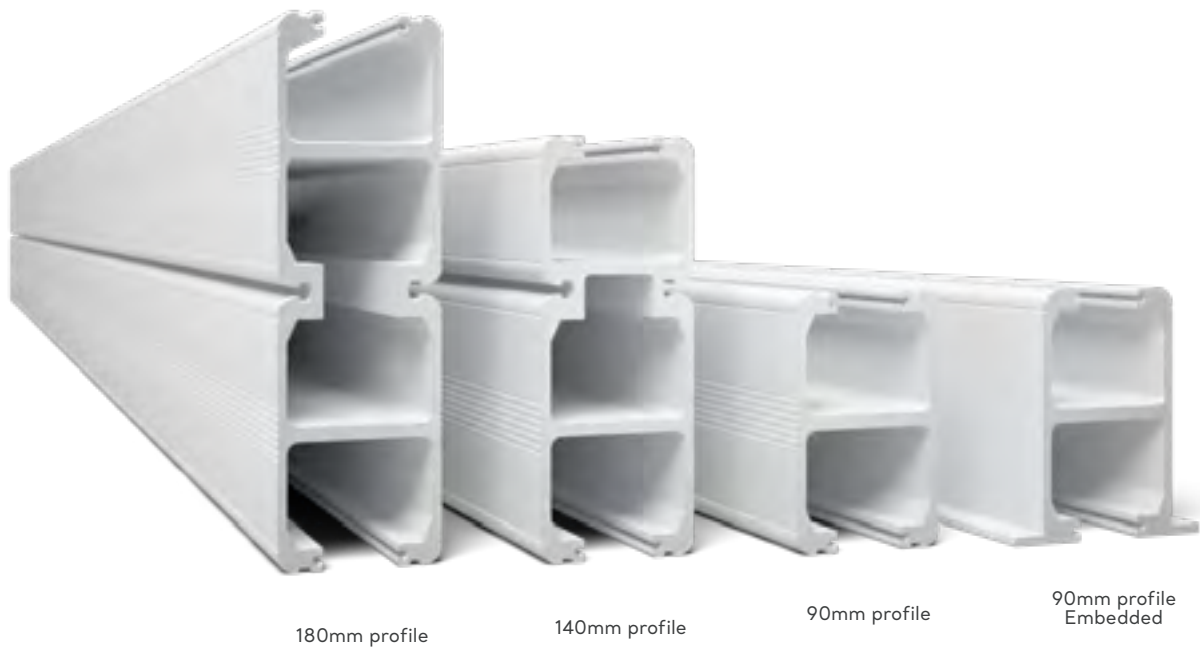
KWIKtrak rails and accessories



TRACK SECTION CHART

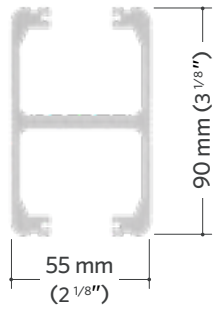
TYPE & LENGTH	PROFILE									
	90MM	90MM WITH MACHINED END	90MM EMBEDDED	90MM EMBEDDED WITH MACHINED END	90MM DRILLED ¹	140MM	140MM WITH MACHINED END	180MM	180MM WITH MACHINED END	
STRAIGHT TRACKS										
370mm	225-13002									
2m	200.12800	250-12811	200-13020							
2.5m						200.12876				
3m	200.12810	250.12810	200-13030	250-13031	250-12814	200-12874				
3.5m						200-12872			200.12882	
4m	200.12815	250-12812	200-13040	250-13041	250-12816				200.12883	
4.5m						200.12870	250.12871			200.12884
5m	200-12825					200-12875			200.12885	
5.5m									200.12886	
6m	200.12820	250-12813	250-13060	250-13061	250-12817			200.12880	250.12881	
7m						200-12877				
8m								200-12888		
CURVED TRACKS										
45° curve	700.12840	700-12842		700.12850						
90° curve	700.12860	700-12862		700.12865						
45° curve +2x2m straight	700-12841									
90° curve +2x2m straight	700-12861									

¹ Not all available in all markets, confirm with your local Order Desk to ensure item is available in your region

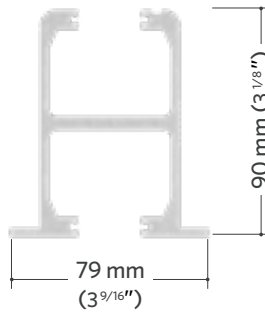


DIMENSIONS

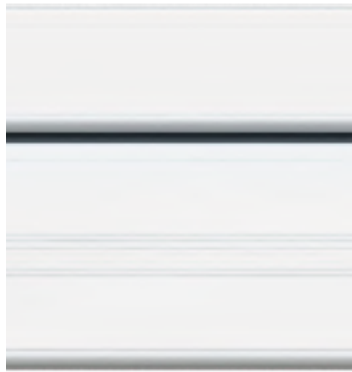
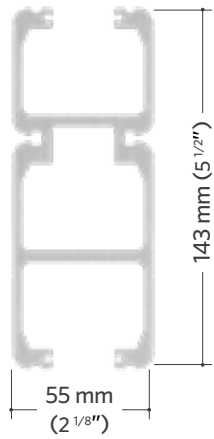
KWIKtrak 90mm



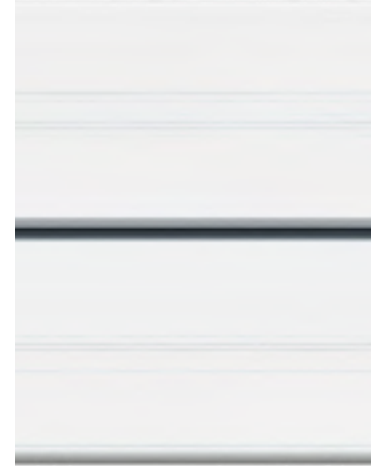
KWIKtrak 90mm embedded



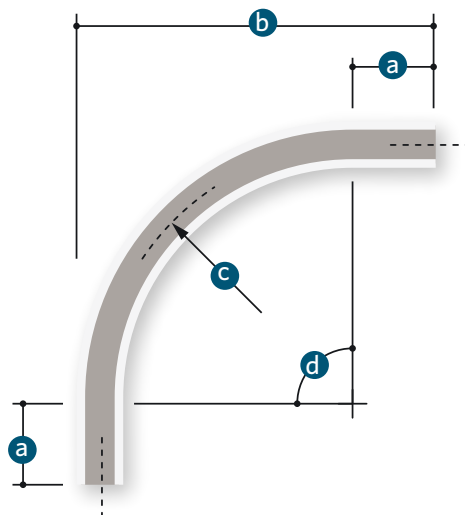
KWIKtrak 140mm



KWIKtrak 180mm



	MEASURE A		MEASURE B		MEASURE C		MEASURE D
H90 45° standard	325 mm	12 ^{13/16} "	961 mm	37 ^{13/16} "	585.5 mm	23 ^{1/16} "	135°
H90 90° standard	150 mm	5 ^{15/16} "	725 mm	28 ^{9/16} "	585.5 mm	23 ^{1/16} "	90°
H90 45° embedded	325 mm	12 ^{13/16} "	981 mm	38 ^{5/8} "	585.5 mm	23 ^{1/16} "	135°
H90 90° embedded	150 mm	5 ^{15/16} "	745 mm	29 ^{5/16} "	585.5 mm	23 ^{1/16} "	90°
H90 45° + 2m	2020mm	79 ^{1/2} "	2653 mm (+/-25 mm)	104 ^{7/16} " (+/-0.98")	585.5 mm	23 ^{1/16} "	135°
H90 90° + 2m	2056 mm	80 ^{15/16} "	2653 mm (+/-25 mm)	104 ^{7/16} " (+/-0.98")	585.5 mm	23 ^{1/16} "	90°
H140 45° large	269 mm	10 ^{9/16} "	1647 mm	64 ^{13/16} "	975 mm	38 ^{3/8} "	135°
H140 90° large	225 mm	8 ^{7/8} "	1228 mm	48 ^{3/8} "	975 mm	38 ^{3/8} "	90°



Anatomy of a track

KWIKtrak™ includes track, curves, X-Y traverse systems, gates, turntables, exchangers, and many modular components that can be combined to create the ideal 'Fixed tracking' layout for your specific requirements. The modular component concept of KWIKtrak™, especially the patented track bracket, means the system's installation procedure is fast and with minimal disruption to your environment, making sure your Maxi Sky® series of ceiling lifts is up and running promptly.



1 EMBEDDED PROFILE

Mounted into the ceiling, this profile equipped with a lip, facilitates seamless integration with your ceiling, which enables a more discrete look as well as increasing lifting stroke.

2 TRACK JOINTS

Smooth seamless joints use a unique pin locking system that improves lateral movement and a finished appearance.

3 PROFILE DESIGN

Slim symmetrical design rail is aesthetically pleasing and permits a tight turning radius on curves.

4 THE TRACK BRACKET

This patented track bracket design ensures a fast installation and facilitates leveling with minimal disruption to your environment. Its built-in locking indicator provides a visual evidence to the inspector confirming the bracket is properly secured.

5 STANDARD PROFILE

Typically used and installed below ceilings. The white color with gloss smooth finish blends in nicely into any room decor.

6 CLEANING & DISINFECTION

Effective disinfection methods that comply with local or national guidelines.



Embedded track system

KWIKtrak solution

CLOSE-UP VIEW



Maxi Sky 2 ECS inside an embedded track equipped with ECS strips

PART NUMBERS

ARTICLE #	DESCRIPTION
1 200-13020	90 mm - Straight Embedded Track 2000 mm (78 3/4")
1 200-13030	90 mm - Straight Embedded Track 3000 mm (118")
1 200-13040	90 mm - Straight Embedded Track 4000 mm (157")
2 700-13005	Embedded track access zone cover kit
3 225-13002	90 mm - Straight Embedded track with service zone 370 mm (14.5")
4 250-13031	90 mm - Straight Embedded track with service zone 3000 mm (118")
4 250-13041	90 mm - Straight Embedded track with service zone 4000 mm (156")
4 250-13061	90 mm - Straight Embedded track with service zone 6000 mm (236")
5 700-12862	90 mm - 90°, 585.5 mm (23") radius - Embedded Track



SAFE WORKING LOAD (SWL)

WEIGHT	COMPATIBILITY
200 kg (440 lb)	•
272 kg (600 lb)	•
454 kg (1000 lb)	•



X-Y System

Room covering system

LAYOUT EXAMPLE

The X-Y rail system allows the lift to be moved in any direction over a predetermined area, enabling Maxi Sky to cover the entire surface. Moving the ceiling lift in Y axis direction requires moving the lift and the traverse track simultaneously.



USAGE EXAMPLE

Two bed patient room



X-Y system covering two beds with extended fixed tracks providing coverage between foot of bed and wall for rehab purposes. Gaps in fixed tracks, maintain patient privacy, permitting the curtains to pass through.

Bathing room



X-Y system providing full coverage, enabling transfers in shower area and bathing area.

Single bed bariatric patient room single traverse



A single traverse track bariatric X-Y system covering bed with extended fixed tracks providing coverage between foot of the bed and wall for rehab purposes...

Single bed bariatric patient room dual traverse



...this solution is also available for Maxi Sky 2 Plus with its dual traverse track system

Morgue



A single traverse track system can increase work space and efficiency in this type of environment.

Therapy pool area



At pool side or when patient is in pool, to support rehabilitation exercises during aquatic therapy.

X-Y TROLLEY OPTIONS FOR 272KG (600 LB)

Standard X-Y Solution



Standard X-Y solution with extended trolley



Standard X-Y solution with flush trolley



Embedded X-Y Solution



Wall Mounted Flush X-Y Solution



Curtain Gap with Standard X-Y Solution



X-Y TROLLEY OPTIONS FOR 454KG (1000 LB)

Standard X-Y Solution



Recessed X-Y Solution



Standard X-Y solution for Maxi Sky 2 Plus



Standard X-Y Solution with sprinkler shims



Standard X-Y Solution with extended trolley



Other combinations exists.
Refer to your regional projects team for more details

POSSIBLE COMBINATIONS AND POWERING SYSTEM COMPATIBILITY

X-Y SOLUTIONS	WCS	C-STAT/C-STAT	ECS/ECS	ECS/C-STAT
SINGLE TRAVERSE 272 KG (600 lb)				
Standard X-Y solution	•	•	•	•
Recessed X-Y solution	•	•	•	•
Standard X-Y solution with extended trolley	•	•	•	•
Recessed X-Y solution with extended trolley	•	•	•	•
Standard X-Y solution with flush trolley	•		•	•
Embedded X-Y solution	•		•	•
Embedded X-Y solution with extended trolley	•		•	•
Wall mounted X-Y solution with flush trolley (Wall insert)	•		•	•
Wall mounted X-Y solution with flush trolley (pre-drilled tracks)	•		•	•
Wall post X-Y solution	•	•	•	•
Wall bracket X-Y solution	•	•	•	•
Standard X-Y solution with curtain gap	•	•		
Standard X-Y solution with extended trolley and curtain gap	•	•		
SINGLE TRAVERSE 454 KG (1000 lb)				
Standard X-Y solution		•	•	•
Embedded X-Y solution		Doesn't exist		
Recessed X-Y solution		•	•	•
DUAL TRAVERSE (MS2 Plus) 454 KG (1000 lb)				
Standard X-Y solution		•	•	•
Recessed X-Y solution		•	•	•
Standard X-Y solution with extended trolley		•	•	•
Recessed X-Y solution with extended trolley		•	•	•
Embedded X-Y solution			•	•
Embedded X-Y solution with extended trolley			•	•
Standard X-Y solution with curtain gap		•		
Standard X-Y solution with extended trolley and curtain gap		•		

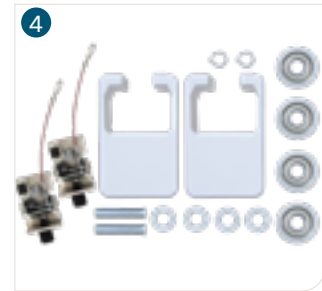
Note: Eventhough the WCS is not a tracking powering system, we've added it to this table for convenience. The WCS is compatible with Maxi Sky 2 and Maxi Sky 2 Infection Control.

PART NUMBERS

ARTICLE #	DESCRIPTION
272 KG (600 LB) X-Y TROLLEY (SINGLE TRACK)	
1 700-11224	Flush X-Y trolley kit 272 kg (600 lb)
2 700-11225	Universal KWIKtrak X-Y trolley kit 272 kg (600 lb)
3 700.11226	Extended X-Y trolley kit 272 kg (600 lb)
4 700-11245	Wheel kit «Add-on» for curtain pass through
5 700.15570	Retaining assembly KWIKtrak for X-Y (Not compatible with ECS)
6 700-15760	ECS Gate ramps kit
7 700-11228	Wiring Kit ECS to ECS
8 700-11227	ECS - Charging station wire kit
9 700-11241	Kit contact blade adaptor C-Stat
10 700-11286	Sprinkler spacer kit for X-Y ⁽¹⁾



454 KG (1000 LB) X-Y TROLLEY (DUAL TRACK)	
2 700-11225	Universal KWIKtrak X-Y trolley kit 272 kg (600 lb)
3 700.11226	Extended X-Y trolley kit 272 kg (600 lb)
4 700-11245	Wheel kit «Add-on» for curtain pass through
5 700.15570	Retaining assembly KWIKtrak for X-Y (Not compatible with ECS)
6 700-15760	ECS Gate ramps kit
7 700-11228	Wiring Kit ECS to ECS
8 700-11227	ECS - Charging station wire kit
9 700-11241	Kit contact blade adaptor C-Stat
10 700-11286	Sprinkler spacer kit for X-Y ⁽²⁾



200-31237	X-Y trolley link (1 pc)
------------------	-------------------------

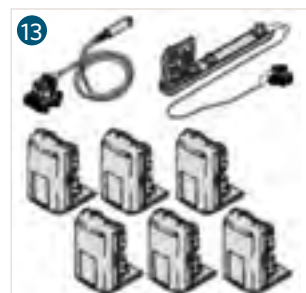


454 KG (1000 LB) X-Y TROLLEY (SINGLE TRACK)	
5 700.15570	Retaining assembly KWIKtrak for X-Y (Not compatible with ECS)
11 700-11070	X-Y trolley kit 454kg (1000 lb)
12 700.15510	Charger interface (CSTAT) for X-Y trolley kit 454 kg (1000 lb)
13 700-11075	Charger interface (ECS-CSTAT) for X-Y trolley kit 454 kg (1000 lb)
14 700-11080	Charger interface (ECS-ECS) for X-Y trolley kit 454 kg (1000 lb)



¹ Compatible with #700-11224, #700-11225 & #700-11226
² Compatible with #700-11225 & #700-11226

For an exhaustive list, refer to document:
KWIKtrak X-Y Track System - Installation Instructions Solution for 454 kg (1000 lb) #001-11276



Page intentionally left blank



Gate

Locks tracks together when linking two rail systems

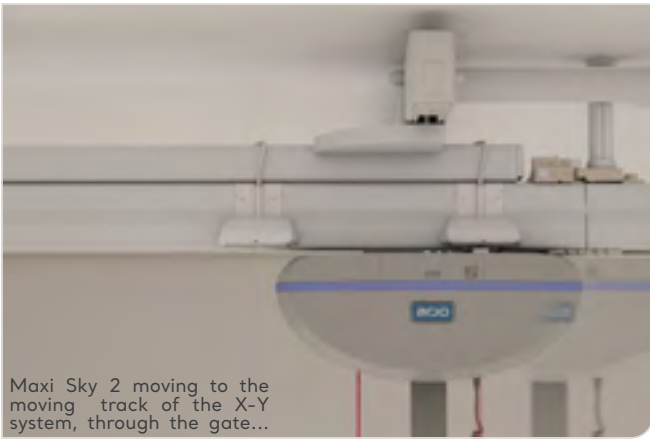
Anatomy of the gate system

The KWIKtrak Gate system is a track accessory to be used with the KWIKtrak tracking system, and a fixed ceiling lift like Maxi Sky 2. The Gate system allows the ceiling lift to travel from a mobile 'traverse' track section to a Linear track section and/or vice versa.

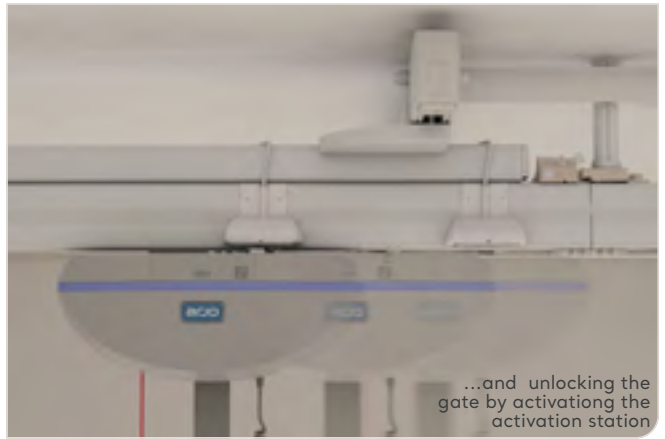
KEY FEATURES



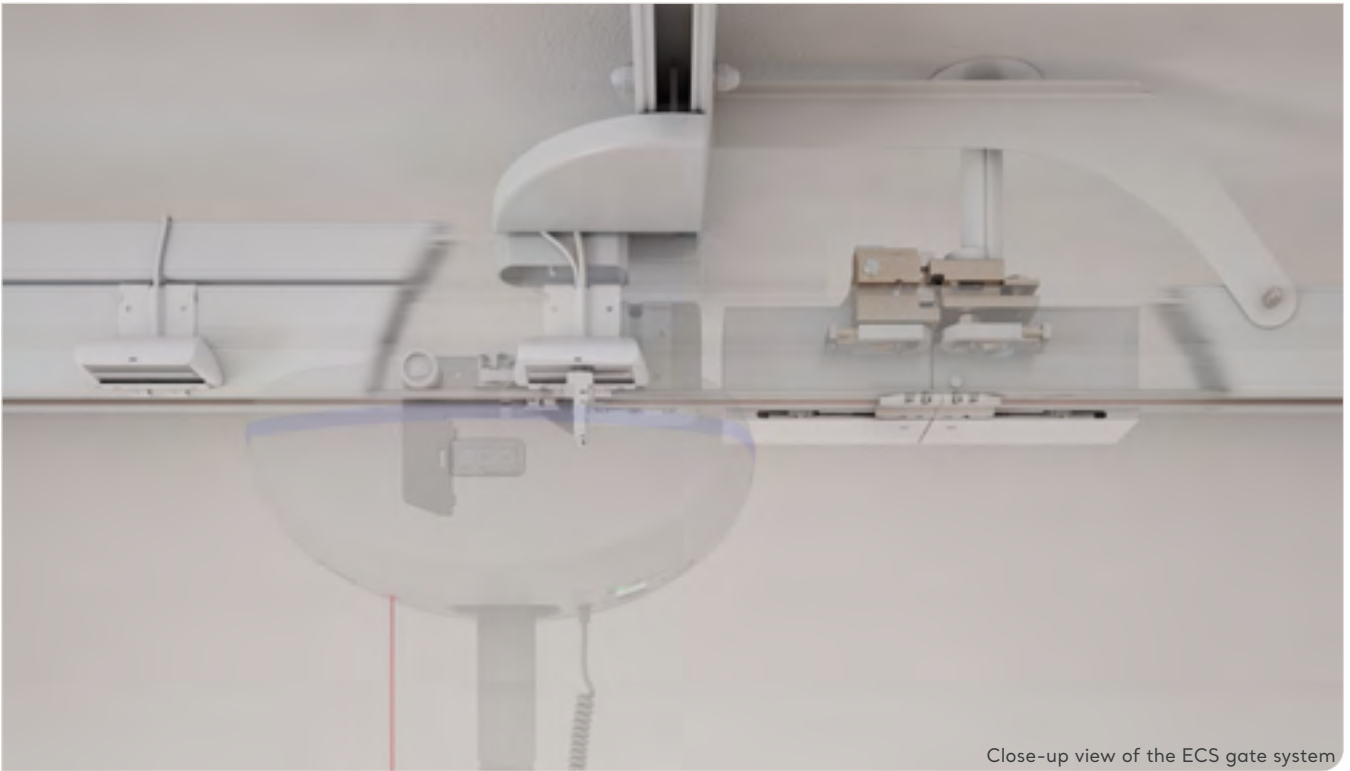
- ① Gate boxes
- ② X-Y Trolley
- ③ Mobile track (traverse)
- ④ Activation station
- ⑤ Deactivation station
- ⑥ Support arm
- ⑦ Energy reserve box
- ⑧ ECS ramps kit (optional)
- ⑨ Fixed tracks
- ⑩ Continuing linear tracks



Maxi Sky 2 moving to the moving track of the X-Y system, through the gate...



...and unlocking the gate by activating the activation station



Close-up view of the ECS gate system



Another close-up view of an ECS gate for Maxi Sky 2 Plus

GATE COMPATIBILITY W/ CEILING LIFTS

SAFE WORKING LOAD (SWL)

CEILING LIFTS	COMPATIBILITY
Maxi Sky 440	
Maxi Sky 2 Series(C-Stat)	•
Maxi Sky 2 Series (ECS)	•
Maxi Sky 1000 (C-Stat)	
Maxi Sky 1000 (ECS)	
Maxi Sky 2 Plus Series (C-Stat)	•
Maxi Sky 2 Plus Series (ECS)	•

WEIGHT	COMPATIBILITY
100 kg (220 lb)	•
200 kg (440 lb)	•
272 kg (600 lb)	•
454 kg (1000 lb)	•

PART NUMBERS

Maxi Sky 2 Series Gate system

ARTICLE #	DESCRIPTION
1 700-11502	KWIKtrak Single Gate System 272 kg (600lb)
2 700-11508	KWIKtrak Double Gate System 272 kg (600lb)
3 700-11561	KWIKtrak gate motor box
4 700-11569	KWIKtrak 3 contacts interface kit for gate
5 700-11566	KWIKtrak double contact box for gate
6 700.11590	KWIKtrak energy reserve box for gate
7 700-11510	KWIKtrak gate DF locker
8 700.11635	KWIKtrak gate reinforcement kit
9 450-00058	Proximity magnet kit

For an exhaustive list, refer to document:
KWIKtrak Gate System - Parts List - Instruction for use
 #001-11507

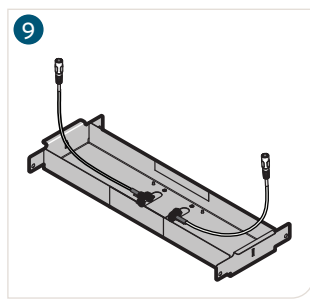
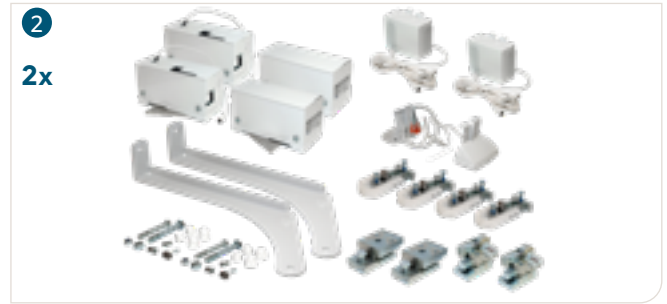


PART NUMBERS

Maxi Sky 2 Plus Series Gate system

ARTICLE #	DESCRIPTION
1 700-31297	KWIKtrak MS2Plus Single Gate System 454 kg (1000 lb)
2 700-31254	KWIKtrak MS2Plus Double Gate System 454 kg (1000 lb)
3 700-11561	KWIKtrak gate motor box
4 700-11569	3-contact interface kit for universal trolleys
5 700-11566	Double contact box kit
6 700.11590	KWIKtrak energy reserve box for gate
7 700-11510	KWIKtrak gate DF locker
8 700.11635	KWIKtrak gate reinforcement kit
9 700-31298	Charging station MS2 Plus
10 402-31234	MS2 Plus Dual Gate Connection Cable
11 700-31291	ACT STAT Double gate MS2 Plus
12 700-31290	ACT STAT Single gate MS2 Plus
13 450-00058	Proximity magnet kit
14 225-31284	Alignment plate

For an exhaustive list, refer to document:
KWIKtrak Gate System - Parts List - Instruction for use
 #001-11507



GATE FOR MAXI SKY 2 USAGE EXAMPLES

Standard X-Y Solution with Single Gate



An X-Y traverse system combined with a gate and single track. Creates a convenient and comfortable solution for bedroom coverage and toilet access.

Parts required for this gate system ¹:

ARTICLE #	DESCRIPTION
700-11502	KWIKtrak Single Gate System 272 kg (600 lb)

Single X-Y Solution with Double Gate



An X-Y traverse system combined with a double gate and two single tracks. Creates a convenient and comfortable solution for small bedroom coverage and toilet access with a charging zone out of the main area.

Parts required for this gate system ¹:

ARTICLE #	DESCRIPTION
700-11508	KWIKtrak Double Gate System 272 kg (600 lb)

Two X-Y Solutions with Double Gate



Two times X-Y traverse system linked together via a single track. Creates a convenient and comfortable solution for bedroom coverage access.

Part numbers required for this layout ¹:

ARTICLE #	DESCRIPTION
700-11508	KWIKtrak Double Gate System 272 kg (600 lb)

¹ This parts list contains only the components required for the regular gate assembly. Tracking, motors, powering, ECS compatibility and others accessories are not included.

GATE FOR MAXI SKY 2 PLUS USAGE EXAMPLES

X-Y (single gate tracking solution)

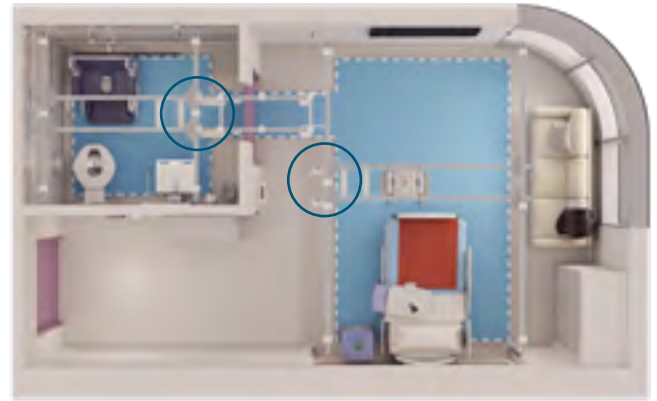


An X-Y tracking solution providing full room coverage within the patient's room combined with a single Gate System and tracking leading into the en-suite bathroom.

Parts required for this gate system¹:

ARTICLE #	DESCRIPTION
700-31297	KWIKtrak MS2Plus Single Gate System 454 kg (1000 lb)

Two X-Y (Double Gate) solution

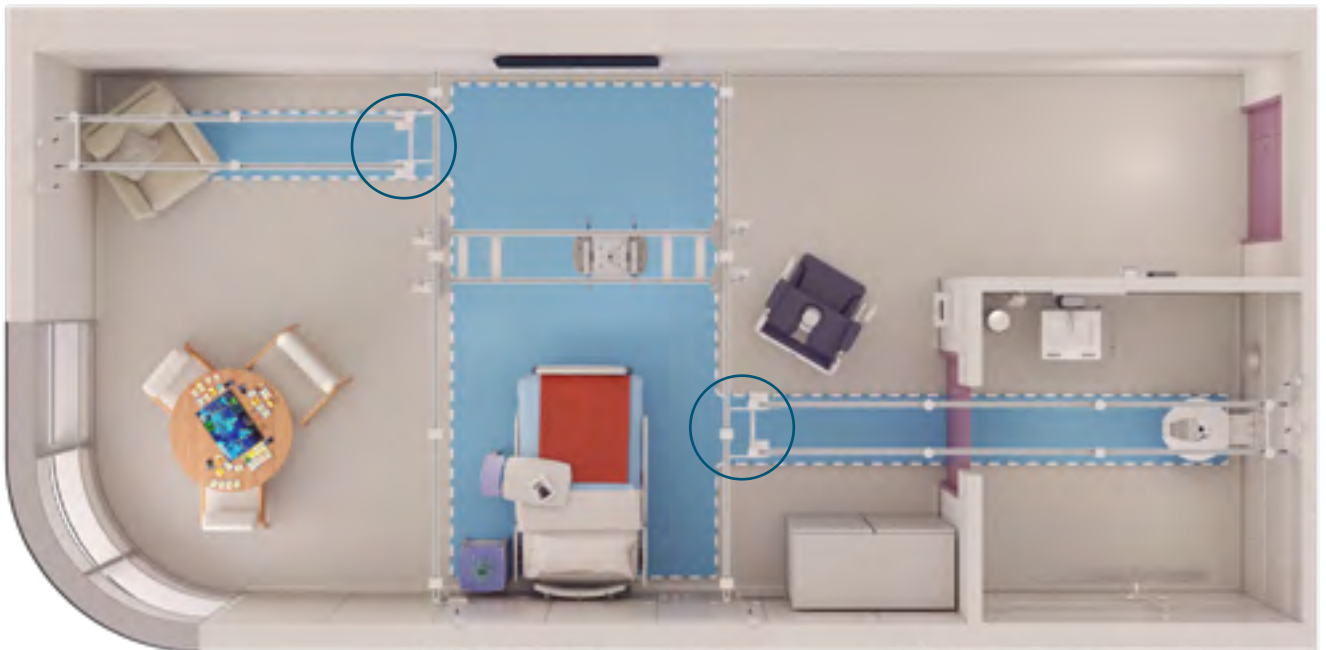


Full-room coverage in both the patient's room and the en-suite, linked together with a straight track configuration using a Double Gate system.

Parts required for this gate system¹:

ARTICLE #	DESCRIPTION
700-31254	KWIKtrak MS2Plus Double Gate System 454 kg (1000 lb)

Single X-Y (Double Gate) solution



Full-room coverage in the patient's room and single tracks branching off on either side of the single X-Y, using the Double Gate system.

Parts required for this gate system¹:

ARTICLE #	DESCRIPTION
700-31254	KWIKtrak MS2Plus Double Gate System 454 kg (1000 lb)

¹ This parts list contains only the components required for the regular gate assembly. Tracking, motors, powering, ECS compatibility and others accessories are not included.



Turntable

Run tracks in multiple directions

LAYOUT EXAMPLE



PART NUMBERS

ARTICLE #	DESCRIPTION
1 700.11600	Automatic Turntable for fix ceiling lifts
2 700-11850	Manual Turntable for portable or fixed ceiling lifts
700.15525	Additional contact box
700.11751	Bottom cover (including extended plate)
700.15565	Extended contact station bracket



COMPATIBILITY WITH CEILING LIFTS

CEILING LIFTS	AUTOMATIC TURNTABLE	MANUAL TURNTABLE
Maxi Sky 440		•
Maxi Sky 2 Series (C-Stat)	•	•
Maxi Sky 2 Series (ECS)		
Maxi Sky 1000 (C-Stat)		
Maxi Sky 1000 (ECS)		
Maxi Sky 2 Plus Series		

SAFE WORKING LOAD (SWL)

WEIGHT	COMPATIBILITY
100 kg (220 lb)	•
200 kg (440 lb)	•
272 kg (600 lb)	•
454 kg (1000 lb)	

Notes:

- ¹ Both Automatic turntable and Manual turntable are compatible with 90mm KWIKTrak rails only.
- ² They cannot be embedded into the ceiling, nor used with embedded tracks.



Maxi Sky 2 IC approaching the automatic turntable



Maxi Sky 2 IC entering into the automatic turntable



Maxi Sky 2 IC on the automatic turntable following 90 degrees rotation

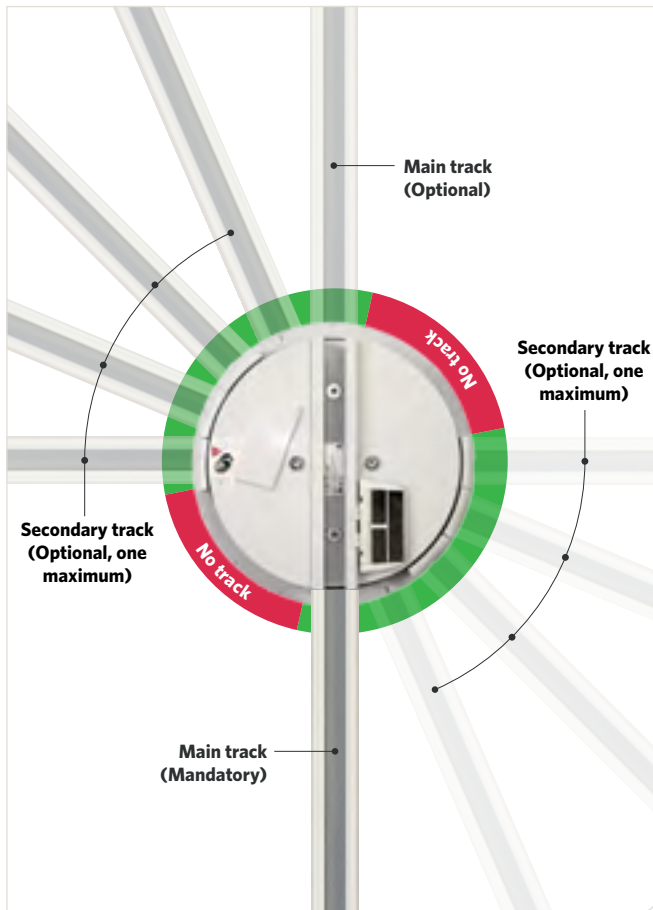


Maxi Sky 2 IC leaving the automatic turntable



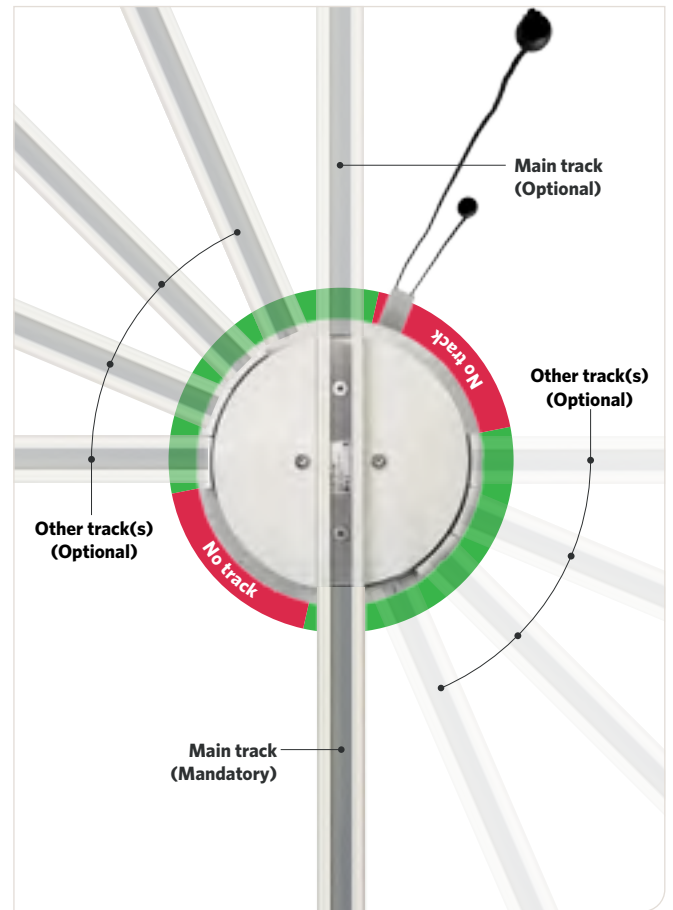
Complex layouts can be achieved with different turntables and other KWIKtrak accessoires

SET UP (AUTOMATIC TURNTABLE)



The automatic turntable allows a rotation of the ceiling lift in TWO axis maximum, with an increment of 22.5°

SET UP (MANUAL TURNTABLE)

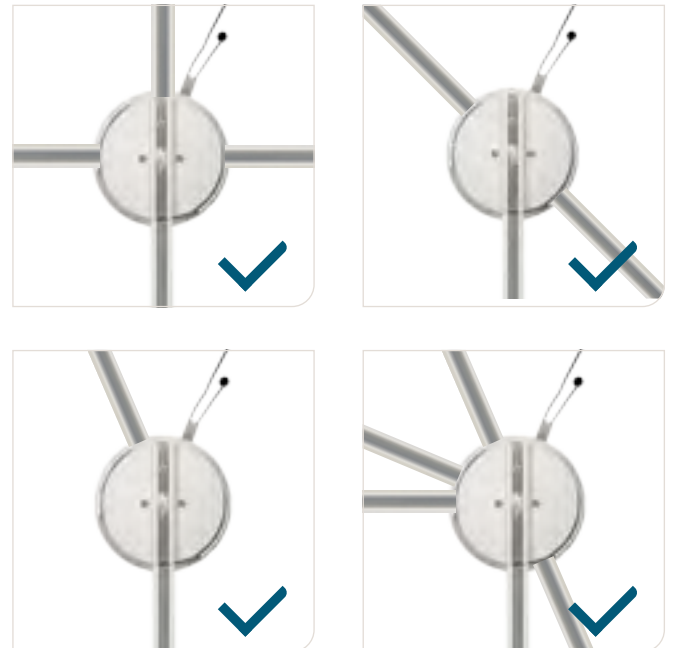


The manual turntable allows a rotation of the ceiling lift up to FIVE axis, with an increment of 22.5°

Examples of possible configurations



Examples of possible configurations





Exchanger

Run tracks in different directions

LAYOUT EXAMPLE



PART NUMBER

ARTICLE #	DESCRIPTION
1 700.11700	Exchanger for fixed ceiling lifts



COMPATIBILITY WITH CEILING LIFTS

CEILING LIFTS	COMPATIBILITY
Maxi Sky 440	
Maxi Sky 2 Series (C-Stat)	•
Maxi Sky 2 Series (ECS)	
Maxi Sky 1000	
Maxi Sky 2 Plus Series	

SAFE WORKING LOAD (SWL)

WEIGHT	COMPATIBILITY
100 kg (220 lb)	•
200 kg (440 lb)	•
272 kg (600 lb)	•
454 kg (1000 lb)	



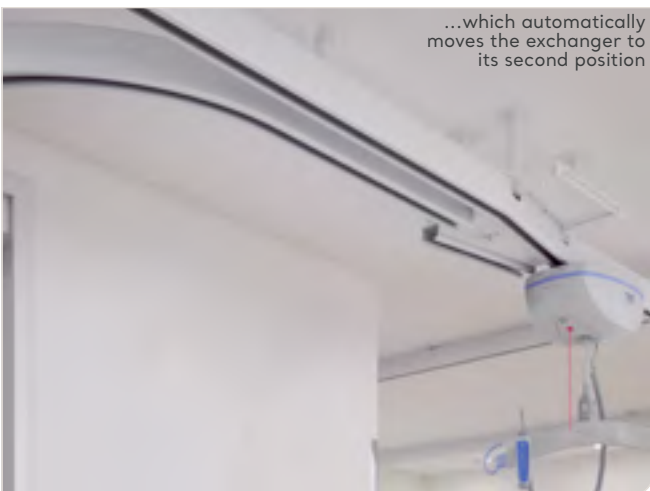
A Maxi Sky 2 IC and an exchanger



Maxi Sky 2 IC entering in an exchanger



Maxi Sky 2 IC activates the contact station...

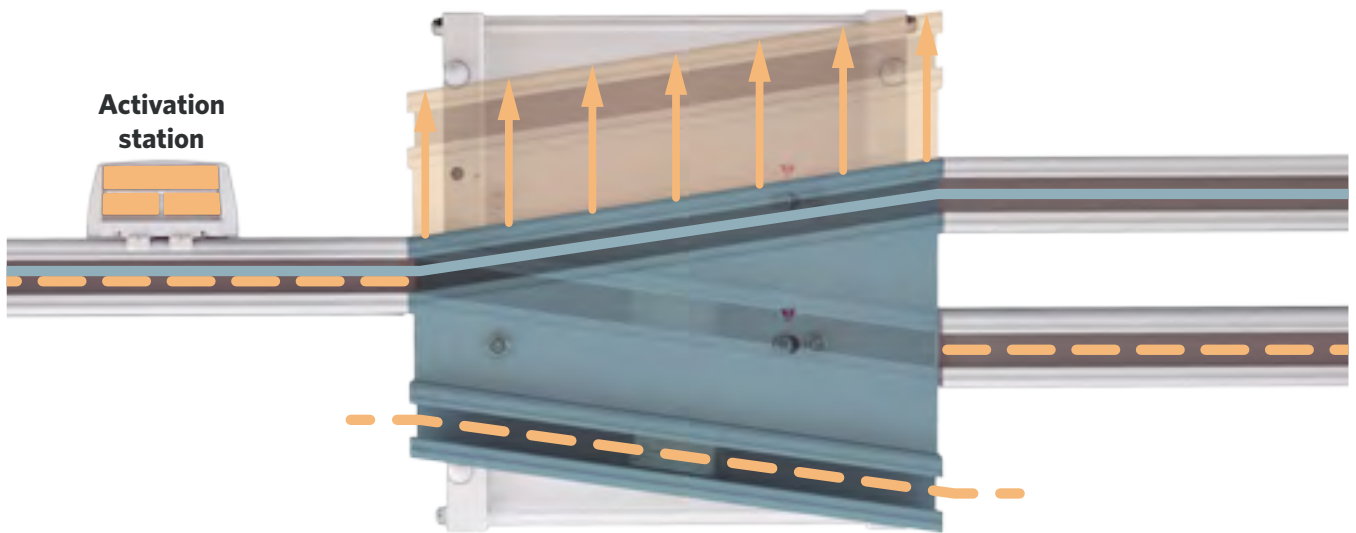


...which automatically moves the exchanger to its second position



The motor has now access to the other rail

SET UP



Notes:

- ¹ The exchanger is compatible with 90mm KWIKTrak rails only.
- ² It cannot be embedded into the ceiling, nor used with embedded tracks.



Cathedral ceiling bracket

Track bracket for sloped structure

CLOSE-UP VIEWS



PART NUMBER

ARTICLE #	DESCRIPTION
1 700.11370	Cathedral Ceiling Bracket
2 200.12970	Rod cover
3 700.11380	Visible Lateral Brace (Rod cover tubing required)



COMPATIBILITY WITH CEILING LIFTS

CEILING LIFTS	COMPATIBILITY
Maxi Sky 440	•
Maxi Sky 2 Series(C-Stat)	•
Maxi Sky 2 Series (ECS)	•
Maxi Sky 1000 (C-Stat)	
Maxi Sky 1000 (ECS)	
Maxi Sky 2 Plus Series	

SAFE WORKING LOAD (SWL)

WEIGHT	COMPATIBILITY
200 kg (440 lb)	•
272 kg (600 lb)	•
454 kg (1000 lb)	



Wall bracket

Wall fixation method when above ceiling is inaccessible or sloped

LAYOUT EXAMPLE



PART NUMBER

ARTICLE #	DESCRIPTION
1 700.11020	Wall bracket
2 000.01205	Strut 13/16, white 10'
3 000.01215	White Cap for 13/16 Hilti Strut
3 000.01217	White Cap for 1 5/8 Hilti Strut



COMPATIBILITY WITH CEILING LIFTS

CEILING LIFTS	COMPATIBILITY
Maxi Sky 440	•
Maxi Sky 2 Series (C-Stat)	•
Maxi Sky 2 Series (ECS)	•
Maxi Sky 1000 (C-Stat)	
Maxi Sky 1000 (ECS)	
Maxi Sky 2 Plus Series	

SAFE WORKING LOAD (SWL)

WEIGHT	COMPATIBILITY
200 kg (440 lb)	•
272 kg (600 lb)	•
454 kg (1000 lb)	



Wall post

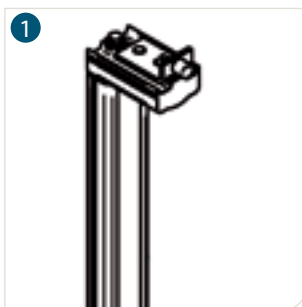
Wall fixation method when above ceiling is inaccessible or sloped

LAYOUT EXAMPLE



PART NUMBER

ARTICLE #	DESCRIPTION
1 700.12900	End of Track Wall Post 3000 mm (118")
2 225.12915	Floor adaptor for Post 150 mm (5.91")
3 200.12980	Wall Post Shim 3.2 mm (1/8")
3 200.12985	Wall Post Shim 6.4 mm (1/4")
4 000.03660	Anchor HSL M8/20 (to fix spacer on Wall Post)



COMPATIBILITY WITH CEILING LIFTS

CEILING LIFTS	COMPATIBILITY
Maxi Sky 440	•
Maxi Sky 2 Series(C-Stat)	•
Maxi Sky 2 Series (ECS)	•
Maxi Sky 1000 (C-Stat)	
Maxi Sky 1000 (ECS)	
Maxi Sky 2 Plus Series	

SAFE WORKING LOAD (SWL)

WEIGHT	COMPATIBILITY
200 kg (440 lb)	•
272 kg (600 lb)	•
454 kg (1000 lb)	



Wall post/Side mounted

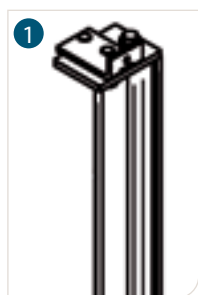
Wall fixation method when above ceiling is inaccessible or sloped

LAYOUT EXAMPLE



PART NUMBER

ARTICLE #	DESCRIPTION
1 700.12910	Wall Post Side Mounted 3000 mm (118")
2 225.12915	Floor adaptor for Post 150 mm (5.91")
3 200.12980	Wall Post Shim 3.2 mm (1/8")
3 200.12985	Wall Post Shim 6.4 mm (1/4")
4 000.03660	Anchor HSL M8/20 (to fix spacer on Wall Post)
5 700.11220	Track "T" Junction bracket



COMPATIBILITY WITH CEILING LIFTS

CEILING LIFTS	COMPATIBILITY
Maxi Sky 440	•
Maxi Sky 2 Series(C-Stat)	•
Maxi Sky 2 Series (ECS)	•
Maxi Sky 1000 (C-Stat)	
Maxi Sky 1000 (ECS)	
Maxi Sky 2 Plus Series	

SAFE WORKING LOAD (SWL)

WEIGHT	COMPATIBILITY
200 kg (440 lb)	•
272 kg (600 lb)	•
454 kg (1000 lb)	



Wall mount

Wall fixation method for concrete, bricks or wooden studs

LAYOUT EXAMPLE



PART NUMBER

ARTICLE #	DESCRIPTION
1 204-00007	Wall mount support
2 200-11287	Wall mount rail cap
3 200-11282	Wall mount shim



COMPATIBILITY WITH CEILING LIFTS

CEILING LIFTS	COMPATIBILITY
Maxi Sky 440	•
Maxi Sky 2 Series(C-Stat)	•
Maxi Sky 2 Series (ECS)	•
Maxi Sky 1000 (C-Stat)	
Maxi Sky 1000 (ECS)	
Maxi Sky 2 Plus Series	

SAFE WORKING LOAD (SWL)

WEIGHT	COMPATIBILITY
200 kg (440 lb)	•
272 kg (600 lb)	•
454 kg (1000 lb)	



Wall mount

Wall fixation method for steel studs with drywall

LAYOUT EXAMPLE



PART NUMBER

ARTICLE #	DESCRIPTION
250-12814	KWKltrak 90 drilled, 3000 mm
250-12816	KWKltrak 90 drilled, 4000 mm
250-12817	KWKltrak 90 drilled, 6000 mm
000-11002	Toggler anchor M6
000-03229	Button head M6 x 60 mm bolt
200-11016	Face cap for H90 KWIKtrak 4000 mm
200-11282	Wall mount shim

Note:
Solution availability may vary depending on your country/
region.

COMPATIBILITY WITH CEILING LIFTS

CEILING LIFTS	COMPATIBILITY
Maxi Sky 440	•
Maxi Sky 2 Series	•
Maxi Sky 1000 (C-Stat)	
Maxi Sky 1000 (ECS)	
Maxi Sky 2 Plus Series	

SAFE WORKING LOAD (SWL)

WEIGHT	COMPATIBILITY
200 kg (440 lb)	•
272 kg (600 lb)	
454 kg (1000 lb)	



Close-up of the trolley for portable hoist inside the moving track, and the X-Y trolley.



View of the fasteners



Page intentionally left blank



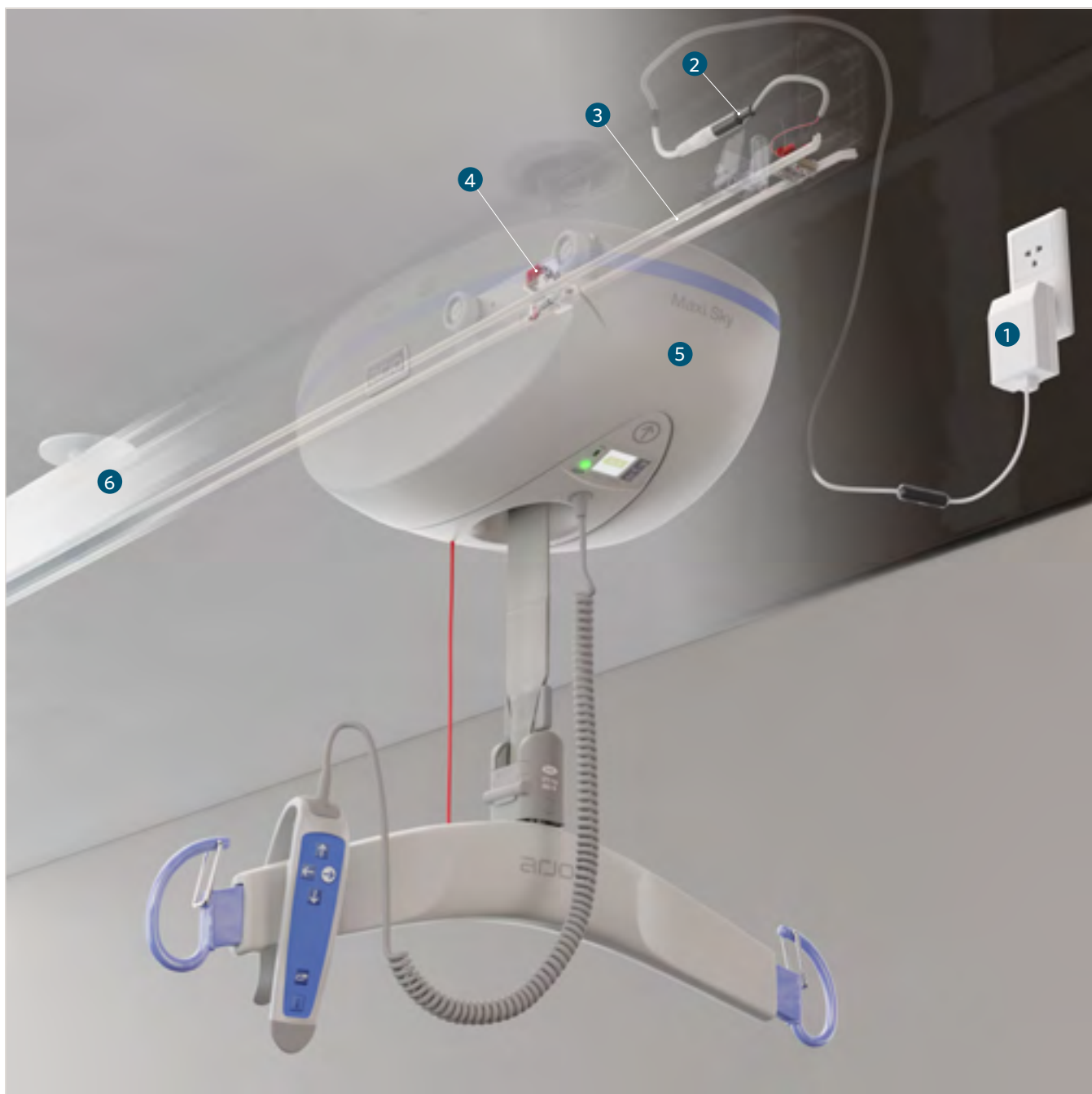
Enhanced Charging System (ECS)

Charge anywhere along the track layout

Anatomy of the ECS

The Enhanced Charging System (ECS) rail system allows the ceiling lift to charge anywhere it is left on the tracking layout. It eliminates the user to return the ceiling lift to the charger following the patient transfer. Within 15 seconds of releasing a button on the handset, the ceiling lift will commence topping up it's battery energy.

KEY FEATURES



1 Power supply

2 End of track wire kit

3 ECS strips

4 ECS contact

5 Maxi Sky 2

The ECS system is available as an option with Maxi Sky 2, Maxi Sky 2 IC, Maxi Sky 2 Plus and Maxi Sky 1000.

6 KWIKtrak rails

The ECS system is compatible with the complete KWIKtrak rails system, including the Gate system

PART NUMBERS

ARTICLE #	DESCRIPTION
1 200-07676	ECS contact strip 25 m (82')
1 200-07675	ECS contact strip 50 m (164')
1 200.07665	ECS contact strip 100 m (228')
2 700-07654	ECS end of track wire kit
3 700.07651	ECS end cap assembly
4 700-11228	Wiring Kit ECS to ECS
5 700-11227	Wiring Kit ECS to Charging station
6 700-07652	ECS end of track kit
7 700-15760	ECS Gate ramps kit
700-11075	Wiring kit ECS to Charging station (454kg X-Y)
700-11080	Wiring kit ECS to ECS (454kg X-Y)

For an exhaustive list, refer to document:
KWIKtrak ECS System - Installation Instructions #001.07650



COMPATIBILITY WITH CEILING LIFTS

CEILING LIFTS	COMPATIBILITY
Maxi Sky 440	
Maxi Sky 2 Series	•
Maxi Sky 1000	•
Maxi Sky 2 Plus Series	•

COMPATIBILITY W/ TRACK LAYOUT AND ACCESSORIES

CEILING LIFTS	COMPATIBILITY
Linear	•
Linear with curves	•
X-Y system	•
X-Y System with Gate	•
Turntable	
Exchanger	
Curtain jump	

Page intentionally left blank



Competitor and legacy tracks compatibility

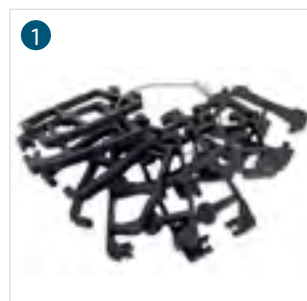
Use your Maxi Sky 2 on other tracking systems

Over the years, Arjo developed various solutions that allow some of our ceiling lifts to be installed on competitor or legacy tracks.

The replacement of our legacy products or products from the competition represents an important opportunity for the group, but it also brings different challenges that require a specific process to ensure we provide the right advices and solutions to our customers.

PART NUMBERS

	ARTICLE #	DESCRIPTION
1	005-05011	CLT Profile matching kit (Americas)
1	005-05012	CLT Profile matching kit (Rest of the world)



COMPATIBILITY WITH CEILING LIFTS

CEILING LIFTS	COMPATIBILITY
Maxi Sky 440	●
Maxi Sky 2 Series	○
Maxi Sky 1000	
Maxi Sky 2 Plus Series	

SAFE WORKING LOAD (SWL)

WEIGHT	COMPATIBILITY
200 kg (440 lb)	●
272 kg (600 lb)	●
454 kg (1000 lb)	

COMPETITOR & LEGACY TRACK COMPATIBILITIES

This table shows the compatibility between Arjo Maxi Sky 2 and Maxi Sky 440 ceiling lifts, and our legacy or competitors tracking systems.

TRACKING TYPES		A	B	D	E	G	L	M	N	P	Q	R	S	T	W	V
TRACKING FEATURES																
	Standard	•	•	•	•	•	•	•	•	•	•	•	•	•	•	•
	Recessed	•	•	•	•	•	•	•	•	•	•	•	•	•	•	•
	Embedded	•	•	•	•	•	•	•	•	N/A	•	•	•	•	•	•
	Straight layout	•	•	•	•	•	•	•	•	•	•	•	•	•	•	•
	Curved layout	•	•	N/A	•	•	•	•	•	•	•	•	•	•	•	N/A
ACCESSORIES																
	X-Y system	•	•	•	•	•	•	•	N/A	N/A	•	•	•	•	•	•
	Gate	No ceiling lift solution available														
	Turntable	No ceiling lift solution available														
	Exchanger	No ceiling lift solution available														
	Curtain jump	No ceiling lift solution available														

• = Available
N/A = Not available

LETTER	TRACKING TYPE NAME
A	Arjo UK / Bravo track
B	BHM Old type / Joarns UK
D	Arjo UK / Bravo track
E	Arjo UK / Bianca track
G	GTM / Bravo track
L	Liko (Hill-Rom)
M	Marka
N	Innomedic

LETTER	TRACKING TYPE NAME
P	Paramedic
Q	Guldmann (NEW) GH3 type
R	Guldmann (OLD) GH2 type / Joerns USA
S	Guldmann (OLD) GH2 type Midi / Joerns USA
T	Tollos (T.H.E.)
U	Tollos (T.H.E.) - Long span
V	Prism (Waverly Glen) Super track for long spans
W	Prism (Waverly Glen)

Notes:

-Refer to your local Ceiling Lift project team to better guide you on a ceiling lift solution for the Competitor and Legacy devices that may be available in your region.
-For more information about WCS, ECS and C-Stat, please refer to the Charging methods section.

Page intentionally left blank

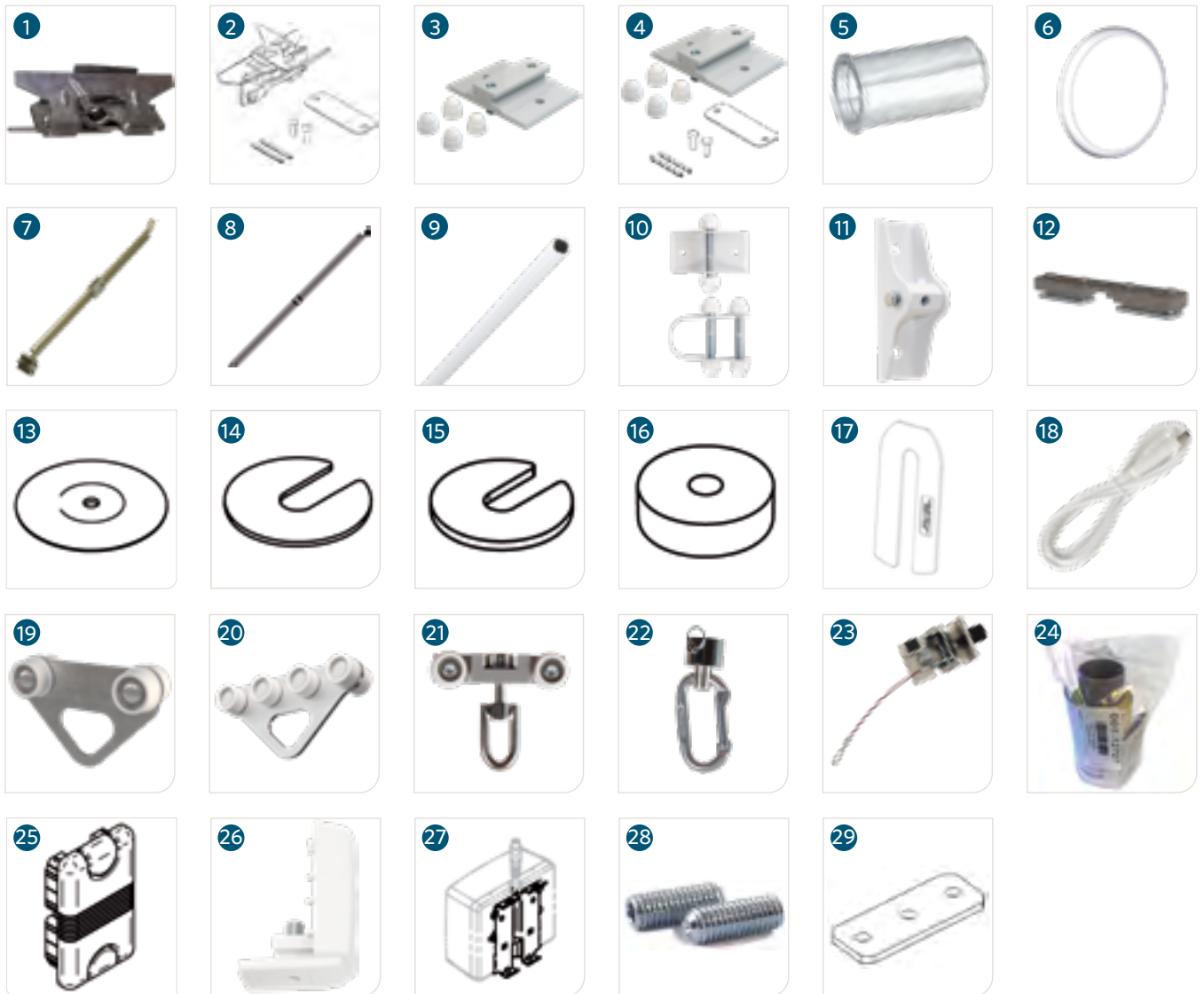
Installation components



TRACKING COMPONENTS

ARTICLE #	DESCRIPTION
1 700.11100	KWIKtrak bracket
2 700.11105	KWIKtrak joint bracket
3 700.11204	KWIKtrak bracket 454 kg (1000 lb)
4 700.XXXXX	KWIKtrak joint bracket 454 kg (1000 lb)
5 204-00007	Wall mount insert
6 200-11287	Wall mount insert cap
7 700.11350	Adjustable Lateral Brace (standard)
8 700.11360	Adjustable Lateral Brace (long)
9 200.12970	Threaded rod cover tubing
10 700.11380	Visible Lateral Brace (Rod cover tubing required)
11 700.11370	Cathedral Ceiling Bracket
12 700-16950	Track bracket for curtain gap (272 kg)
13 200.11140	100 mm Ceiling Plate
14 200.11150	KWIKtrak Bracket Shim 1.5 mm

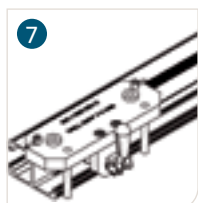
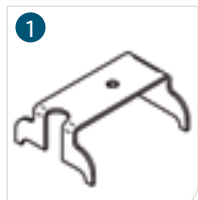
15 200.11160	KWIKtrak Bracket Shim 3 mm
16 200.11170	KWIKtrak Bracket Shim 12 mm
17 200-11282	Wall mount shim 3 mm
18 402.15508	Charger extension 2.5 DC 2000 mm (79")
19 700.10650	Trolley for portable lifts/KWIKtrak and Easytrack
20 700-10660	Trolley for portable lifts for curtain gap
21 700.10620	Swivel trolley for portable track lift
22 700.10950	Swivel adaptor for portable
23 700.11005	KWIKtrak autolock track stopper
24 001-12727	Mirror Strip Kit 6m (19.7')
25 200.11060	Endcap
26 700.07651	ECS Endcap
27 225.15540	Paint contact box plate
28 000.04585	Setscrew M12 x 35
29 203-11267	Clamping plate



ARJO TOOLS

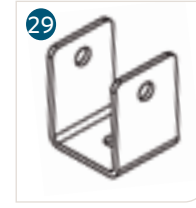
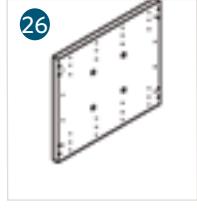
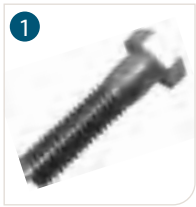
ARTICLE #	DESCRIPTION
1 005.00010	Curve alignment tool / Laser support PM-22
2 005.00055	Punch adaptor 42 in HDI 3/8
3 005.11090	Tool for Pressure Nut
4 005.11100	Lock-Unlock Tool
5 005.11110	Bracket Removing Tool
6 005.11120	Spring Pin Tool
7 005.11505	Drilling jig for KWIKtrak gate boxes

8 700-11515	DF Blocker drilling jig (for gate installation)
9 700-12805	Wall mount drilling jig
10 700-07679	ECS strip cleaner
11 005-07671	ECS strip holder
12 005-07672	ECS strip snapping tool
13 005-07677	ECS voltmeter
14 225-31284	Alignment Plate (Plate for braket positions)



INSTALLATION HARDWARE

ARTICLE #	DESCRIPTION IMPERIAL	ARTICLE #	DESCRIPTION METRIC
1	000.00357 Screw 3/8-16 X 1 Hex Zinc	000.04090	Screw M10 X 25 Hex Zinc
1	000.00380 3/8-16 X 1 1/2 Hex Bolt	000-00390	Screw M10 X 40 Hex Zinc
1	000.00381 Screw 3/8-16 X 2 Hex Zinc	000.04270	Screw M10 X 50 Hex Zinc
1	000.00385 Screw 3/8-16 X 2 1/2 Hex Zinc	000.04290	Screw M10 X 60 Hex Zinc
1	000.00386 Screw 3/8-16 X 3 Hex Zinc	000.04295	Screw M10 X 75 Hex Zinc
2	000.00394 Threaded Rod 3/8-16 X 10' Zinc	000.04385	Threaded Rod M10 X3m Zinc 4.8
3	000.00398 Plastic Cap 3/8-16 Bolt White	000.04420	White Plastic Cap M10 - Screw
4	000.00402 Locknut Stover 3/8-16 Zinc	000.04416	Locknut Stover M10 Zinc
5	000.00405 Nut 3/8-16 Zinc	000.04400	Nut M10 Zinc
6	000.00410 Coupling Nut 3/8-16 Zinc	000.04388	Coupling Nut M10 Zinc 4.8
7	000.00412 Beam Clamp 3/8" Plain	000.04355	Mab 11 M10
8	000.00423 Anchor Drop-In 3/8 Hdi	000.04356	Concrete Anchor Hkd-E M10 X 40
9	000.00424 Strut Saddle Nut 3/8-16	000.04357	Strut Saddle Nut M10
10	000.00425 Lockwasher 3/8 Zinc Plated Steel	000.04425	Split Lockwasher M10 Zinc, 2.2mm
11	000.00426 Strut, Nut Mqm-F 3/8"	000.04358	Strut Nut M10
12	000.00428 Concrete Anchor Hdi-P 3/8-16	000-00419	Hkd M10 X 25
13	000.00500 Beam Clamp 1-5/8"	000.04360	Mqt 21-41
13	000.00505 Beam Clamp 2-7/16" X 3-1/4"	000.04361	Strut Beam Clamp Mqt 41-82
14	000.00660 Gypsum Anchor M6	000.00660	Gypsum Anchor M6
15	000.00680 Wood Screw #10 x 2 1/2	000-00681	Evz Vk-Sppls T-St 3,5 x 60mm
16	000.00699 Lag Bolt 3/8 x 2 Hex Zinc	000.04383	Lag Bolt M10 x 50 Hex Zinc
16	000.00740 Lag Bolt 3/8 x 4 Hex Zinc	000.04389	Lag Bolt M10 x 100 Hex Zinc
16	000.00741 Lag Bolt 3/8 x 6 Hex Zinc	000.04386	Lag Bolt M10 x 150 Hex Zinc
17	000.00810 Spring Pin 1/8 x 1 1/2 Zinc	000.00810	Spring Pin 3 x 38mm
18	000.01205 Strut 13/16 x 10' White	000-01206	Strut Mq-21 x 3m White
18	000.01230 Strut 1 5/8 x 10'	000.04363	Strut Mq-41 x 3m
18	000.01235 Strut 1 5/8 x 10' White	000-01237	Strut Mq-41 x 3m - White
18	000.01238 Strut 2 7/16 x 10'	000.04365	Strut Mq-72 x3m
19	000.01460 Chem Anchor Screen 3/8 x 3 3/8	000.04366	Chem Anchor Screen Hit-S16 x 85
20	000-03667 Expansion Anchor KBTZ 3/8x3-3/4	000-03661	Hst Stud Anchor M10 x 90
21	700.11090 Pressure Nut 3/8-16 For Gypsum	700.11095	Pressure Nut M10 For Gypsum
22	225.11384 3-Point Fixation Plate 3/8-16	225.11382	3-Point Fixation Plate M10
ARTICLE #	DESCRIPTION		
23	000.01215 White Cap For Strut 13/16		
23	000.01217 White Cap For Strut 1 5/8		
24	001.11095 Pressure Nut Foldable 3/8		
25	000.00490 Strut Tie		
26	200.11194 Joint Panel Engineering Joist 14" x 16"		
27	200.11191 Wood Beam Bracket		
28	212.11193 Roof Truss Bracket Pivot		
29	212.11192 Roof Truss Support Bracket		
30	225-31284 Alignment Plate		
31	225.01260 White Access Panel 460mm x 460mm (18" x 18")		
32	000.04430 Flat Washer 10mm Id/20mm Od Zinc		
32	000.04875 Flat Washer 12mm Id/32mm Od Zinc		
33	E0265 Panduit		
34	000.04435 Tab washer M10		
35	000-11002 Toggler ancher M6		
36	000-03229 M6 screw button head 60mm long		



Page intentionally left blank

Portable tracking solutions



Page intentionally left blank



Semi-Permanent KWIKtrak



Semi-permanent rack



X-Y Semi-permanent rack

Easytrack FS



Easytrack FS

Easytrack Pressure fit



2-Post



3-Post with pivoting track



Easytrack 4-Post X-Y gantry



2-Post with bath adaptor



3-post with bath adaptor

Wall bracket



2 wall brackets



3 wall brackets with pivoting track

Combination



1-Post with a wall bracket



2-Post with wall bracket and pivoting track

Page intentionally left blank



Semi-permanent rack (2-Posts)

Portable non-permanent track system

USAGE EXAMPLE

Suitable for use with fixed ceiling lifts, our Semi-permanent rack is the ideal solution for temporary yet portable heavy duty lifting.

The Semi-permanent rack in this configuration allows for lifting all along the track and can offer a lifting capacity up to 454kg (1000 lb).



PRODUCT INFORMATION

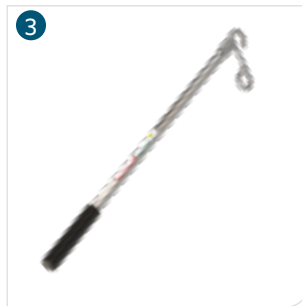
GENERAL	
Weight capacity	Up to 454 kg (1000 lb), depending on the span
Weight	Posts: 16.5 kg (36.5 lb) Base: 10 kg (22 lb) each Total: 53 kg (117 lb) each
Material	Tracks: Aluminium Hardware: Steel, plastic

MAXIMUM KWIKTRAK VS. CAPACITY AND TRACK SIZE

DEVICE CAPACITY	MAXIMUM DISTANCE BETWEEN POSTS		
	90 MM (3 1/2") TRACK HEIGHT	140 MM (5 1/2") TRACK HEIGHT	180 MM (7") TRACK HEIGHT
200 kg (440 lb)	3000 mm (118")	4500 mm (177")	6000 mm (236")
272 kg (600 lb)	N/A	3500 mm (138")	4500 mm (177")
454 kg (1000 lb)	N/A	N/A	3500 mm (138")

COMMON PARTS

ARTICLE #	DESCRIPTION
1 700.11900	Semi-permanent rack KWIKtrak (KWIKtrak track not included)
2 700.10650	Trolley for portable lifts/Easytrack FS
3 700-08310	Reacher 610 mm (24")
3 700-08320	Reacher 910 mm (36")
4 200.12810	KWIKtrak track 90 mm Straight 3000 mm (118")
4 250.12810	KWIKtrak track 90mm Straight 3000 mm (118"), Machined end
5 200-12872	KWIKtrak track 140 mm Straight 3500 mm (138")
5 200.12870	KWIKtrak track 140 mm Straight 4500 mm (177")
5 250.12871	KWIKtrak track 140mm Straight 4500mm (177"), Machined end
6 200.12882	KWIKtrak track 180 mm Straight 3500 mm (138")
6 200.12884	KWIKtrak track 180 mm Straight 4500 mm (177")
6 200.12880	KWIKtrak track 180 mm Straight 6000 mm (236")
6 250.12881	KWIKtrak 180mm Straight 6000mm (236"), Machined end



PRODUCT DIMENSION



DEVICE CAPACITY	MAXIMUM DISTANCE BETWEEN POSTS		
	90 MM (3 1/2") TRACK HEIGHT	140 MM (5 1/2") TRACK HEIGHT	180 MM (7") TRACK HEIGHT
200 kg (440 lb)	3000 mm (118")	4500 mm (177")	6000 mm (236")
272 kg (600 lb)	N/A	3500 mm (138")	4500 mm (177")
454 kg (1000 lb)	N/A	N/A	3500 mm (138")



X-Y Semi-permanent rack (4-Posts)

Portable non-permanent track system

USAGE EXAMPLE

The KWIKtrak X-Y semi-permanent rack is a robust free standing room covering system with the capacity to handle everything including your bariatric lifting tasks.



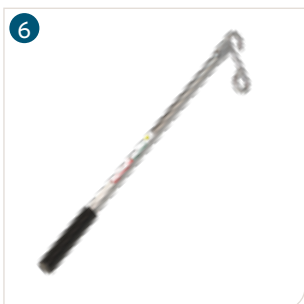
PRODUCT INFORMATION

GENERAL	
Weight capacity	Up to 272 kg (600 lb), depending on the span
Material	Tracks: Aluminium Hardware: Steel, plastic

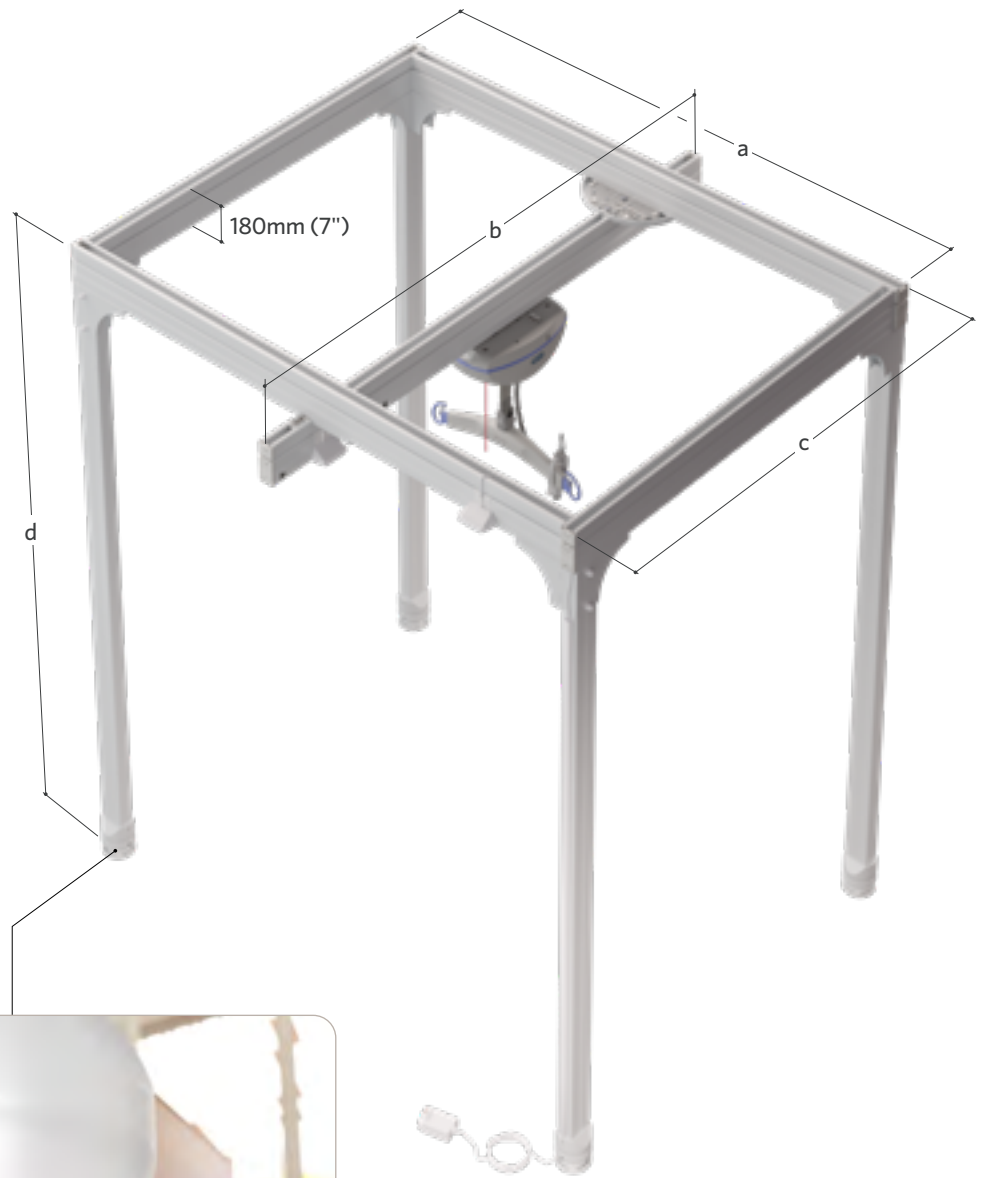
COMMON PARTS

ARTICLE #	DESCRIPTION
1 9903030	Semi-permanent X-Y rack KWIKtrak 3000 mm x 3000 mm (118" x 118")
1 9903045	Semi-permanent X-Y rack KWIKtrak 3000 mm x 4500 mm (118" x 177")
1 9903530	Semi-permanent X-Y rack KWIKtrak 3500 mm x 3000 mm (138" x 118")
1 9903535	Semi-permanent X-Y rack KWIKtrak 3500 mm x 3500 mm (138" x 138")
1 9904545	Semi-permanent X-Y rack KWIKtrak 4500 mm x 4500 mm (177" x 177")
2 700-09001-BOX	Adjustable legs (4 pieces) (Included in 990xxxx)
3 700-11225	Universal X-Y trolley 272 kg (600 lb) (Included in 990xxxx)
4 700-11241	Contact blade adaptor for X-Y (Not included in 990xxxx)
5 700.10650	Trolley for portable lifts/Easytrack FS
6 700-08310	Reacher 610 mm (24")
6 700-08320	Reacher 910 mm (36")

Note: The lifting device, charging components and lifting accessories are not included in the 990xxxx. Order these elements if necessary, depending on the chosen lifting device and charging option.



PRODUCT DIMENSION



The legs height can be independently adjusted to level the track system

ARTICLE #	MEASURE A	MEASURE B	MEASURE C	MEASURE D
9903030	3000 mm (118')	3000 mm (118')	Approximatively 0.5 m less than measure B	Screwed leg: 2418 mm (95 1/4") Unscrewed leg: 2443 mm (96 1/4")
9903045	3000 mm (118')	4500 mm (177')		
9903530	3500 mm (138')	3000 mm (118')		
9903535	3500 mm (138')	3500 mm (138')		
9904545	4500 mm (177')	4500 mm (177')		



Easytrack FS

Portable free standing track system, for portable ceiling lifts

USAGE EXAMPLE

The revolutionary track lift system Easytrack® FS brings the safety and convenience of a track lift transfer into almost any room. It is easy to use, easy to transport and easy to set up.



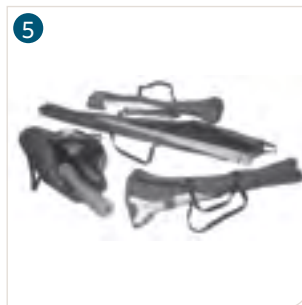
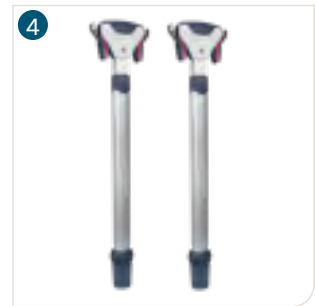
PRODUCT INFORMATION

GENERAL	
Weight capacity	200 kg (440 lb)
Total weight	45 kg (98 lb)

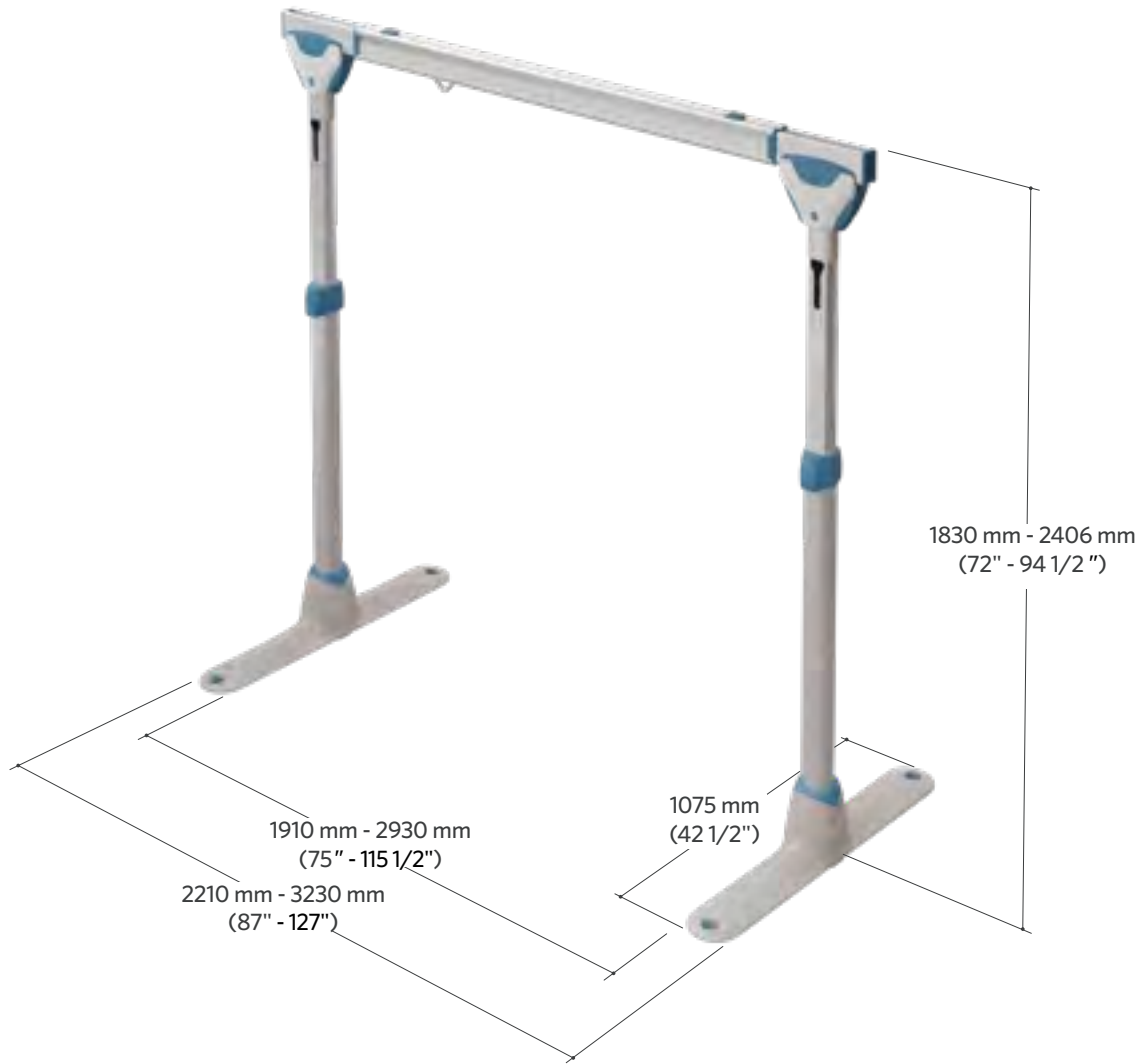
COMMON PARTS

ARTICLE #	DESCRIPTION
1 9720010	Easytrack FS - for portable ceiling lifts (Ceiling lift sold separately)
2 9720090	Easytrack FS - for reps (Ceiling lift sold separately) (Fixed cassette)
3 700.17100	Easytrack FS Base - 2 bases
4 700.17000	Easytrack FS Base - 2 posts
5 002.17010	Protective kit
6 700.17250	Extendable track with trolley 3000 mm (118")
7 700.17500	MaxiKart (Ceiling lifts & EasyTrack FS sold separately)

For an exhaustive list, refer to document:
Easytrack FS and Easytrack FS Rep #001.17350



PRODUCT DIMENSION





Easytrack 2 posts

Pressure fit system, for portable ceiling lifts

USAGE EXAMPLE

The Easytrack® is a pressure fit system requiring no permanent installation. This system allows for vertical transfers. It can be installed above a bed because of the track wide range.



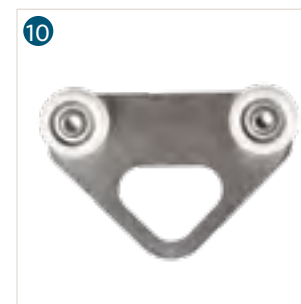
PRODUCT INFORMATION

GENERAL

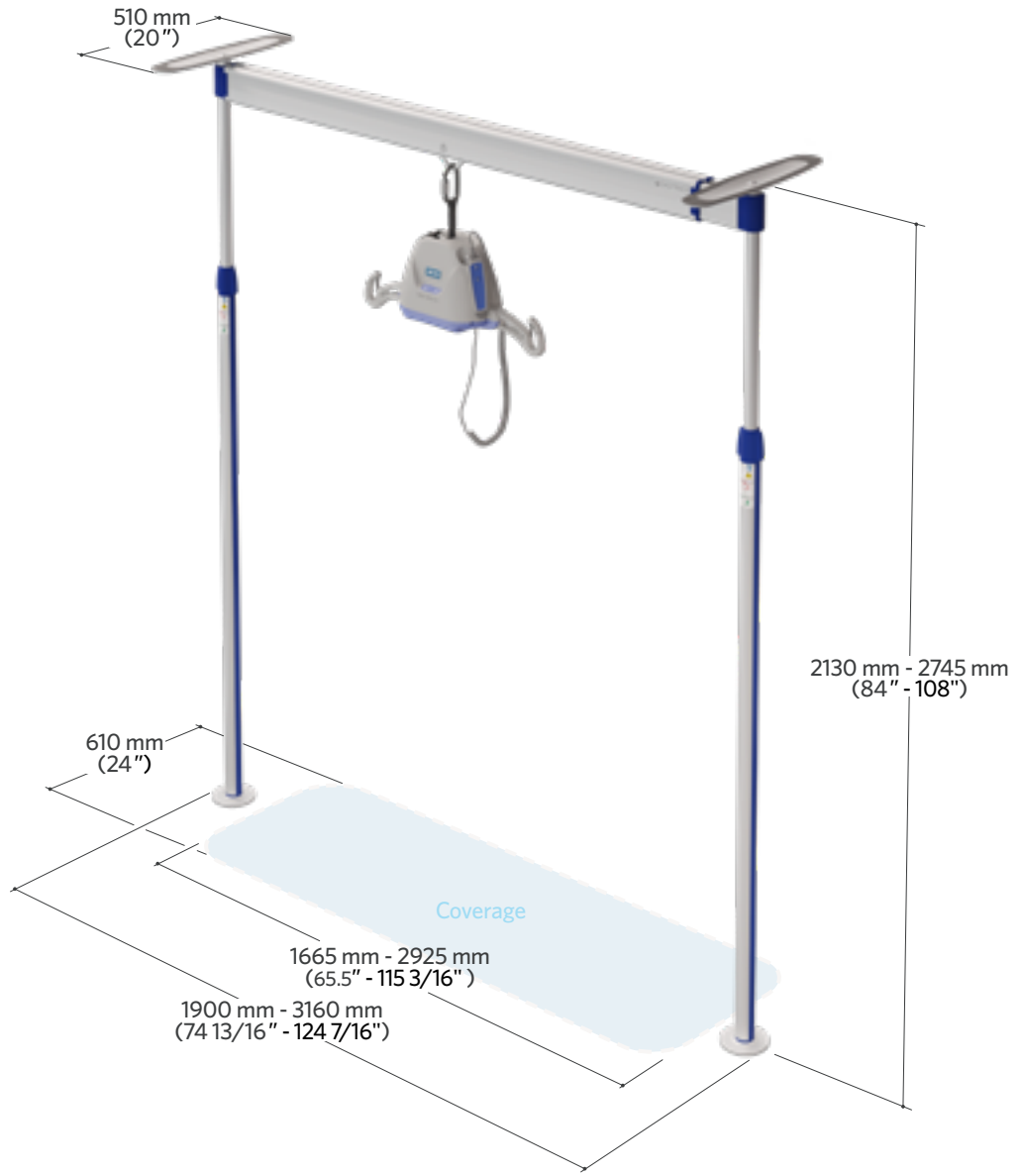
Lifting capacity	200 kg (440 lb)
Weight	20 kg (44 lb)
Material	Aluminium
Ceiling plate	510 mm (20")
Floor plate	120 mm (4.8")
Compliant with:	ISO 10535:2006

COMMON PARTS

ARTICLE #	DESCRIPTION
1 9220010	Easytrack - 2 Post (Ceiling lift sold separately)
2 700.10720	Extendable track & standard trolley 1300-1900 mm (52-75")
2 700.10750	Extendable track & standard trolley 3000 mm (118")
3 700.10500	Standard post
4 700.10230	Post strip (2 pieces)
5 700.10350	Round foot plate for post
6 700.10600	Clip-on level
7 700.10400	Top plate
8 200.10720	Easytrack end cap
9 000.03280	Allen key 6mm
10 700.10650	Track trolley
11 002.10450	Easytrack transport bag



PRODUCT DIMENSION





Easytrack 3 posts

Pressure fit system with pivoting track, for portable ceiling lifts

USAGE EXAMPLE

The Easytrack is a pressure fit system requiring no permanent installation.

When using the 3 posts configuration with a pivoting track, the variation of the Easytrack system enables for straight line lifting within the transfer area generated by the pivoting track.



PRODUCT INFORMATION

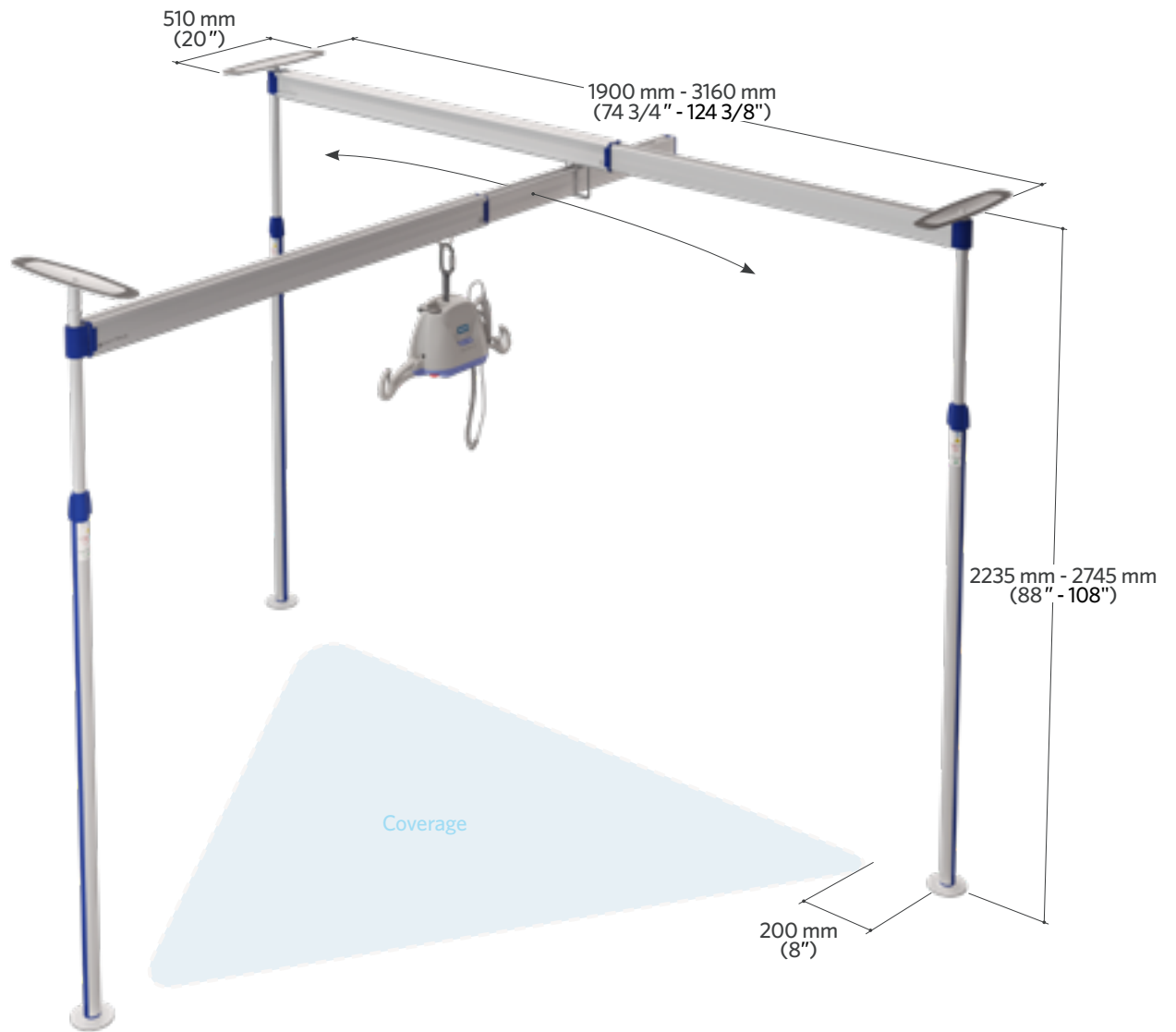
GENERAL	
Lifting capacity	200 kg (440 lb)
Weight	42.5 kg (93.5 lb)
Material	Aluminium
Ceiling plate	510 mm (20")
Floor plate	120 mm (4.8")
Compliant with:	ISO 10535:2006

COMMON PARTS

ARTICLE #	DESCRIPTION
1 9330010	Easytrack - 3 Post (Ceiling lift sold separately)
2 700.10850	Pivoting extendable track 3000 mm (118 in) & trolley
3 700.10800	Extendable track 3000 mm (118 in) & swivel trolley
4 700.10455	Pivoting post assembly
5 700.10560	Pivoting hooking tube assembly
6 700.10500	Standard post
7 200.10720	Round endcap
8 000.03280	Allen key 6mm
9 700.10600	Clip-on level
10 700.10400	Top plate for post
11 700.10350	Round foot plate for post
12 700.10230	Plastic post strip (2 pieces)
13 200.11050	End cap
14 200.10780	Protector for track
15 700.10720	Extendable track 1300-1900 mm (52-75") & trolley
16 002.10450	Easytrack transport bag
17 700-08310	Reacher - 610 mm (24")
17 700-08320	Reacher - 910 mm (36")



PRODUCT DIMENSION





Easytrack 4 posts X-Y Gantry

Pressure fit system, for portable ceiling lifts

USAGE EXAMPLE

The Easytrack is a pressure fit system requiring no permanent installation.

The 4 posts configuration with moving 3rd track of the Easytrack system works on two X-Y axes while optimizing lifting options anywhere within the transfer area.



PRODUCT INFORMATION

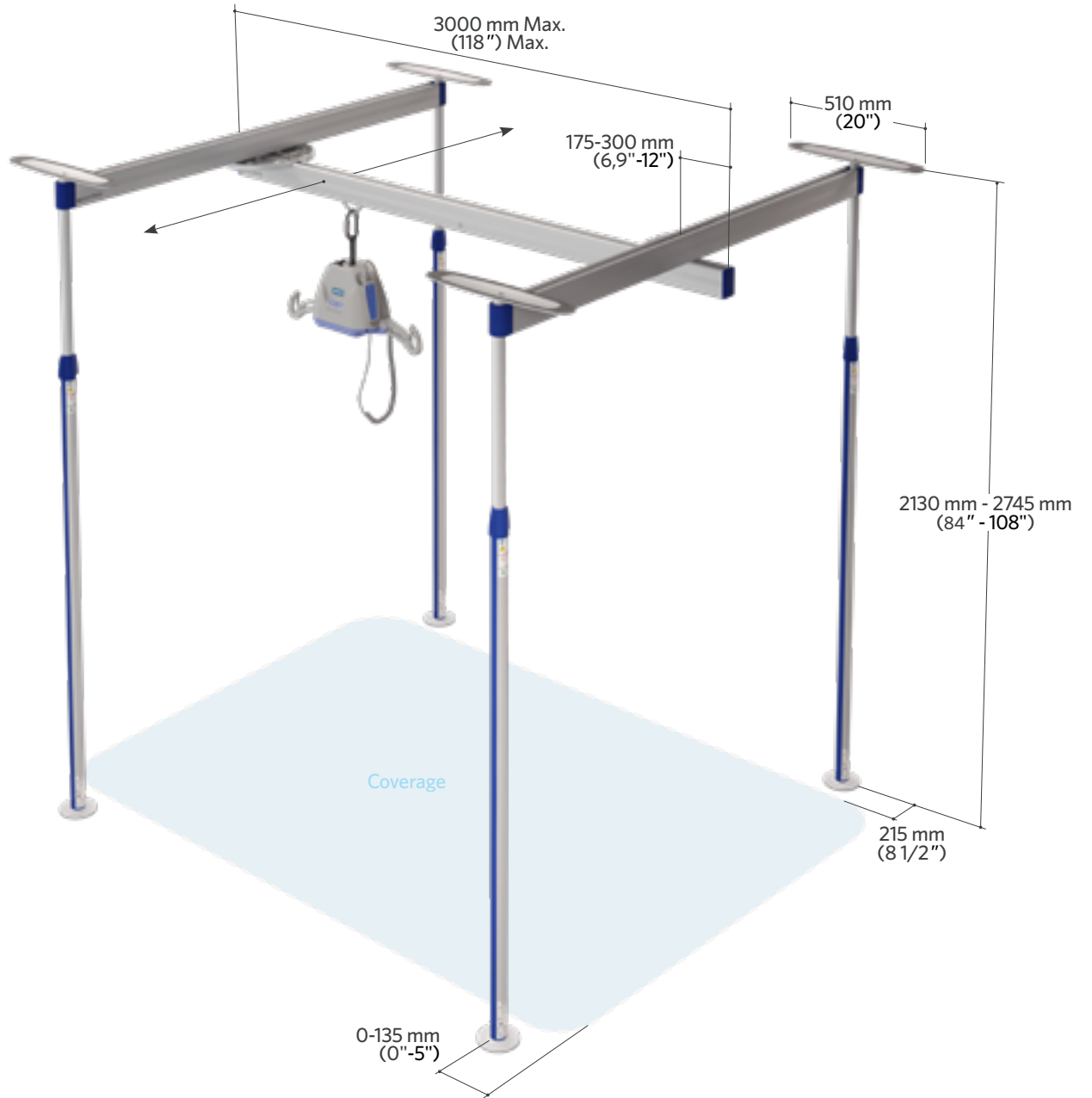
GENERAL	
Lifting capacity	200 kg (440 lb)
Weight	57 kg (125 lb)
Material	Aluminium
Ceiling plate	510 mm (20")
Floor plate	120 mm (4.8")
Compliant with:	ISO 10535:2006

COMMON PARTS

ARTICLE #	DESCRIPTION
1 9440030	Easytrack - 4 Post (Ceiling lift sold separately)
2 700.10250	X-Y Tracks 3000 mm (118")
3 700.11005	KWIKtrak autolock track stopper
4 700.10650	Trolley for portable lifts/Easytrack
5 200.11050	Endcap
6 700-11225	X-Y mobile trolley
7 200.10730	Drilling JIG for track hook
8 700.10600	Clip-on level
9 203.03280	Allen key 6mm
9 203.02505	Allen key 4mm
10 200.10720	Round endcap
11 700.10400	Top plate for post
12 700.10350	Round foot plate for post
13 700.10230	Post strip (2 pieces)
14 700.10500	Standard post
15 700-08310	Reacher - 610 mm (24")
15 700-08320	Reacher - 910 mm (36")
16 002.10450	Easytrack transport bag (Custom bags are required if tracks are greater than 1830 mm (72 in))



PRODUCT DIMENSION





Easytrack 2 posts system with a bath adaptor

Pressure fit system, for portable ceiling lifts

USAGE EXAMPLE

The Easytrack is a pressure fit system requiring no permanent installation.

By using the 2 posts configuration with a bath adaptor, it is possible to perform lifting from a wheelchair to the bath. This variation of the Easytrack system allows for straight line transfers directly underneath the track. Other versatile options are available such as 2 posts, 3 posts, 4 posts and wall bracket configurations.



PRODUCT INFORMATION

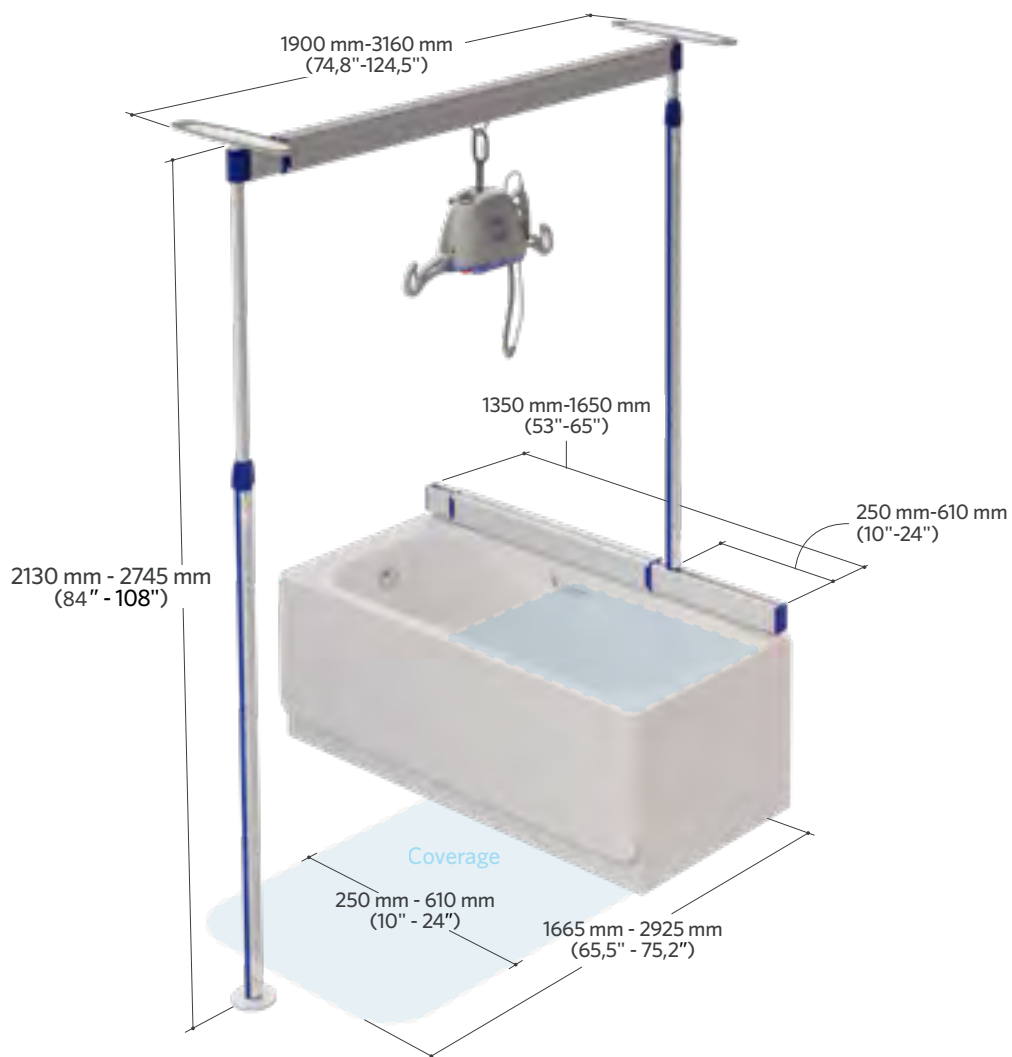
GENERAL	
Lifting capacity	200 kg (440 lb)
Weight	42.5 kg (93.5 lb)
Material	Aluminium
Ceiling plate	510 mm (20")
Floor plate	120 mm (4.8")
Compliant with:	ISO 10535:2006

COMMON PARTS

ARTICLE #	DESCRIPTION
1 9220110	Easytrack - 2 posts & bath adaptor
2 700.10880	Bath adaptor
3 700.10750	Extendable track 3000 mm (118") & trolley
4 700.10455	Pivoting post assembly
5 700.10500	Standard post
6 200.10720	Round end cap
7 700.10600	Clip-on level
8 700.10400	Top plate for post
9 700.10350	Round foot plate for post
10 700.10230	Post strip (2 pieces)
11 000.03280	Allen key 6mm
12 700.10720	Extendable track 1300-1900 mm (52-75") & trolley
13 002.10450	Easytrack transport bag
14 700-08310	Reacher - 610 mm (24")
14 700-08320	Reacher - 910 mm (36")



PRODUCT DIMENSION





Easytrack 3 post system with bath adaptor

Pressure fit system with pivoting track, for portable ceiling lifts

USAGE EXAMPLE

The Easytrack is a pressure fit system requiring no permanent installation.

By using the 3 posts configuration with a pivoting 3rd track and a bath adaptor, it is possible to perform lifting from a wheelchair to a bath and to the toilet. This variation of the Easytrack system allows for straight line transfers within the transfer area generated by the pivoting 3rd track. Other versatile options are available such as 2 posts, 3 posts, 4 posts and wall bracket configurations.



PRODUCT INFORMATION

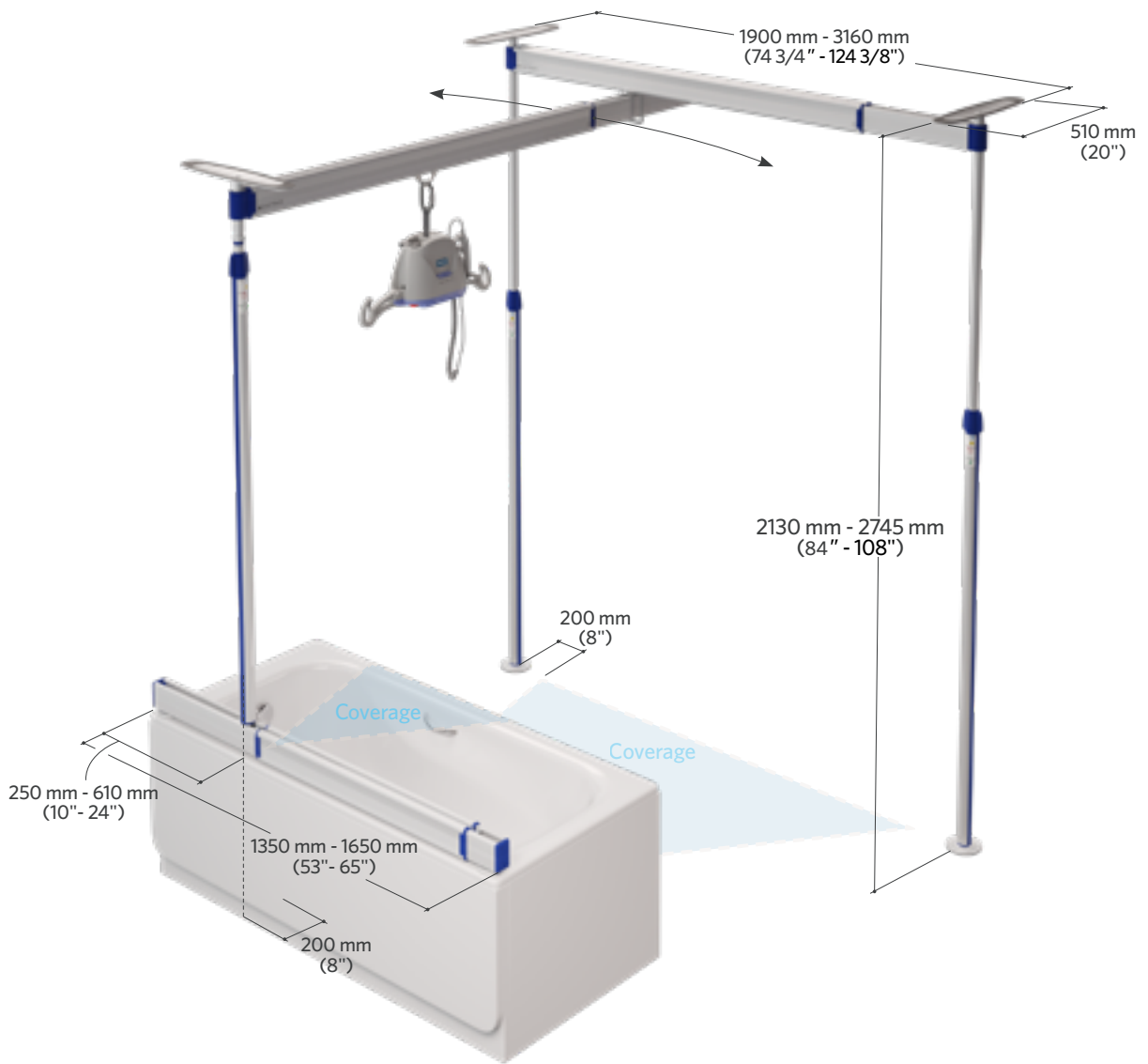
GENERAL	
Lifting capacity	200 kg (440 lb)
Weight	42.5 kg (93.5 lb)
Material	Aluminium
Ceiling plate	510 mm (20")
Floor plate	120 mm (4.8")
Compliant with:	ISO 10535:2006

COMMON PARTS

ARTICLE #	DESCRIPTION
1 9330110	Easytrack - 3 posts & bath adaptor
2 700.10880	Bath adaptor
3 700.10750	Extendable track 3000 mm (118") & trolley
4 700.10250	X-Y Tracks 3000 mm (118")
5 700.10500	Standard post
6 700.10455	Pivoting post assembly
7 200.10720	Round end cap
8 000.03280	Allen key 6mm
9 700.10600	Clip-on level
10 700.10400	Top plate for post
11 700.10350	Round foot plate for post
12 700.10230	Post strip (2 pieces)
13 700.11005	KWIKtrak autolock track stopper
14 700.10720	Extendable track 1300-1900 mm (52-75") & trolley
15 002.10450	Easytrack transport bag
16 700-08310	Reacher - 610 mm (24")
16 700-08320	Reacher - 910 mm (36")



PRODUCT DIMENSION





Easytrack 2 wall brackets

Wall mounting system with wall bracket combination, for portable ceiling lifts

USAGE EXAMPLE

In this option, there are two wall brackets which support a track thus permitting lifting all along this track. Easytrack can also be fastened to the wall in various configurations.



PRODUCT INFORMATION

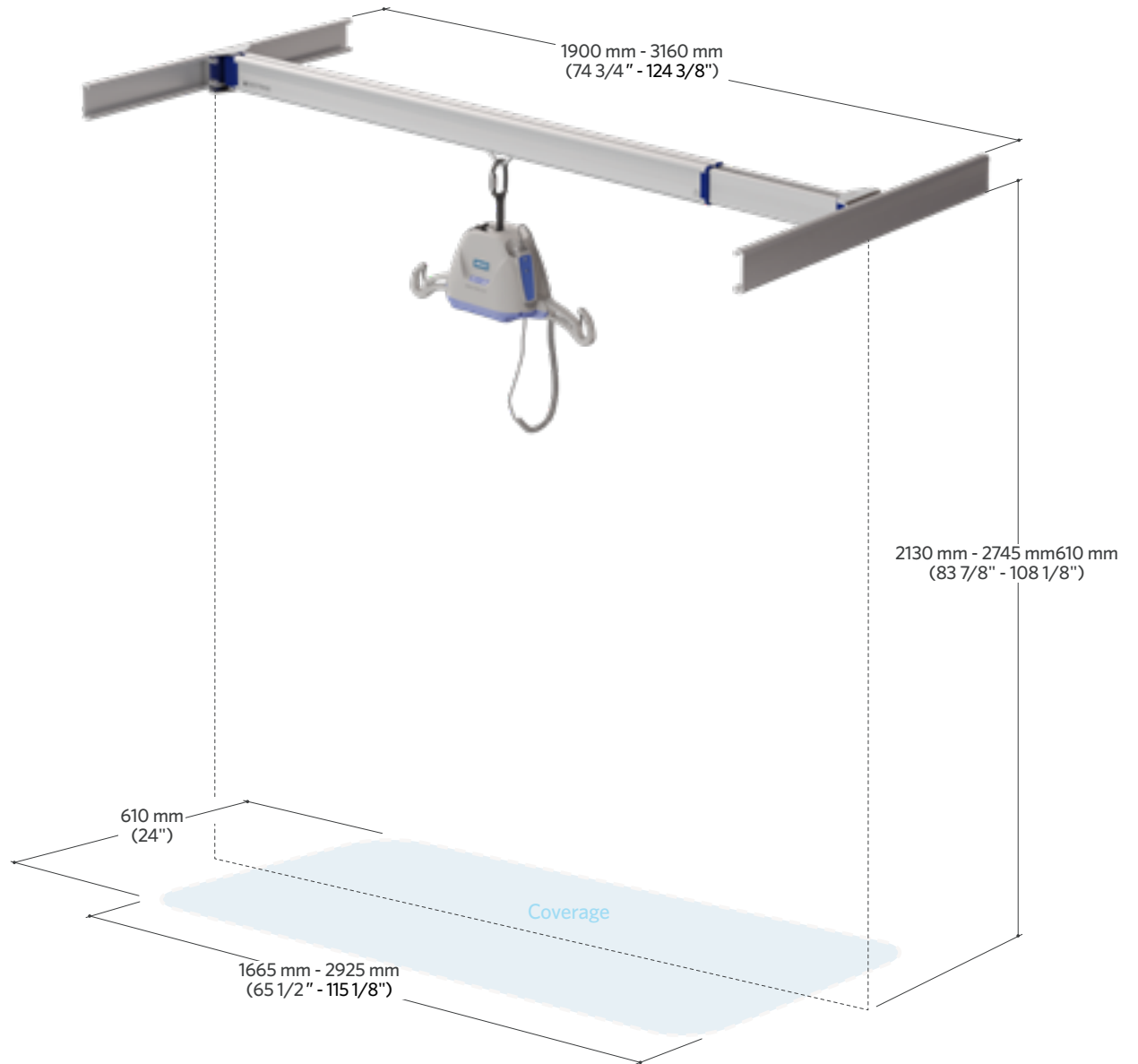
GENERAL	
Lifting capacity	200 kg (440 lb)
Weight	42.5 kg (93.5 lb)
Material	Aluminium
Ceiling plate	510 mm (20")
Floor plate	120 mm (4.8")
Compliant with:	ISO 10535:2006

COMMON PARTS

ARTICLE #	DESCRIPTION
1 9202010	Easytrack - 2 wall brackets
2 700.10750	Extendable track 3000 mm (118") & trolley
3 000.03280	Allen key 6mm
4 700.10860	Wall bracket kit - 1000 mm (39")
5 700.10720	Extendable track 1300-1900 mm (52-75") & trolley
6 002.10450	Easytrack transport bag
7 700-08310	Reacher - 610 mm (24")
7 700-08320	Reacher - 910 mm (36")



PRODUCT DIMENSION





Easytrack 3 wall brackets

Wall mounting system combined at three locations with pivoting track, for portable ceiling lifts

USAGE EXAMPLE

Ceiling not suitable for a pressure fit mounting ?

Easytrack can also be fastened to the wall in various configurations like this three wall brackets system with a pivoting 2nd track for greater room covering.

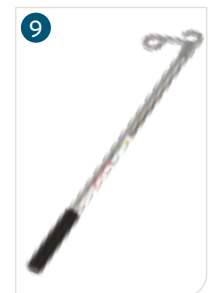
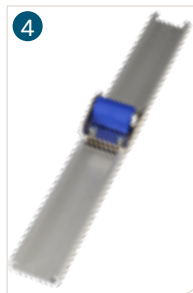
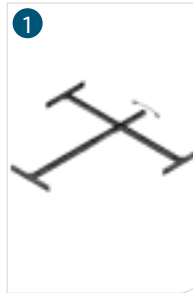


PRODUCT INFORMATION

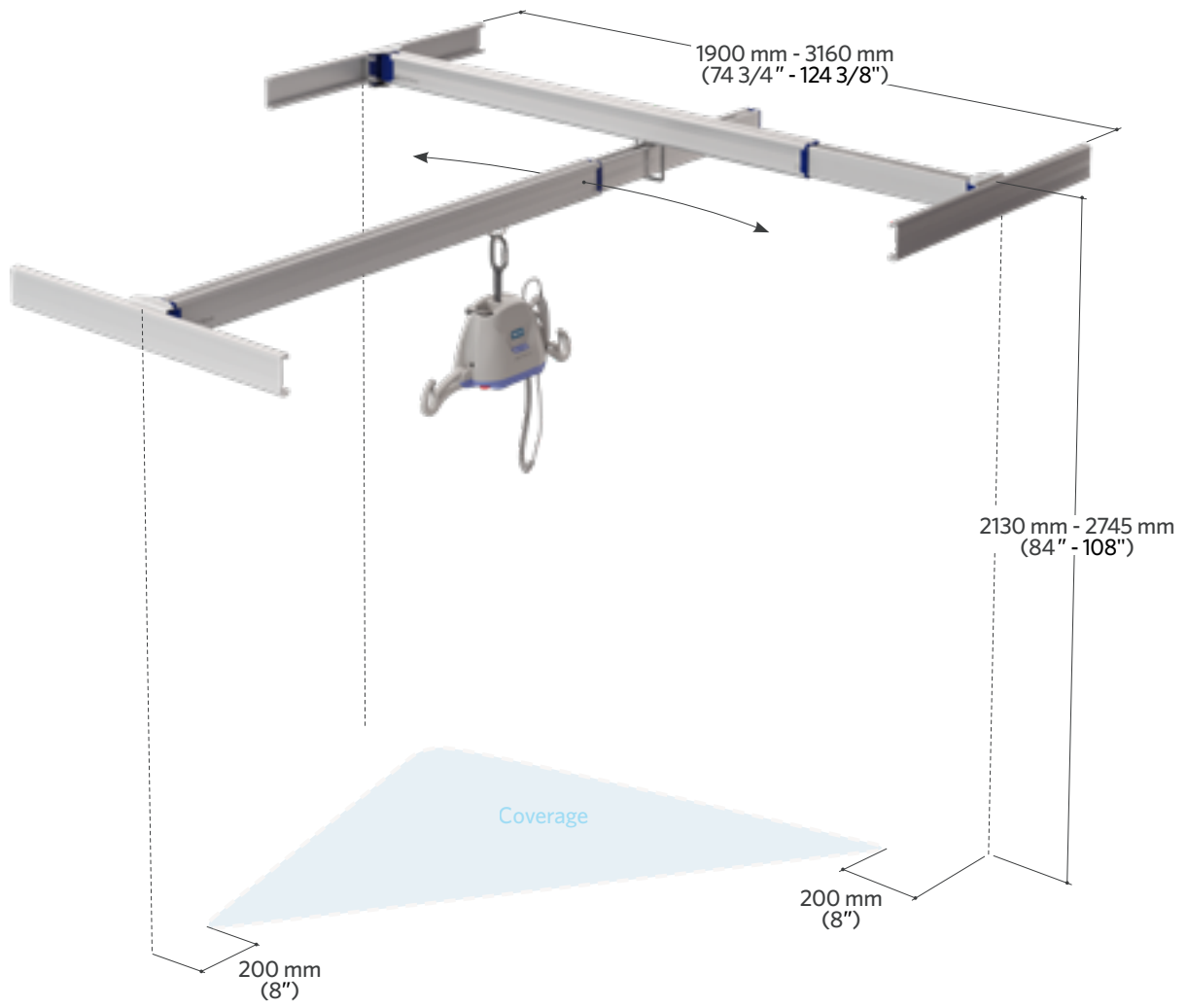
GENERAL	
Lifting capacity	200 kg (440 lb)
Weight	42.5 kg (93.5 lb)
Material	Aluminium
Ceiling plate	510 mm (20")
Floor plate	120 mm (4.8")
Compliant with:	ISO 10535:2006

COMMON PARTS

ARTICLE #	DESCRIPTION
1 9303010	Easytrack - 3 wall brackets
2 700.10850	Pivoting extendable track 3000 mm (118") & trolley
3 700.10800	Extendable track 3000 mm (118") & swivel trolley
4 700.10860	Wall bracket kit - 1000 mm (39")
5 700.10720	Extendable track 1300-1900 mm (52-75") & trolley
6 002.10450	Easytrack transport bag
7 000.03280	Allen key 6mm
8 700.11005	KWIKtrak autolock track stopper
9 700-08310	Reacher - 610 mm (24")
9 700-08320	Reacher - 910 mm (36")



PRODUCT DIMENSION





Easytrack 1 post with wall bracket

Pressure fit system with wall bracket combined with one post, for portable ceiling lifts

USAGE EXAMPLE

This combination allows to securely anchor a wall bracket on one side and a pressure fitted post on the other where anchoring is not possible.

Other versatile options are available such as 3 post, 4 post, bath tub adaptor and wall bracket configurations



PRODUCT INFORMATION

GENERAL	
Lifting capacity	200 kg (440 lb)
Weight	20 kg (44 lb)
Material	Aluminium
Ceiling plate	510 mm (20")
Floor plate	120 mm (4.8")
Compliant with:	ISO 10535:2006

COMMON PARTS

ARTICLE #	DESCRIPTION
1 9211010	Easytrack - 1 Post + 1 Wall bracket
2 700.10750	Extendable track 3000 mm (118") & trolley
3 700.10860	Wall bracket kit - 1000 mm (39")
4 700.10500	Standard post
5 700.10650	Trolley for portable lifts/Easytrack
6 200.10720	Round end cap
7 700.10600	Clip-on level
8 700.10400	Top plate for post
9 700.10350	Round foot plate for post
10 700.10230	Post strip (2 pieces)
11 000.03280	Allen key 6mm
11 203.02505	Allen key 4mm
12 002.10450	Easytrack transport bag
13 700.10720	Extendable track 1300-1900 mm (52-75") & trolley
14 700-08310	Reacher - 610 mm (24")
14 700-08320	Reacher - 910 mm (36")



PRODUCT DIMENSION





Easytrack 2 posts with wall bracket

Pressure fit system with wall bracket combined with two posts and pivoting track, for portable ceiling lifts.

USAGE EXAMPLE

The combination allows to securely anchor a wall bracket on one side and a pressure fitted posts on the other where anchoring is not possible.

Other versatile options are available such as 2 post, 3 post, 4 post and bath tub adaptor configurations.



PRODUCT INFORMATION

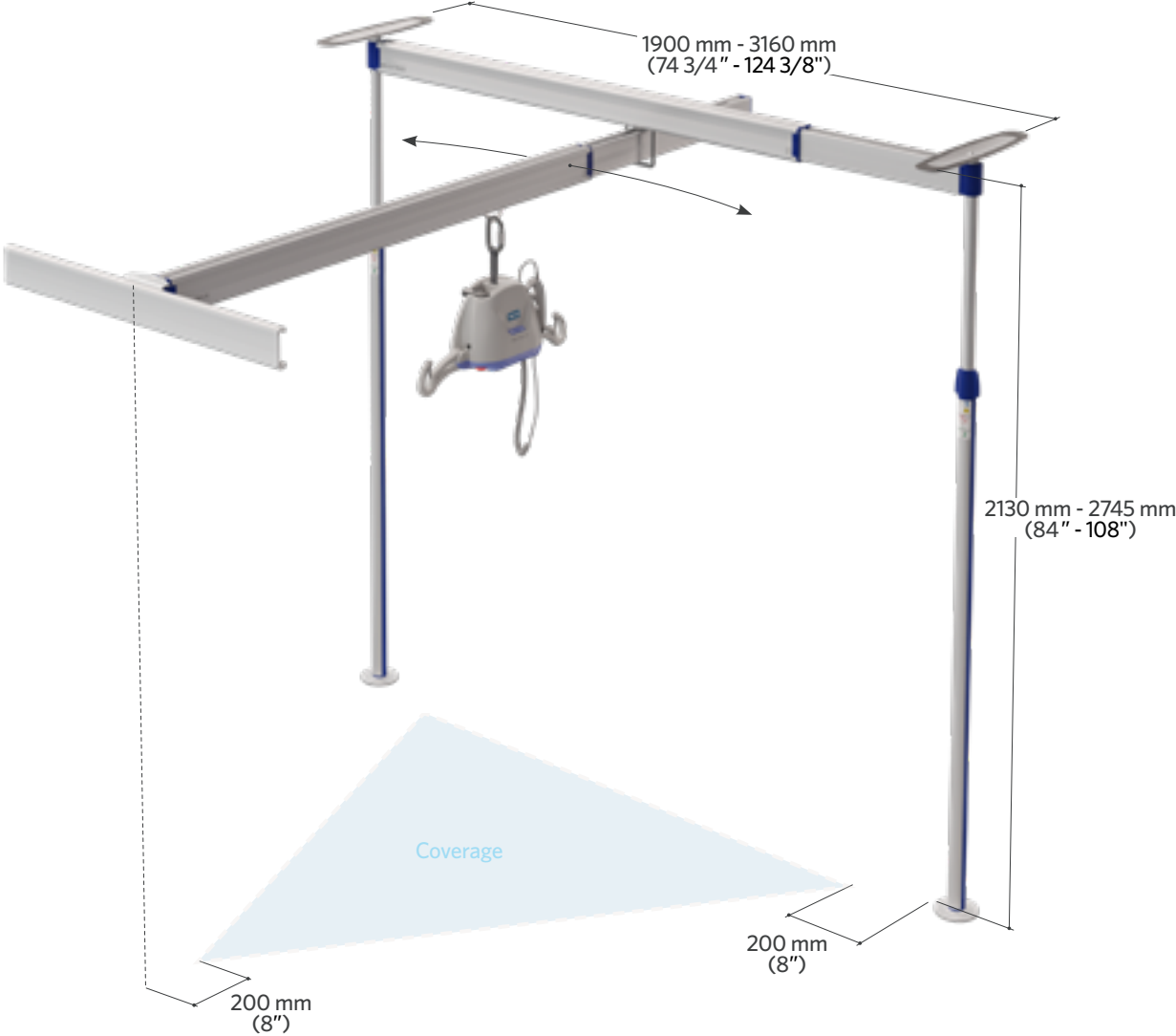
GENERAL	
Lifting capacity	200 kg (440 lb)
Weight	42.5 kg (93.5 lb)
Material	Aluminium
Ceiling plate	510 mm (20")
Floor plate	120 mm (4.8")
Compliant with:	ISO 10535:2006

COMMON PARTS

ARTICLE #	DESCRIPTION
1 9321010	Easytrack - 2 posts and 1 wall bracket
2 700.10850	Pivoting extendable track 3000 mm (118") & trolley
3 700.10800	Extendable track 3000 mm (118") & swivel trolley
4 700.10860	Wall bracket kit - 1000 mm (39")
5 700.10500	Standard post
6 200.10720	Round end cap
7 000.03280	Allen key 6mm
8 700.10600	Clip-on level
9 700.10400	Top plate for post
10 700.10350	Round foot plate for post
11 700.10230	Post strip (2 pieces)
12 200.11050	End cap
13 700.11005	KWIKtrak autolock track stopper
14 700-08310	Reacher - 610 mm (24")
14 700-08320	Reacher - 910 mm (36")
15 700.10720	Extendable track 1300-1900 mm (52-75") & trolley
16 002.10450	Easytrack transport bag



PRODUCT DIMENSION



[Page intentionally left blank]



Accessories

Page intentionally left blank

Maxi Carts



Page intentionally left blank

OVERVIEW

The Arjo Maxi Carts are designed to support caregivers by reducing the amount of manual lifts within care facilities.



Maxi Cart 2 (for spreader bars)



Maxi Cart 440



Maxi Cart for Maxi Sky 2

MAXI CART FOR MAXI SKY 2 SERIES



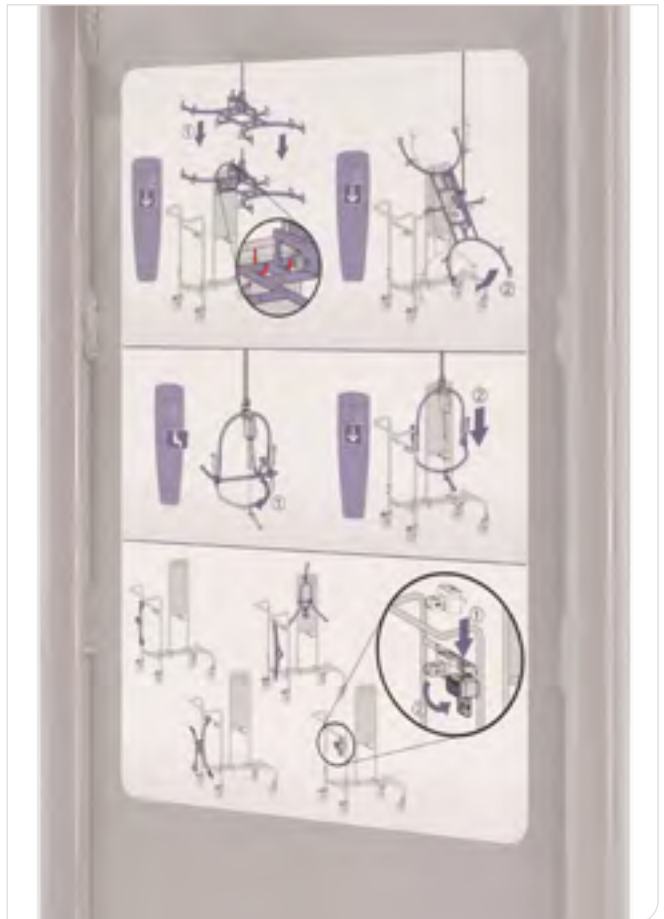
Maxi Sky 2 Series control panel and its color LCD, reflected in the sticker with a mirror effect allowing to see the battery status.



Straps to secure the ladder (ladder not included)



MAXI CART 2 (FOR SPREADER BARS)



MAXI CART 440



Storage for Maxi Sky 440



Back wheels with brakes



Reacher in its holder

PART NUMBERS

ARTICLE #	DESCRIPTION
1 MCA0002	Maxi Cart 2 (for spreader bars)
2 MCA0001	Maxi Cart 440
3 MCA0004	Maxi Cart for Maxi Sky 2



SPARE PARTS FOR MAXI CART 440

ARTICLE #	DESCRIPTION
92503672	Base frame
92503673	Supporting bracket
92503674	Handle components
92503890	Locate the fork components

SPARE PARTS FOR MAXI CART 440 & MAXI CART FOR MS2

ARTICLE #	DESCRIPTION
92503675	Base frame
92503676	Handle components
92503677	Place the component
93050683	Charger basket component
93090832	Plastic basin
93030130	Castor (no lock)
93030131	Castor (with lock)
94003014	Allen pan head screws M8x20

PRODUCT DIMENSION

Maxi Cart for Maxi Sky 2 Series



PRODUCT DIMENSION

Maxi Cart 2 (for spreader bars)



PRODUCT DIMENSION

Maxi Cart 440



Privacy curtain solutions



Page intentionally left blank



Swivel pole for curtain

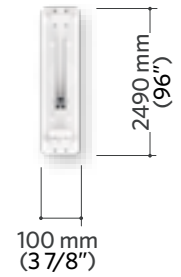
Systems for privacy and for separation of areas

PART NUMBERS

	ARTICLE #	DESCRIPTION
1	700.12000	Swivel pole for curtain (Curtain not included)
2	700.12032	Ceiling bracket for curtain pole
	200.11460	Extrusion 2,2 m (55" x 90") White



PRODUCT DIMENSION



Miscellaneous



Wall hooks



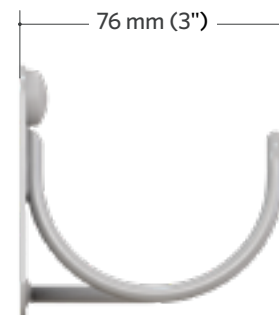
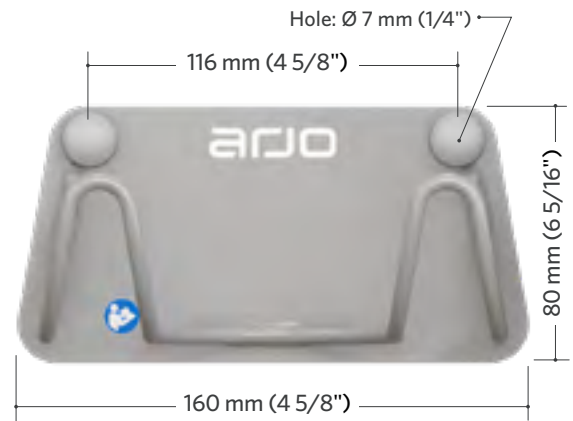
This storage system keeps the equipment close at hand while reducing space requirements.

PART NUMBERS

ARTICLE #	DESCRIPTION
1 700-05959	Wall support kit (including 4 wall protective plates)
2 200-05952	Wall protective plate (1 pc)



PRODUCT DIMENSION



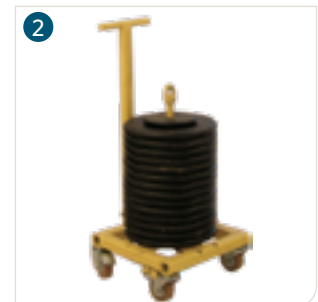
Weight load test

This set of weights makes it possible to verify that each installation of tracks meets the standards for load support.



PART NUMBERS

	ARTICLE #	DESCRIPTION
1	700.12560	Empty trolley - for Load Test
2	700.12530	Trolley + 11 discs/272kg (600 lb)
2	700.12500	Trolley + 14 discs/340kg (750 lb)
3	001.12725.33	SWL label for track





Appendix

Portal for architects and planners

We've talked to architects across the globe to find out more about their process, and how we can support them. The result is the online Arjo Guide for Architects and Planners.

Global experience at a local level

Since 1957, we have been driven by a mission to improve quality of life for people affected by reduced mobility and age-related health challenges.

With products and solutions that ensure ergonomic patient handling, personal hygiene, disinfection, and the prevention of pressure injury and venous thromboembolism, we help professionals across care environments to continually raise the standard of safe and dignified care. Today, we are recognized as a global partner, providing products and services to over 100 countries worldwide.

Your partner in facility design

We have a long history of collaborating closely with architects, nursing home executives, safe patient handling experts, residents and relatives. Our experience has taught us that to create efficient care facilities and to obtain a good working environment, the right combination of environment, equipment and care skills are needed. Therefore it is key to design for sufficient space early in the planning of a new facility

Optimising care facilities

Planning a care facility is about planning for the future, and will impact both the efficiency and quality of care and the work environment for the caregivers.

We base our work on our Positive Eight™ philosophy and starts with the combination of environment, equipment and care skills.

We have also developed The Mobility Gallery™, a validated risk assessment tool based on five personas and their levels of functional mobility

The importance of right space

Our experience has taught us that to create efficient care facilities and to obtain a good working environment, equipment and care skills are needed.

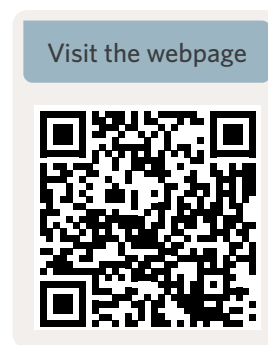
Therefore it is key to design for sufficient space early in the planning of a new facility.

BIM objects

Dozens of 3D BIM Revit format files are available for download, ready for use.

How to access it ?

All architects and people from Arjo can request an access, here:



<https://www.Arjo.com/int/solutions/architects-and-planners/>

Metric conversions and equivalents

The Metric Conversion Act of 1975, as amended by the Omnibus Trade and Competitiveness Act of 1988, establishes the SI (System International) metric system as the preferred system of measurement in the United States for trade and commerce.

Many products are currently manufactured and supplied in SI or “hard” metric sizes such as anchor bolts of 10 mm, 12 mm, etc. Where the inch-pound system is given or used, “soft” metric conversion can sometimes be used (but specifically not when selecting critical to only use the specified Imperial or Metric diameter bit).





The soft conversion diameters for anchor bolts is given by Table 1. Standard metric conversion factors commonly used for fastening products are given in Tables 2 & 3.

IMPERIAL SYSTEM	HARD METRIC	SOFT METRIC
Inch	mm	mm
1/4	6.35	6
5/16	7.94	8
3/8	9.52	10
1/2	12.70	12
5/8	15.88	16
3/4	19.05	20
1	25.40	25
1-1/4	31.75	32

TO CONVERT	INTO	MULTIPLY BY
Length		
inch (in.)	millimeter (mm)	25.4
foot (ft)	meter (m)	0.3048
Area		
square inch (in ²)	square millimeter (mm ²)	645.16
square inch (in ²)	square centimeter (cm ²)	6.4516
square foot (ft ²)	square meter (m ²)	0.0929
Volume		
cubic inch (in ³)	cubic centimeter (cm ³)	16.3871
cubic foot (ft ³)	cubic meter (m ³)	0.0283
gallon (US gal)	liter (L)	3.7854
Force		
pound force (lbf)	newton (N)	4.4482
pound force (lbf)	kilonewton (kN)	0.0044
Pressure		
pound/square inch (psi)	newton/square millimeter (N/mm ²)	0.0069
pound/square inch (psi)	mega pascal (MPa)	0.0069
KIP/square inch (ksi)	mega pascal (MPa)	6.8946
pound/square foot (psf)	newton/square meter (N/m ²)	47.8801
Torque or Bending Moment		
pound-force inch (ft-lbs)	newton meter (N/m)	1.3558
pound-force foot (lbf-ft)	newton meter (N/m)	0.1130
Diaphragm Shear		
pounds/ lineal foot (plf)	newton/meter (N/m)	14.5939

TO CONVERT	INTO	MULTIPLY BY
Length		
millimeter (mm)	inch (in.)	0.0394
meter (m)	foot (ft)	3.2808
Area		
square millimeter (mm ²)	square inch (in ²)	0.0016
square centimeter (cm ²)	square inch (in ²)	0.1550
square meter (m ²)	square foot (ft ²)	10.7639
Volume		
cubic centimeter (cm ³)	cubic inch (in ³)	0.0610
cubic meter (m ³)	cubic foot (ft ³)	35.3147
liter (L)	gallon (US gal)	0.2642
Force		
newton (N)	pound force (lbf)	0.2248
kilonewton (kN)	pound force (lbf)	224.8089
Pressure		
newton/square millimeter (N/mm ²)	pound/square inch (psi)	145.0400
mega pascal (MPa)	pound/square inch (psi)	145.0400
mega pascal (MPa)	KIP/square inch (ksi)	0.1450
newton/square meter (N/m ²)	pounds/square foot (psf)	0.0209
Torque or Bending Moment		
newton meter (N/m)	foot pound (ft-lbs)	0.7376
newton meter (N/m)	inch pound (in-lbs)	8.8496
Diaphragm Shear		
newton/meter (N/m)	pounds/ lineal foot (plf)	0.0685

Glossary

TERMS/ACRONYMS/SYMBOLS	DESCRIPTION
MISCELLANEOUS	
Augmented Reality (AR)	Augmented Reality is an interactive experience of a real-world environment where the objects that reside in the real world are enhanced by computer-generated perceptual information, sometimes across multiple sensory modalities, including visual, auditory, haptic, somatosensory and olfactory.
Brake force	Force required to stop a moving lift
Infection Control	Infection control is the discipline concerned with preventing nosocomial or healthcare-associated infection.
QR Code	QR codes are two-dimensional barcodes, they often contain data for a locator, identifier, or tracker that points to a website, an application or in this case Augmented Reality models
Rolling force	Force required to push the lift and maintaining its movement
Start force	Force required to push the lift and make it move
SWL	Safe Working Load (SWL) is the maximum safe force that a piece of lifting equipment, lifting device or accessory can exert to lift, suspend, or lower, a given mass without fear of breaking.
	These symbols show the available sizes for the corresponding slings
	Washable sling
	Wipeable sling
	Disposable sling
STANDARDS	
AAMI	The AAMI standards program consists of over 100 technical committees and working groups that produce Standards, Recommended Practices, and Technical Information Reports for medical devices. Standards and Recommended Practices represent a national consensus and many have been approved by the American National Standards Institute (ANSI) as American National Standards.
ANSI	The American National Standards Institute (ANSI) is a private non-profit organization that oversees the development of voluntary consensus standards for products, services, processes, systems, and personnel in the United States.[3] The organization also coordinates U.S. standards with international standards so that American products can be used worldwide.
DSDC	DSDC is the world leader on the design of services and environments for people with dementia.
IEC 60601	60601 is a widely accepted benchmark for medical electrical equipment and compliance with IEC60601-1 has become a requirement for the commercialisation of electrical medical equipment in many countries.
IEC 60601-1	Requirements of 60601-1 may be overridden or bypassed by specific language in the standards for a particular product.
IP24	Protected against solid objects over 12 mm (e.g. fingers) and against water sprayed from all directions - limited ingress permitted
IPX4	Protection against water sprayed from all directions - limited ingress permitted
IPX7	Protected against the effect of immersion between 15 cm and 1 m
IPX24	Protection against direct sprays of water up to 15° from the vertical and against an impact of 2.0 joules (e.g. 500 g weight falling from 40 cm height)
ISO 10535	ISO 10535 specifies requirements and test methods only for hoists and body-support units intended for the transfer of disabled persons as classified in ISO 9999. The requirements of ISO 10535 are formulated with regard to the needs of both the disabled persons being hoisted and the attendant using the hoist.
Type BF	IEC 60601-1 uses the term applied part to refer to the part of the medical device which come into physical contact with the patient in order for the device to carry out its intended function.. Type BF is generally for devices that have conductive contact with the patient, or having medium or long term contact with the patient.
UL 2601-1	this Standard is primarily concerned with safety, it contains some requirements regarding reliable operation where this is connected with safety.

AUSTRALIA
Arjo Australia
Building B, Level 3
11 Talavera Road
Macquarie Park, NSW, 2113,
Australia
Phone: 1800 072 040

BELGIQUE / BELGIË
Arjo Belgium
Evenbroekveld 16
9420 Erpe-Mere
Phone: +32 (0) 53 60 73 80
Fax: +32 (0) 53 60 73 81
E-mail: info.belgium@arjo.com

BRASIL
Arjo Brasil Equipamentos Médicos Ltda
Rua Marina Ciufuli Zanfelice, 329 PB02
Galpão - Lapa
São Paulo - SP - Brasil
CEP: 05040-000
Phone: 55-11-3588-5088
E-mail: vendas.latam@arjo.com
E-mail: servicios.latam@arjo.com

CANADA
Arjo Canada Inc.
90 Matheson Boulevard West
Suite 350
CA-MISSISSAUGA, ON, L5R 3R3
Tel/Tél: +1 (905) 238-7880
Free: +1 (800) 665-4831
Fax: +1 (905) 238-7881
E-mail: info.canada@arjo.com

ČESKÁ REPUBLIKA
Arjo Czech Republic s.r.o.
Na Strži 1702/65
140 00 Praha
Czech Republic
Phone No: +420225092307
E-mail: info.cz@arjo.com

DANMARK
Arjo A/S
Vassingerødvej 52
DK-3540 LYNGE
Tel: +45 49 13 84 86
Fax: +45 49 13 84 87
E-mail: dk_kundeservice@arjo.com

DEUTSCHLAND
Arjo GmbH
Peter-Sander-Strasse 10
DE-55252 MAINZ-KASTEL
Tel: +49 (0) 6134 186 0
Fax: +49 (0) 6134 186 160
E-mail: info-de@arjo.com

ESPAÑA
ARJO IBERIA S.L.
Poligono Can Salvatella
c/ Cabanyes 1-7
08210 Barberà del Valles
Barcelona - Spain
Telefono 1: +34 900 921 850
Telefono 2: +34 931 315 999

FRANCE
Arjo SAS
2 Avenue Alcide de Gasperi
CS 70133
FR-59436 RONCQ CEDEX
Tél: +33 (0) 3 20 28 13 13
Fax: +33 (0) 3 20 28 13 14
E-mail: info.france@arjo.com

HONG KONG
Arjo Hong Kong Limited
Room 411-414, 4/F, Manhattan Centre,
8 Kwai Cheong Road, Kwai Chung, N.T.,
HONG KONG
Tel: +852 2960 7600
Fax: +852 2960 1711

ITALIA
Arjo Italia S.p.A.
Via Giacomo Peroni 400-402
IT-00131 ROMA
Tel: +39 (0) 6 87426211
Fax: +39 (0) 6 87426222
E-mail: Italy.promo@arjo.com

MIDDLE EAST
Arjo Middle East FZ-LLC
Office 908, 9th Floor,
HQ Building, North Tower,
Dubai Science Park,
Al Barsha South
P.O. Box 11488, Dubai,
United Arab Emirates
Direct +971 487 48053
Fax +971 487 48072
Email: Info.ME@arjo.com

NEDERLAND
Arjo Nederland BV
Biezenwei 21
4004 MB TIEL
Postbus 6116
4000 HC TIEL
Tel: +31 (0) 344 64 08 00
Fax: +31 (0) 344 64 08 85
E-mail: info.nl@arjo.com

NEW ZEALAND
Arjo Ltd
34 Vestey Drive
Mount Wellington
NZ-AUCKLAND 1060
Tel: +64 (0) 9 573 5344
Free Call: 0800 000 151
Fax: +64 (0) 9 573 5384
E-mail: nz.info@Arjo.com

NORGE
Arjo Norway AS
Olaf Helsets vei 5
N-0694 OSLO
Tel: +47 22 08 00 50
Faks: +47 22 08 00 51
E-mail: no.kundeservice@arjo.com

ÖSTERREICH
Arjo Austria GmbH
Lemböckgasse 49 / Stiege A / 4.OG
A-1230 Wien
Tel: +43 1 8 66 56
Fax: +43 1 866 56 7000

POLSKA
Arjo Polska Sp. z o.o.
ul. Ks Piotra Wawrzyniaka 2
PL-62-052 KOMORNIKI (Poznań)
Tel: +48 61 662 15 50
Fax: +48 61 662 15 90
E-mail: arjo@arjo.com

PORTUGAL
Arjo em Portugal
MAQUET Portugal, Lda.
(Distribuidor Exclusivo)
Rua Poeta Bocage n.º 2 - 2G
PT-1600-233 Lisboa
Tel: +351 214 189 815
Fax: +351 214 177 413
E-mail: Portugal@arjo.com

SUISSE / SCHWEIZ
Arjo Switzerland AG
Fabrikstrasse 8
Postfach
CH-4614 HÄGENDORF
Tél/Tel: +41 (0) 61 337 97 77
Fax: +41 (0) 61 311 97 42

SUOMI
Arjo Scandinavia AB
Riihitontuntie 7 C
02200 Espoo
Finland
Puh: +358 9 6824 1260
E-mail: Asiakaspalvelu.finland@arjo.com

SVERIGE
Arjo International HQ
Hans Michelsensgatan 10
SE-211 20 MALMÖ
Tel: +46 (0) 10 494 7760
Fax: +46 (0) 10 494 7761
E-mail: kundservice@arjo.com

UNITED KINGDOM
Arjo UK and Ireland
Houghton Hall Park
Houghton Regis
UK-DUNSTABLE LU5 5XF
Tel: +44 (0) 1582 745 700
Fax: +44 (0) 1582 745 745
E-mail: sales.admin@arjo.com

USA
Arjo Inc.
2349 W Lake Street Suite 250
US-Addison, IL 60101
Tel: +1 (630) 307-2756
Free: +1 (800) 323-1245
Fax: +1 (630) 307 6195
E-mail: us.info@arjo.com

JAPAN
Arjo Japan K.K.
東京都港区虎ノ門三丁目7番8号
ランディック第2 虎ノ門ビル9階
Tel: +81 (0)3-6435-6401
Fax: +81 (0)3-6435-6402
E-mail: info.japan@arjo.com

Page intentionally left blank

At Arjo, we believe that empowering movement within healthcare environments is essential to quality care. Our products and solutions are designed to promote a safe and dignified experience through patient handling, medical beds, personal hygiene, disinfection, diagnostics, and the prevention of pressure injuries and venous thromboembolism. With over 6000 people worldwide and 60 years caring for patients and healthcare professionals, we are committed to driving healthier outcomes for people facing mobility challenges.

Arjo AB • Hans Michelsensgatan 10 • 211 20 Malmö • Sweden • +46 10 335 4500

www.arjo.com

